

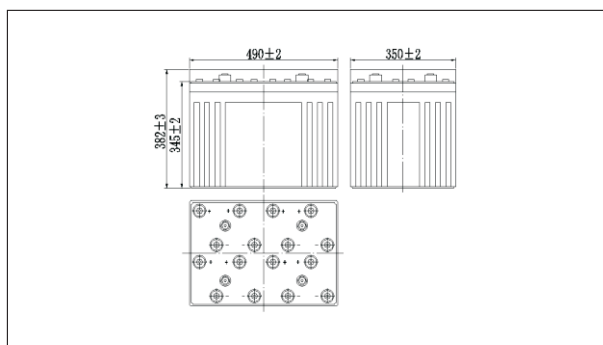
NP2-2000Ah 2V2000Ah

Specifications

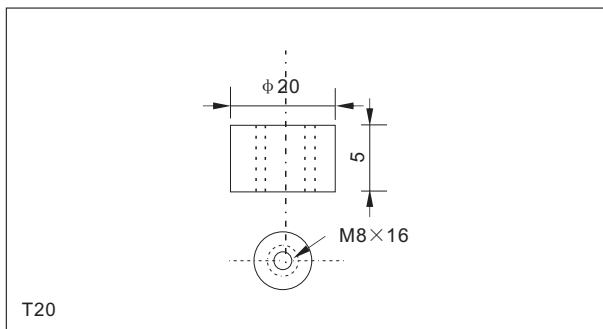
Nominal Voltage		2V
Rated capacity (10 hour rate)		2000Ah
Dimensions	Length	490±2mm(19.29inch)
	Width	350±2mm(13.78inch)
	Height	345±2mm(13.58inch)
	Total Height	382±2mm(15.04inch)
Approx. Weight		126kg(277.8lbs)±3%



Outer dimensions (mm)



Terminal Type (mm)



Characteristics

Capacity (25°C)	10HR(1.8V)	2000Ah
	3HR(1.80V)	1500Ah
	1HR(1.75V)	1100Ah
Terminal type		T20
Internal resistance (Fully charged, 25°C)		Approx. 0.18m Ω
Capacity affected by temperature (10HR)	40°C	102%
	25°C	100%
	0°C	85%
	-15°C	65%
Self-discharge (25°C)	3 months	Remaining Capacity:91%
	6 months	Remaining Capacity:82%
	12 months	Remaining Capacity:65%
Nominal operating temperature		25°C ±3°C(77°F ±5°F)
Operating temperature range	Discharge	-15°C~50°C(5°F~122°F)
	Charge	-10°C~50°C(14°F~122°F)
	Storage	-20°C~50°C(-4°F~122°F)
Float charging voltage(25°C)		2.25 to 2.30V Temperature compensation: -3mV/°C
Cyclic charging voltage(25°C)		2.40 to 2.50V Temperature compensation: -5mV/°C
Maximum charging current		400A
Maximum discharge current		10000A(5 sec.)
Designed floating life(20°C)		15 years

Construction

Component	Positive plate	Negative plate	Container	Cover	Separator	Electrolyte	Safety valve	Terminal
Raw material	lead dioxide	Lead	ABS	ABS	AGM	Sulfuric acid	Rubber	Copper

Constant Current Discharge Characteristics Unit:A(25°C,77°F)

F.V/Time	30min	60min	2h	3h	4h	5h	6h	8h	10h	20h	24h
1.60V	1820	1260	737	530	424	365	314	248	205	108	92.4
1.65V	1784	1222	733	527	422	363	312	246	204	108	92.3
1.70V	1729	1184	726	524	419	361	310	245	204	107	92.0
1.75V	1687	1147	715	520	416	358	308	243	202	107	91.4
1.80V	1625	1109	697	504	404	347	299	236	201	106	90.8

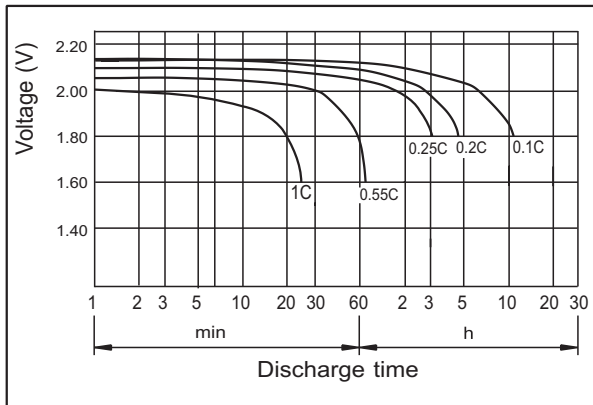
Constant Power Discharge Characteristics Unit:W(25°C,77°F)

F.V/Time	30min	60min	2h	3h	4h	5h	6h	8h	10h	20h	24h
1.60V	3403	2394	1422	1040	832	719	619	493	407	216	186
1.65V	3335	2322	1414	1033	827	715	615	490	406	215	185
1.70V	3233	2250	1401	1026	821	710	611	487	405	215	185
1.75V	3155	2179	1380	1019	815	705	607	484	403	213	184
1.80V	3039	2107	1345	989	791	684	589	469	400	212	183

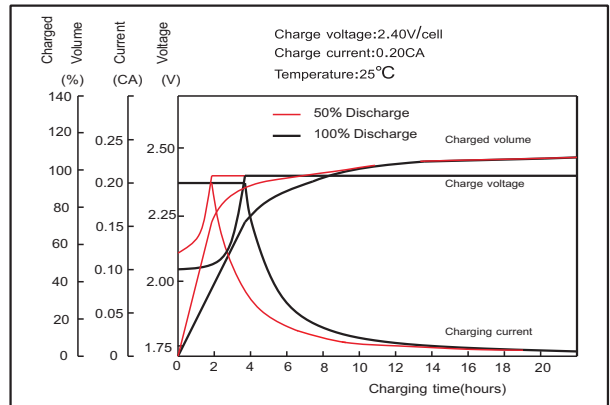
Note: The above characteristics data can be obtained within three charge or discharge cycles.

NP2-2000Ah 2V2000Ah

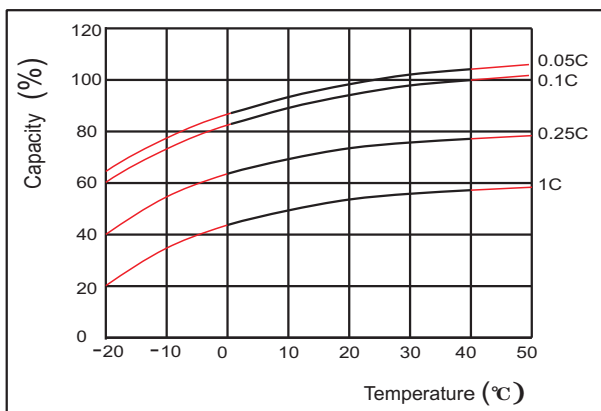
● **Discharge characteristics(25°C)**



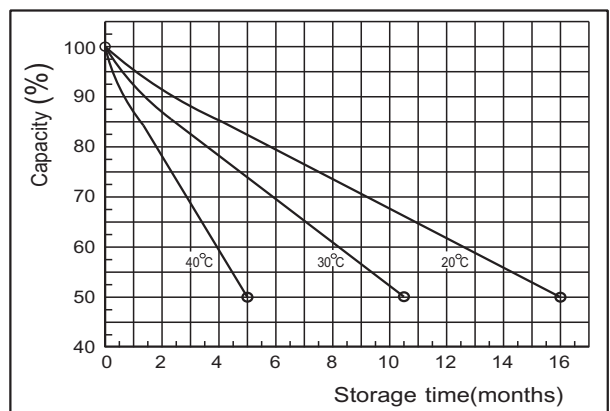
● **Charging characteristics**



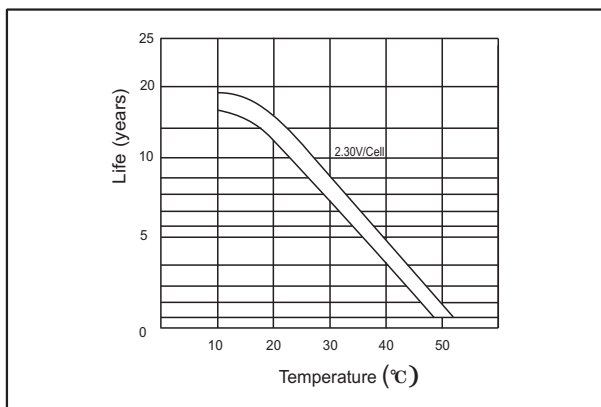
● **Effect of Temperature on Capacity**



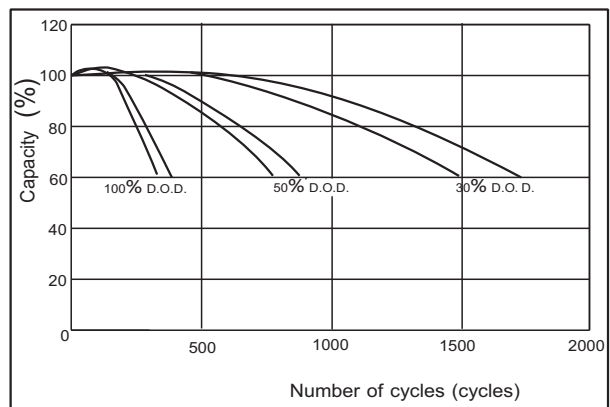
● **Self-discharge characteristics**



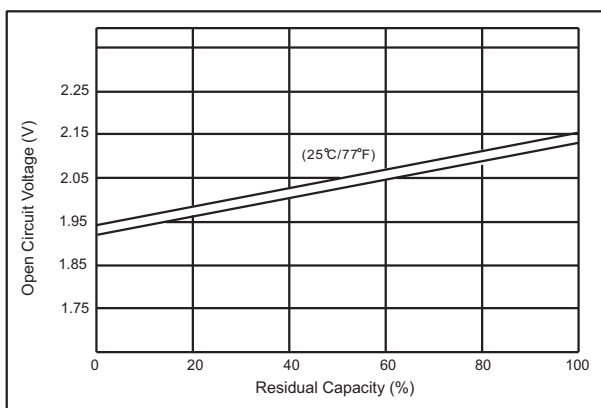
● **Temperature effects on float life**



● **Cycle service life in relation to depth of discharge**



● **The relationship for OCV and Capacity (25°C)**



● **The relationship for Charging voltage and Temperature**

