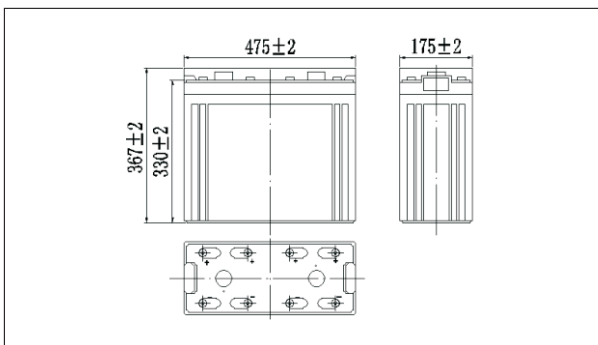


NP2-1000Ah 2V1000Ah

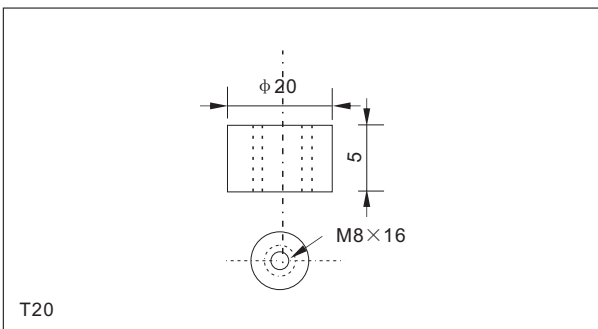
Specifications

| | | |
|-------------------------------|--------------|---------------------|
| Nominal Voltage | | 2V |
| Rated capacity (10 hour rate) | | 1000Ah |
| Dimensions | Length | 475±2mm(18.70inch) |
| | Width | 175±2mm(6.89inch) |
| | Height | 330±2mm(12.99inch) |
| | Total Height | 367±2mm(14.45inch) |
| Approx. Weight | | 60.5kg(133.4lbs)±3% |

Outer dimensions (mm)



Terminal Type (mm)



Construction

| Component | Positive plate | Negative plate | Container | Cover | Separator | Electrolyte | Safety valve | Terminal |
|--------------|----------------|----------------|-----------|-------|-----------|---------------|--------------|----------|
| Raw material | lead dioxide | Lead | ABS | ABS | AGM | Sulfuric acid | Rubber | Copper |

Constant Current Discharge Characteristics Unit:A(25°C,77°F)

| F.V/Time | 15min | 30min | 60min | 2h | 3h | 4h | 5h | 6h | 8h | 10h | 20h |
|----------|-------|-------|-------|-----|-----|-----|-----|-----|-----|-----|------|
| 1.60V | 1390 | 910 | 630 | 368 | 265 | 212 | 183 | 157 | 124 | 102 | 54.0 |
| 1.65V | 1357 | 892 | 611 | 366 | 264 | 211 | 182 | 156 | 123 | 102 | 53.8 |
| 1.70V | 1307 | 865 | 592 | 363 | 262 | 209 | 180 | 155 | 122 | 102 | 53.7 |
| 1.75V | 1262 | 844 | 573 | 358 | 260 | 208 | 179 | 154 | 122 | 101 | 53.4 |
| 1.80V | 1195 | 813 | 554 | 348 | 252 | 202 | 174 | 149 | 118 | 101 | 53.0 |

Constant Power Discharge Characteristics Unit:W(25°C,77°F)

| F.V/Time | 15min | 30min | 60min | 2h | 3h | 4h | 5h | 6h | 8h | 10h | 20h |
|----------|-------|-------|-------|-----|-----|-----|-----|-----|-----|-----|-----|
| 1.60V | 2544 | 1702 | 1197 | 711 | 520 | 416 | 360 | 309 | 247 | 204 | 108 |
| 1.65V | 2483 | 1668 | 1161 | 707 | 517 | 413 | 358 | 308 | 245 | 203 | 108 |
| 1.70V | 2391 | 1617 | 1125 | 701 | 513 | 411 | 355 | 306 | 243 | 203 | 107 |
| 1.75V | 2310 | 1577 | 1089 | 690 | 510 | 408 | 353 | 303 | 242 | 201 | 107 |
| 1.80V | 2188 | 1520 | 1053 | 673 | 494 | 395 | 342 | 294 | 235 | 200 | 106 |

Note: The above characteristics data can be obtained within three charge or discharge cycles.

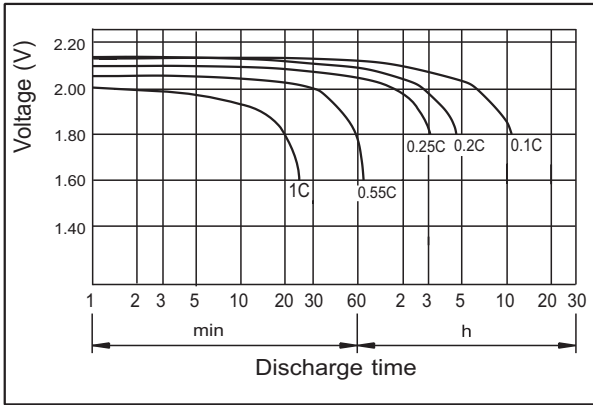


Characteristics

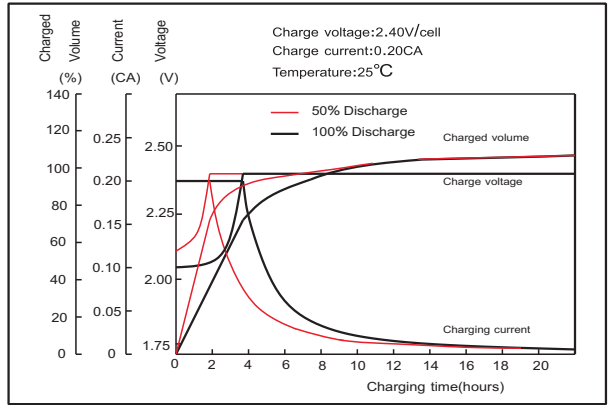
| | | |
|--|------------|--|
| Capacity (25°C) | 10HR(1.8V) | 1000Ah |
| | 3HR(1.80V) | 750Ah |
| | 1HR(1.75V) | 550Ah |
| Terminal type | | T20 |
| Internal resistance (Fully charged,25°C) | | Approx.0.27m Ω |
| Capacity affected by temperature (10HR) | 40°C | 102% |
| | 25°C | 100% |
| | 0°C | 85% |
| | -15°C | 65% |
| Self-discharge (25°C) | 3 months | Remaining Capacity:91% |
| | 6 months | Remaining Capacity:82% |
| | 12 months | Remaining Capacity:65% |
| Nominal operating temperature | | 25°C ±3°C(77°F ±5°F) |
| Operating temperature range | Discharge | -15°C~50°C(5°F~122°F) |
| | Charge | -10°C~50°C(14°F~122°F) |
| | Storage | -20°C~50°C(-4°F~122°F) |
| Float charging voltage(25°C) | | 2.25 to 2.30V Temperature compensation: -3mV/°C |
| Cyclic charging voltage(25°C) | | 2.40 to 2.50V Temperature compensation: -5mV/°C |
| Maximum charging current | | 200A |
| Maximum discharge current | | 5500A(5 sec.) |
| Designed floating life(20°C) | | 15 years |

NP2-1000Ah 2V1000Ah

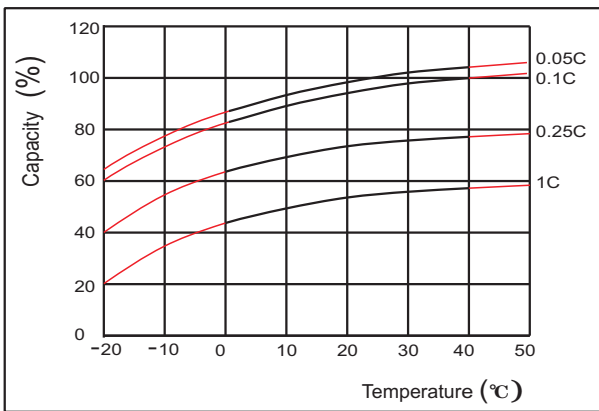
Discharge characteristics(25°C)



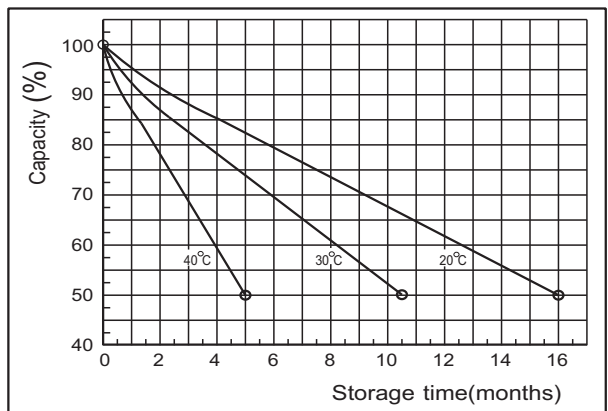
Charging characteristics



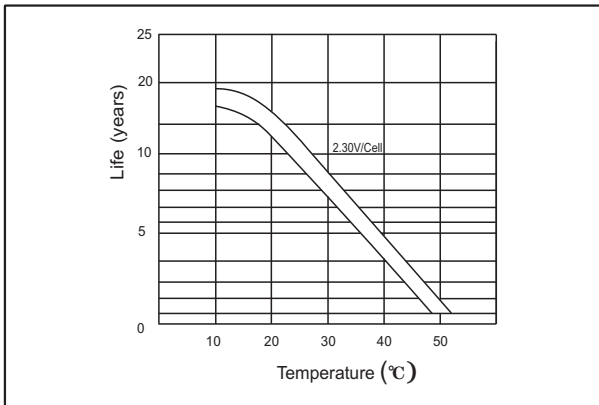
Effect of Temperature on Capacity



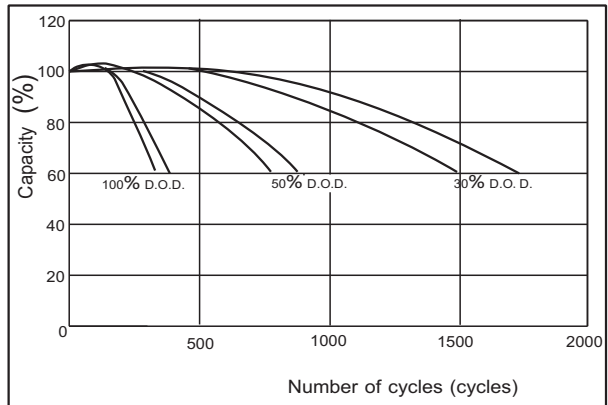
Self-discharge characteristics



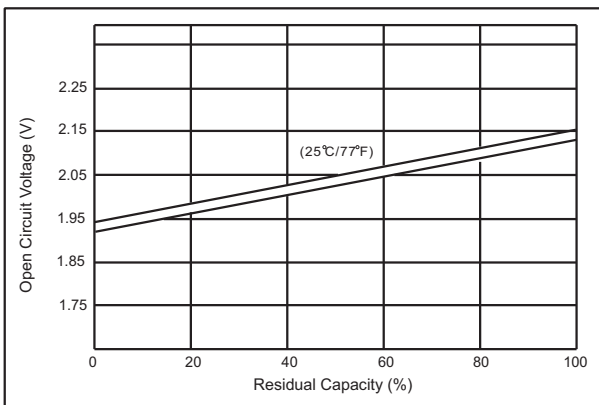
Temperature effects on float life



Cycle service life in relation to depth of discharge



The relationship for OCV and Capacity (25°C)



The relationship for Charging voltage and Temperature

