

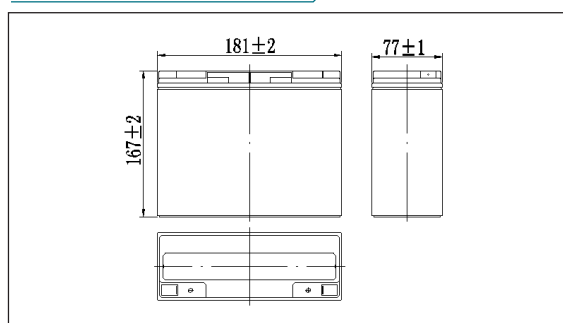
## NP12-15Ah 12V15Ah



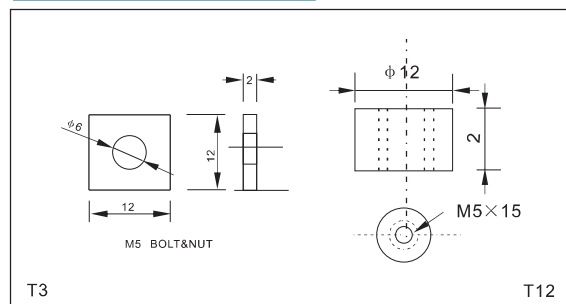
### Specifications

Nominal Voltage	12V	
Rated capacity (20 hour rate)	15Ah	
Dimensions	Length	181±2mm(7.13inch)
	Width	77±1mm(3.03inch)
	Height	167±2mm(6.57inch)
	Total Height	167±2mm(6.57inch)
Approx. Weight	4.8kg(10.6lbs)±4%	

### Outer dimensions (mm)



### Terminal Type (mm)



### Characteristics

Capacity (25°C)	20HR(10.5V)	15Ah
	10HR(10.5V)	14Ah
	1HR(9.60V)	9Ah
Terminal type		T3/T12
Internal resistance (Fully charged, 25°C)		Approx. 18m Ω
Capacity affected by temperature (20HR)	40°C	102%
	25°C	100%
	0°C	85%
	-15°C	65%
Self-discharge (25°C)	3 months	Remaining Capacity:91%
	6 months	Remaining Capacity:82%
	12 months	Remaining Capacity:65%
Nominal operating temperature		25°C ±3°C(77°F ±5°F)
Operating temperature range	Discharge	-15°C~50°C(5°F~122°F)
	Charge	-10°C~50°C(14°F~122°F)
	Storage	-20°C~50°C(-4°F~122°F)
Float charging voltage(25°C)		13.50 to 13.80V Temperature compensation: -18mV/°C
Cyclic charging voltage(25°C)		14.50 to 15.00V Temperature compensation: -30mV/°C
Maximum charging current		4.5A
Maximum discharge current		225A(5 sec.)
Designed floating life(20°C)		5 years

### Construction

Component	Positive plate	Negative plate	Container	Cover	Separator	Electrolyte	Safety valve	Terminal
Raw material	Lead dioxide	Lead	ABS	ABS	AGM	Sulfuric acid	Rubber	Copper

### Constant Current Discharge Characteristics Unit:A(25°C,77°F)

F.V/Time	5min	10min	15min	30min	60min	2h	3h	4h	5h	10h	20h
9.60V	57.3	36.3	28.4	16.0	9.83	5.37	3.72	3.08	2.62	1.42	0.76
9.90V	55.6	35.2	27.7	15.7	9.68	5.34	3.70	3.06	2.60	1.41	0.76
10.2V	53.3	33.8	26.6	15.2	9.43	5.30	3.67	3.04	2.58	1.41	0.75
10.5V	51.0	32.3	25.7	14.8	9.25	5.22	3.65	3.02	2.57	1.40	0.75
10.8V	48.1	30.5	24.4	14.3	8.96	5.08	3.54	2.92	2.49	1.37	0.74

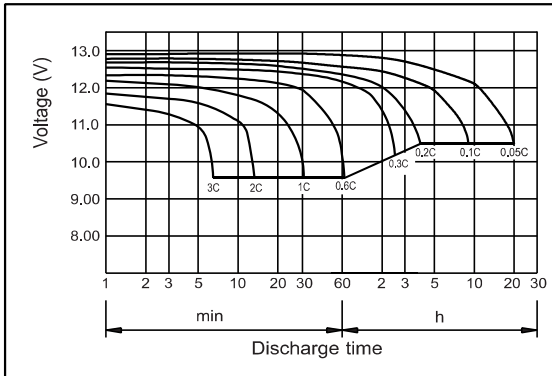
### Constant Power Discharge Characteristics Unit:W(25°C,77°F)

F.V/Time	5min	10min	15min	30min	60min	2h	3h	4h	5h	10h	20h
9.60V	639	409	323	183	114	62.9	44.2	36.6	31.2	17.0	9.14
9.90V	620	397	315	179	112	62.5	43.9	36.4	31.1	17.0	9.10
10.2V	595	381	304	174	109	62.0	43.6	36.2	30.8	16.9	9.05
10.5V	569	364	293	170	107	61.0	43.3	35.9	30.6	16.8	9.00
10.8V	537	344	278	163	104	59.5	42.0	34.8	29.7	16.5	8.82

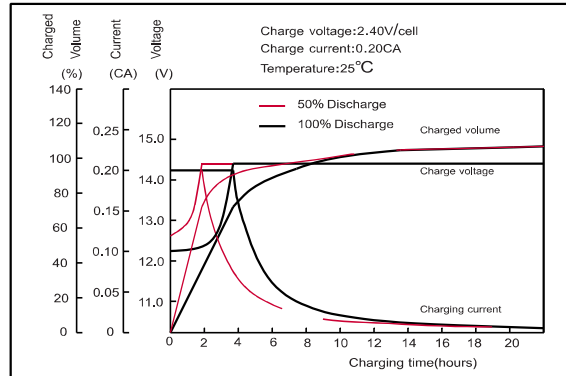
Note: The above characteristics data can be obtained within three charge or discharge cycles.

# NP12-15Ah 12V15Ah

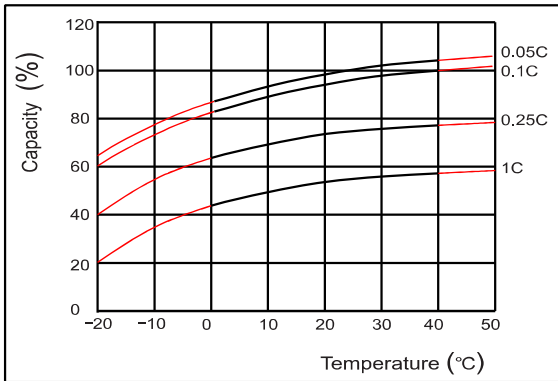
● **Discharge characteristics(25°C)**



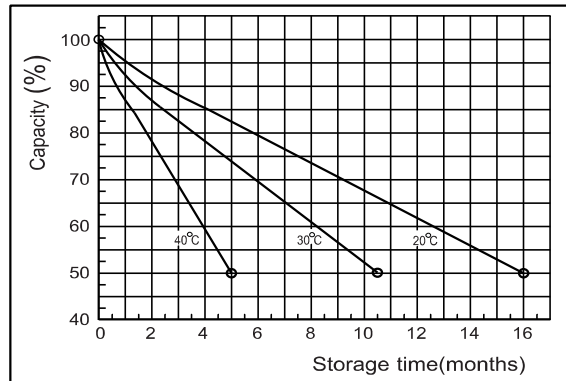
● **Charging characteristics (25°C)**



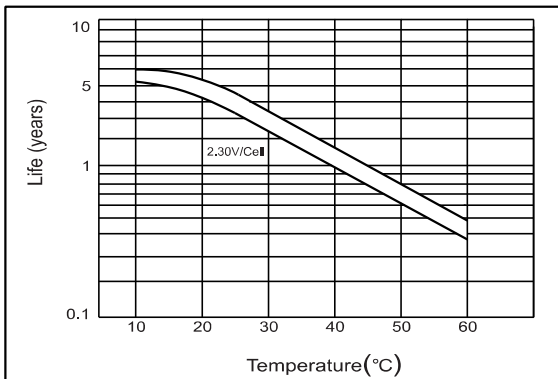
● **Effect of temperature on capacity**



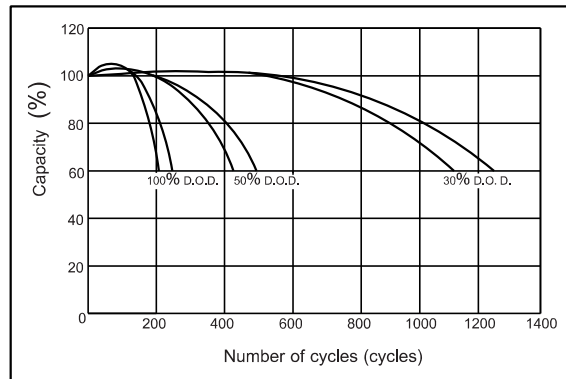
● **Self-discharge characteristics**



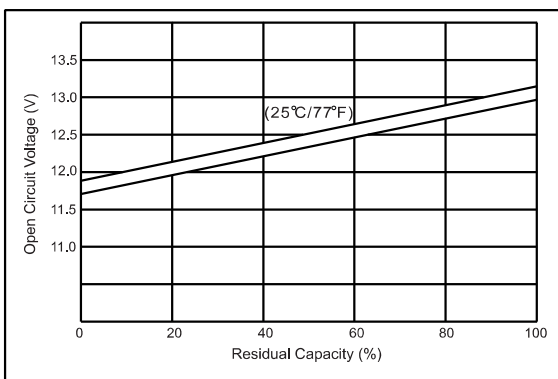
● **Floating life on temperature**



● **Cycle life on D.O.D(25°C)**



● **The relationship for OCV and Capacity (25°C)**



● **The relationship for Charging voltage and Temperature**

