



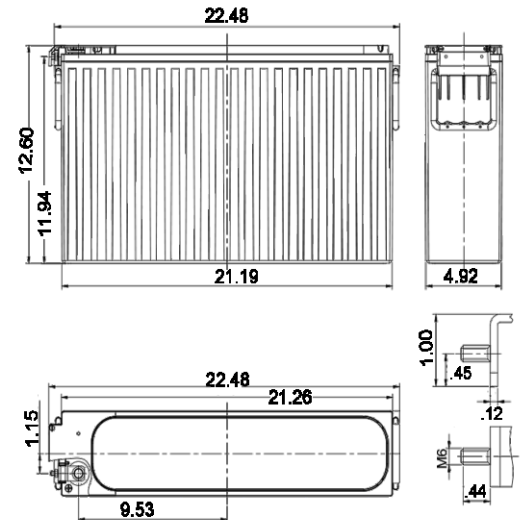
POWER STORAGE SOLUTIONS
 "Power is at the center of everything we do"

12MX1050F

High Rate Pure Lead Five Year Full Warranty Battery

Specifications

Rated Voltage		12V
Nominal Rate (W_{15} , 1.67V/cell)		1052.6 W/cell
Nominal Rate (W_{15} , 1.67V/cell)		730 W/cell
Dimension	Length	22.48 inches (571mm)
	Width	4.92 inches (125mm)
	Total Height	12.60 inches (320mm)
Approx. Weight		134.2 lbs. (61.0 Kg)
Terminal		M6
Container Material		PC-ABS Flame retardant jar and cover to UL94 V-0
Rated Capacity (25°C)	189.6 Ah	(8 hr, 23.7 A, 1.75V/cell)
Max. Discharge Current		1500A
Internal Resistance (25°C)		Approx. 3.0 mΩ (fully charged)
Operating Temp. Range	Discharge	-40 ~ 65 C (5 ~ 122 F)
	Charge	0 ~ 40°C (32 ~ 104°F)
	Storage	-20 ~ 40°C (5 ~ 104°F)
Nominal Operating Temp. Range		77±5° F (25±3°C)
Max. Charging Current (25°C)		60.0 Amps
Charge Voltage (25°C)	Float	13.62 V
	Temp. Coefficient	-3mV/cell/°C
	Equalization	14.1 ~14.4V
Effect of temp. on capacity	40° C (104° F)	103%
	25° C (77° F)	100%
	0° C (32° F)	86%
Self Discharge	12MX series batteries can be stored up to 24 months at 25°C(77°F), For higher temperatures the time interval will be shorter. Battery must be given a freshening charge when the OCV approaches 2.10V/cell or maximum storage storage time is reached, whichever comes first	



Compliance with IEC 68096 standards, CE UL Certified, Manufactured in OHSAS 18001,ISO 9001 and ISO 14001 certified production facilities

Constant Power Discharge (Watts/cell) at 25 ° C (77° F)										
F.V/Time	5 Min	10 Min	15 Min	20 Min	30 Min	45 Min	1 Hr	2 Hr	3 Hr	4 Hr
1.85V/cell	782.0	679.3	602.4	522.0	397.5	295.9	234.9	136.4	98.6	77.8
1.80V/cell	890.5	750.9	668.5	573.2	426.1	312.6	246.4	140.4	101.9	80.0
1.75V/cell	961.6	804.2	707.1	605.8	448.7	326.0	256.5	142.9	103.6	81.6
1.70V/cell	1026.4	848.2	724.8	626.3	466.6	337.9	263.7	146.1	105.5	83.1
1.67V/cell	1052.6	868.6	730.0	644.6	484.2	346.8	265.2	148.1	106.3	83.5
1.60V/cell	1115.8	886.9	736.5	654.3	500.0	353.1	269.4	149.5	106.8	83.9