



## Battery Range Summary

PowerSafe<sup>®</sup> ESG batteries are engineered with proprietary material and design features that deliver robust performance and reliable service life. This makes the ESG battery ideal for challenging load profiles and service conditions. The five 4 volt (187 - 418 Ah) multi-cell unit construction helps to minimize floor space. All PowerSafe ESG batteries have individual posts for each cell to help ease and simplify the integration of battery monitoring and test equipment used in routine maintenance and inspections.

PowerSafe ESG series batteries employ a Slide-Lock<sup>™</sup> post seal that allows for natural plate growth over time for maximum reliability and reduced maintenance. The innovative tongue-and-groove jar-to-cover seal provides a robust airtight seal.

### Features and Benefits

- Capacity range 187 - 935 Ah at the 8 hour rate to 1.75 Vpc @ 77°F (25°C)
- 100% initial capacity
- Five multi-cell 4v units (187, 234, 281, 354 and 418) reduces footprint
- Individual terminals to monitor individual cell performance
- Plated copper terminals with dual hole design
- Thick grids provide excellent long duration discharge performance and long life
- 20 year life expectancy in float service at 77°F (25°C) ambient temperature

## Construction

- 0.28" thick positive plates provide excellent long discharge rates and long life
- Separator – microporous phenolic resin with glass fiber retainers
- Standard jar material Styrene Acrylonitrile (SAN) with flame retardant PVC cover. Optional PC flame retardant jar and cover are available
- Electrolyte – dilute sulfuric acid with specific gravity of 1.215
- Plated copper terminals with dual hole design
- Slide-Lock™ post seal design
- Flame arrestors – included for increased operational safety

## Installation and Operation

- Tin plated copper inter-cell connectors standard; lead plated optional
- Dual posts for high current carrying capability (ESG-19 and above)
- Excellent one minute rate, long duration discharge and complex duty cycle capability for switchgear applications
- 20 year life expectancy in float service at 77°F (25°C)
- Operating temperature: 32°F (0°C) to 104°F (40°C)  
Recommended temperature: 68°F (20°C) to 86°F (30°C)

## Standards

- The management systems governing the manufacture of this product are ISO 9001:2015 and ISO 14001:2004 certified

## General Specifications

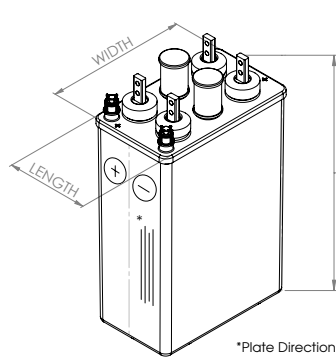
Battery Type*	Nominal Capacity**	Cells per Jar	Nominal Dimensions						Electrolyte (1.215 S.G.)					
			Length†		Width		Height***		Unpacked Weight		Weight (per jar)		Volume (per jar)	
			in	mm	in	mm	in	mm	lbs	kg	lbs	kg	gal	L
<b>2ESG-05</b>	187	2	6.6	168	11.1	282	18.6	472	87	39	26.7	12.1	2.8	10.5
<b>2ESG-07</b>	234	2	6.6	168	11.1	282	18.6	472	107	49	24.3	11.0	2.5	9.5
<b>2ESG-09</b>	281	2	6.6	168	11.1	282	18.6	472	127	58	22.3	10.1	2.3	8.8
<b>2ESG-11</b>	354	2	9.2	234	11.1	282	18.6	472	156	71	27.3	12.4	2.8	10.7
<b>2ESG-13</b>	418	2	9.2	234	11.1	282	18.6	472	177	80	26.4	12.0	2.7	10.4
<b>ESG-15</b>	501	1	6.6	168	11.1	282	18.7	475	117	53	25.6	11.6	2.7	10.0
<b>ESG-17</b>	580	1	6.6	168	11.1	282	18.7	475	127	58	24.9	11.3	2.6	9.8
<b>ESG-19</b>	662	1	8.1	206	11.1	282	18.7	475	152	69	32.4	14.7	3.4	12.7
<b>ESG-21</b>	698	1	8.1	206	11.1	282	18.7	475	162	73	31.7	14.4	3.3	12.4
<b>ESG-23</b>	733	1	8.1	206	11.1	282	18.7	475	172	78	31.3	14.2	3.2	12.3
<b>ESG-25</b>	884	1	10.1	257	11.1	282	18.7	475	195	88	41.0	18.6	4.3	16.1
<b>ESG-27</b>	909	1	10.1	257	11.1	282	18.7	475	205	93	40.3	18.3	4.2	15.8
<b>ESG-29</b>	935	1	10.1	257	11.1	282	18.7	475	215	98	39.8	18.1	4.1	15.6

\* Prefix number indicates cells per jar. Suffix number indicates total plates per cell

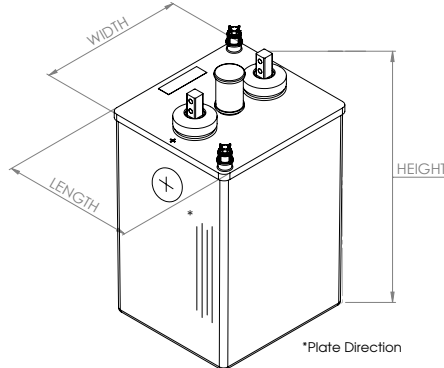
\*\* Nominal Ampere hour capacity at the 8 hour rate to 1.75 volts per cell @ 77°F (25°C)

\*\*\* Total battery height including terminal plate is 23.0 in (584 mm)

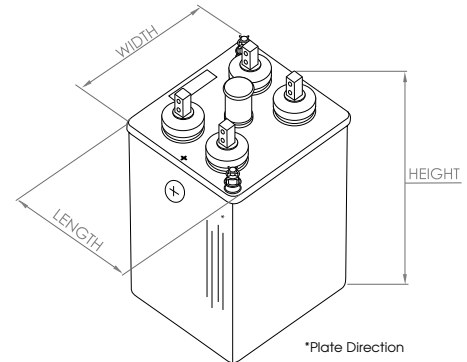
† 0.25 in must be added between units for spacing purposes when calculating total battery length



**2ESG-05 to 2ESG-13**



**ESG-15 to ESG-17**



**ESG-19 to ESG-29**



**EnerSys World Headquarters**  
2366 Bernville Road  
Reading, PA 19605, USA  
Tel: +1-610-208-1991 /  
+1-800-538-3627

**EnerSys EMEA**  
EH Europe GmbH  
Baarerstrasse 18  
6300 Zug  
Switzerland

**EnerSys Asia**  
152 Beach Road  
Gateway East Building #11-03  
Singapore 189721  
Tel: +65 6508 1780