



**POWER STORAGE SOLUTIONS**  
 "Power is at the center of everything we do"

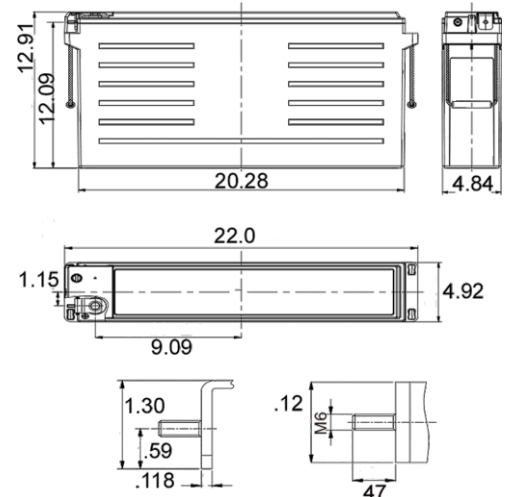
# 12GX210F



Premium ABS+PC jar and covers  
 Flame Retardant to UI94 V-0  
 High Rate performance  
 High Energy Density  
 20 Year Design Life (25°C)  
 High Quality AGM separators  
 minimize electrical resistance to  
 allow high current discharging

Specifications		
Rated Voltage		12V
Nominal Capacity(C <sub>8</sub> , 1.75V/cell)		210 Ah
Dimension	Length	22.01 inches (559mm ± 3mm)
	Length Base	20.27 inches (515.1mm)
	Width	4.92 inches (125mm)
	Container Height	12.9 inches (328mm)
Approx. Weight		133.4 lbs. (60.5 Kg)
Terminal		M6
Container Material		PC-ABS flame retardant jar and cover to UL94 V-0
Rated Capacity (25 °C)	228.0 Ah	(20 hr, 11.7A, 1.80V/cell)
	209.6 Ah	(8 hr, 26.2 A, 1.75V/cell)
	181.8	(3hr, 60.6 A, 1.75V/cell)
Max. Discharge Current		2520A
Internal Resistance (25 °C)		Approx. 2.7mΩ (fully charged)
Operating Temp. Range	Discharge	-40 ~ 65° C (-40 ~ 149° F)
	Charge	0 ~ 40°C (32 ~ 104°F)
	Storage	-20 ~ 40°C (-4 ~ 104°F)
Nominal Operating Temp. Range		77±5° F (25±3°C )
Max. Charging Current (25°C)		63.0 Amps
Charge Voltage (25°C)	Float	13.62 V
	Temp. Coefficient	-3mV/cell/°C
	Equalization	14.1 ~14.4V
Effect of temp. on capacity	40° C (104° F)	103%
	25° C ( 77° F)	100%
	0° C ( 32° F)	86%
Self Discharge	GX series batteries can be stored up to 24 months at 25°C(77°F), For higher temperatures the time interval will be shorter. Battery needs to be given a freshening charge when the OCV approaches 2.10V/cell or maximum storage time is reached, whichever comes first	

## LAYOUT



Compliance with IEC 68096 standards, CE & UL Certified, Manufactured in OHSAS 18001, ISO 9001 and ISO 14001 certified production facilities

Constant Current Discharge (Amperes) at 25 ° C (77° F)						
F.V/Time	2 Hr	3 Hr	4 Hr	5 Hr	8 Hr	10h
1.85V/cell	78.6	57.3	43.0	36.5	24.8	20.3
1.80V/cell	81.4	59.5	44.4	37.8	25.7	21.0
1.75V/cell	83.2	60.6	45.7	38.7	26.2	21.3
1.70V/cell	85.4	62.0	46.6	39.4	26.4	21.6