



POWER STORAGE SOLUTIONS

"Power is at the center of everything we do"

12GX210F



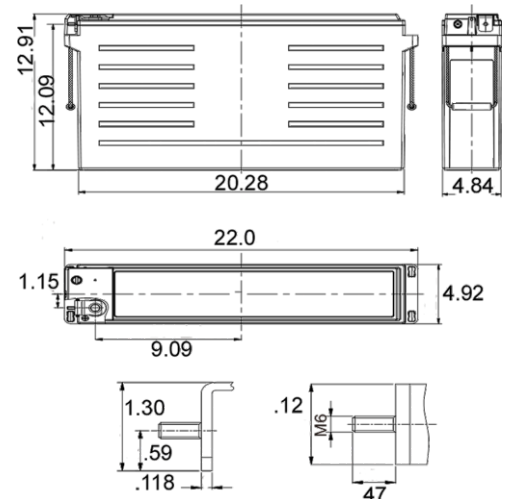
Specifications

Rated Voltage		12V
Nominal Capacity(C ₈ , 1.75V/cell)		210 Ah
Dimension	Length	22.01 inches (559mm ± 3mm)
	Length Base	20.27 inches (515.1mm)
	Width	4.92 inches (125mm)
	Container Height	12.9 inches (328mm)
Approx. Weight		133.4 lbs. (60.5 Kg)
Terminal		M6
Container Material		PC-ABS flame retardant jar and cover to UL94 V-0
Rated Capacity (25° C)	228.0 Ah	(20 hr, 11.7A, 1.80V/cell)
	209.6 Ah	(8 hr, 26.2 A, 1.75V/cell)
	181.8	(3hr, 60.6 A, 1.75V/cell)
	149.4Ah	(1 hr, 149.4A, 1.67V/cell)
Max. Discharge Current		2520A
Internal Resistance (25° C)		Approx. 2.7mΩ (fully charged)
Operating Temp. Range	Discharge	-40 ~ 65° C (-40 ~ 149° F)
	Charge	0 ~ 40° C (32 ~ 104° F)
	Storage	-20 ~ 40° C (-4 ~ 104° F)
Nominal Operating Temp. Range		77±5° F (25±3° C)
Max. Charging Current (25° C)		63.0 Amps
Charge Voltage (25° C)	Float	13.62 V
	Temp. Coefficient	-3mV/cell/°C
	Equalization	14.1 ~ 14.4V
Effect of temp. on capacity	40° C (104° F)	103%
	25° C (77° F)	100%
	0° C (32° F)	86%
Self Discharge	GX series batteries can be stored up to 24 months at 25°C(77°F), For higher temperatures the time interval will be shorter. Battery needs to be given a freshening charge when the OCV approaches 2.10V/cell or maximum storage time is reached, whichever comes first	

Premium ABS+PC jar and covers
 Flame Retardant to UI94 V-0
 High Rate performance
 High Energy Density
 20 Year Design Life (25°C)

High Quality AGM separators
 minimize electrical resistance to
 allow high current discharging

LAYOUT



Compliance with IEC 68096 standards, CE & UL Certified, Manufactured in OHSAS 18001, ISO 9001 and ISO 14001 certified production facilities

Constant Current Discharge (Amperes) at 25 ° C (77° F)

F.V/Time	10 Min	15 Min	20 Min	30 Min	45 Min	1 Hr	2 Hr	3 Hr	4 Hr	5 Hr	8 Hr
1.85V/cell	353.9	298.4	270.3	206.5	161.7	129.2	78.6	57.3	43.0	36.5	24.8
1.80V/cell	396.1	330.3	298.8	222.5	172.0	136.5	81.4	59.5	44.4	37.8	25.7
1.75V/cell	427.4	354.2	318.7	233.0	180.7	143.0	83.2	60.6	45.7	38.7	26.2
1.70V/cell	458.2	374.5	332.6	241.8	188.5	147.7	85.4	62.0	46.6	39.4	26.4
1.67V/cell	479.6	384.8	345.9	246.0	194.5	149.4	87.0	62.7	46.9	39.9	26.5
1.60V/cell	503.3	400.7	355.0	252.6	200.0	152.9	88.4	63.1	47.3	40.3	26.6

Marketed by Power Storage Solutions 10490 Markison Rd. Dallas TX 75238 888-813-5049
www.pwrstoragesolutions.com email team@pwrss1.com