



POWER STORAGE SOLUTIONS
 "Power is at the center of everything we do"

12GX100F

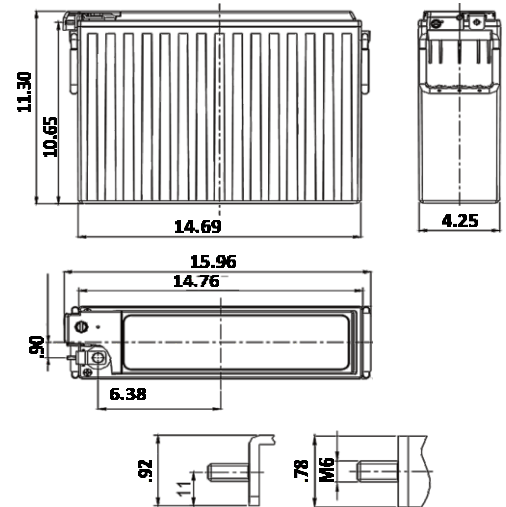


Specifications		
Rated Voltage		12V
Nominal Capacity(C ₈ ,1.75V/cell)		100 Ah
Dimension	Length	15.96 inches (405.4mm ± 3mm)
	Length Base	14.69 inches (373.1mm)
	Width	4.25 inches (108mm)
	Container Height	11.3 inches (287mm)
Approx. Weight		67.9 lbs. (30.8 Kg)
Terminal		M6
Container Material		PC-ABS flame retardant jar and cover to UL94 V-0
Rated Capacity (25° C)	104.8 Ah	(20 hr, 5.24A,1.80V/cell)
	100.0 Ah	(8 hr, 12.5 A,1.75V/cell)
	83.4 Ah	(3hr, 27.8 A,1.75V/cell)
	75.1 Ah	(1 hr, 75.1A,1.67V/cell)
Max. Discharge Current		1200A
Internal Resistance (25° C)		Approx. 4.5mΩ (fully charged)
Operating Temp. Range	Discharge	-40 ~ 65° C (-40 ~ 149° F)
	Charge	0 ~ 40° C (32 ~ 104° F)
	Storage	-20 ~ 40° C (-4 ~ 104° F)
Nominal Operating Temp. Range		77±5° F (25±3° C)
Max. Charging Current (25° C)		30.0 Amps
Charge Voltage (25° C)	Float	13.62 V
	Temp. Coefficient	-3mV/cell/°C
	Equalization	14.1 ~14.4V
Effect of temp. on capacity	40° C (104° F)	103%
	25° C (77° F)	100%
	0° C (32° F)	86%
Self Discharge	GX series batteries can be stored up to 24 months at 25°C(77°F), For higher temperatures the time interval will be shorter. Battery needs to be given a freshening charge when the OCV approaches 2.10V/cell or maximum storage time is reached, whichever comes first	

Premium ABS+PC jar and covers
 Flame Retardant to UI94 V-0
 High Rate performance
 High Energy Density
 20 Year Design Life (25°C)

High Quality AGM separators
 minimize electrical resistance to
 allow high current discharging

LAYOUT



Compliance with IEC 68096 standards, CE & UL Certified, Manufactured in OHSAS 18001, ISO 9001 and ISO 14001 certified production facilities

Constant Current Discharge (Amperes) at 25 ° C (77° F)

F.V/Time	15 Min	30 Min	45 Min	1 Hr	2 Hr	3 Hr	4 Hr	5 Hr	8 Hr
1.85V/cell	152.1	99.7	80.3	66.4	38.0	26.2	22.3	18.3	11.9
1.80V/cell	170.1	105.2	83.9	69.7	39.7	27.4	23.2	18.9	12.2
1.75V/cell	179.3	108.3	86.0	71.4	40.9	27.8	23.6	19.2	12.5
1.70V/cell	189.6	112.2	88.2	72.9	41.6	28.0	24.0	19.4	12.5
1.67V/cell	199.3	116.6	91.0	75.1	42.6	29.3	24.3	19.6	12.5
1.60V/cell	209.6	120.5	93.9	76.5	44.0	29.9	24.5	19.8	12.6