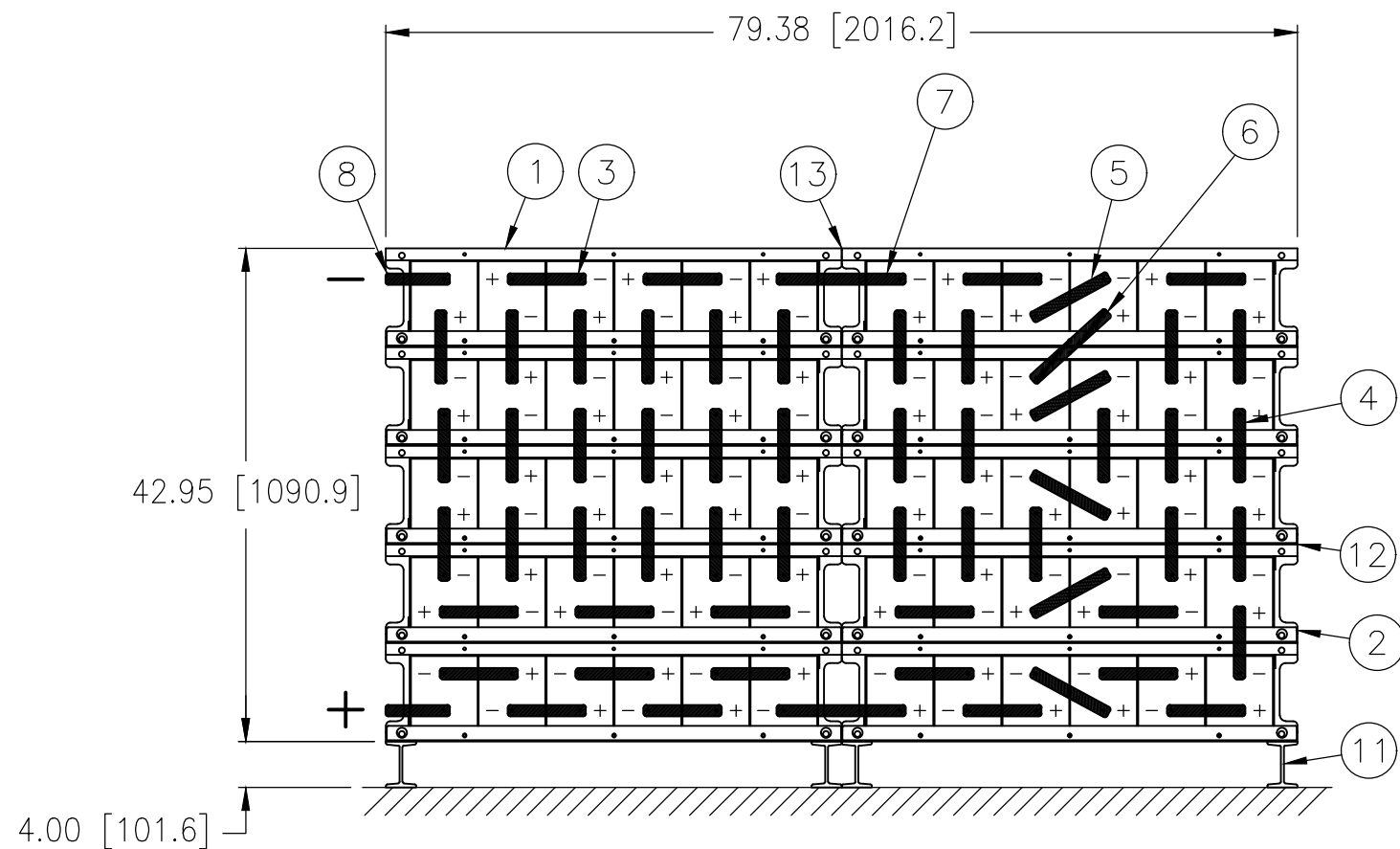


REVISIONS					
ECO NO.	REV	DESCRIPTION	DATE	DRAFT	APPRV
1600544	0	NEW RELEASE	02/18/2016	CD	MJ



NOTES:

- DEPTH COVER TO BACK: 23.56 [598.4]
- APPROXIMATE WEIGHT PER STACK:
5 HIGH: 3185 lbs [1445 kg]
- USE M6 X 25 BOLTS IN ALL POSTS UNLESS OTHERWISE NOTED
- TERMINAL PLATE ASSEMBLIES WILL ADD TO OVERALL DIMENSIONS; CONSULT I&O MANUAL FOR DETAILS.

120	W02-062501	BOLT M6 X 25 A2	NOT SHOWN	18
120	W03-0601	WASHER M6 X 6.4 17.0 3.0 A2	NOT SHOWN	17
2	K17-TPCOV715A	COVER AGP-15 TOP ASSY CLEAR	NOT SHOWN	16
8	K17-ISCOV715A	COVER AGP-15 STD ASSY CLEAR	NOT SHOWN	15
1	K17-418292	KIT 1-60 NUMERALS & GREASE	NOT SHOWN	14
1	K17-417001	KIT TIE PLATE MECH STACK/STACK		13
8	K17-417000	KIT HARDWARE MECH INTERMODULE		12
2	K17-417028	KIT HORIZONTAL SUPPORT		11
1	K17-417003LP	KIT TERMINAL PLATE STANDARD	NOT SHOWN	10
1	K17-400403	KIT AGP ACCESSORY	NOT SHOWN	9
2	L03-410820-006	CONNECTOR 1.00 X .12		8
2	L03-109210-017	CONNECTOR 1.00 X .12		7
1	L03-109210-014	CONNECTOR 1.00 X .12		6
5	L03-109210-012	CONNECTOR 1.00 X .12		5
33	L03-109210-010	CONNECTOR 1.00 X .12		4
18	L03-109210-006	CONNECTOR 1.00 X .12		3
5	M52-609015 (M53-609015)	006AGP 09015W -+---+-		2
5	M52-6090153 (M53-6090153)	006AGP 09015W -+-+--+		1
X	M87-060-09015-025ADM(V)	60-90G15 MEDIUM		X
QTY	PART OR IDENT NO.	NOMENCLATURE OR DESCRIPTION	REMARKS	ITEM

PARTS LIST

UNLESS OTHERWISE SPECIFIED DIMENSIONS ARE IN INCHES TOLERANCES ARE:		THE USE OF INFORMATION CONTAINED HEREIN IS RESTRICTED FOR THE BENEFIT OF STRYTEN MANUFACTURING LLC ONLY. UNAUTHORIZED USE OR DISCLOSURE, COPYING OR OTHERWISE REPRODUCING (IN ANY MANNER) ANY PORTION OF THIS DRAWING WITHOUT PRIOR WRITTEN PERMISSION OF AN AUTHORIZED OFFICIAL OF STRYTEN MANUFACTURING LLC, IS PROHIBITED.			
DECIMALS	[MM]	FRACTIONAL	ANGLE		
.X±	X±	±	±	TITLE	
.XX±	0.X±			60 CELL ABSOLYTE 90G15 (V-0)	
.XXX±	0.XX±			2 STACKS/5 HIGH	
	DO NOT SCALE DRAWING			60-179 MINUTES BACKUP TO 1.75 VPC	
MATERIAL:	V-0 MATERIAL DENOTED BY ()	DRAWN	C. DANNER	DATE	02/18/2016
		CHECK	C. DANNER	DATE	02/18/2016
		DESIGN	C. DANNER	DATE	02/18/2016
PROCESS:		THIRD ANGLE PROJECTION	CAD REFERENCE	SIZE	CAGE CODE
			CREATED WITH AC	B	88219
		REMOVE ALL BURRS AND BREAK SHARP EDGES	DIMENSIONS IN [] ARE MILLIMETERS	DRAWING NO.	440679
				REV	0
				SCALE: 1/16	SHEET 1 OF 1

Z66-440679	AA
M87-060-09015-025ADMV	AA
M87-060-09015-025ADM	AA
PART NUMBER	PART REV