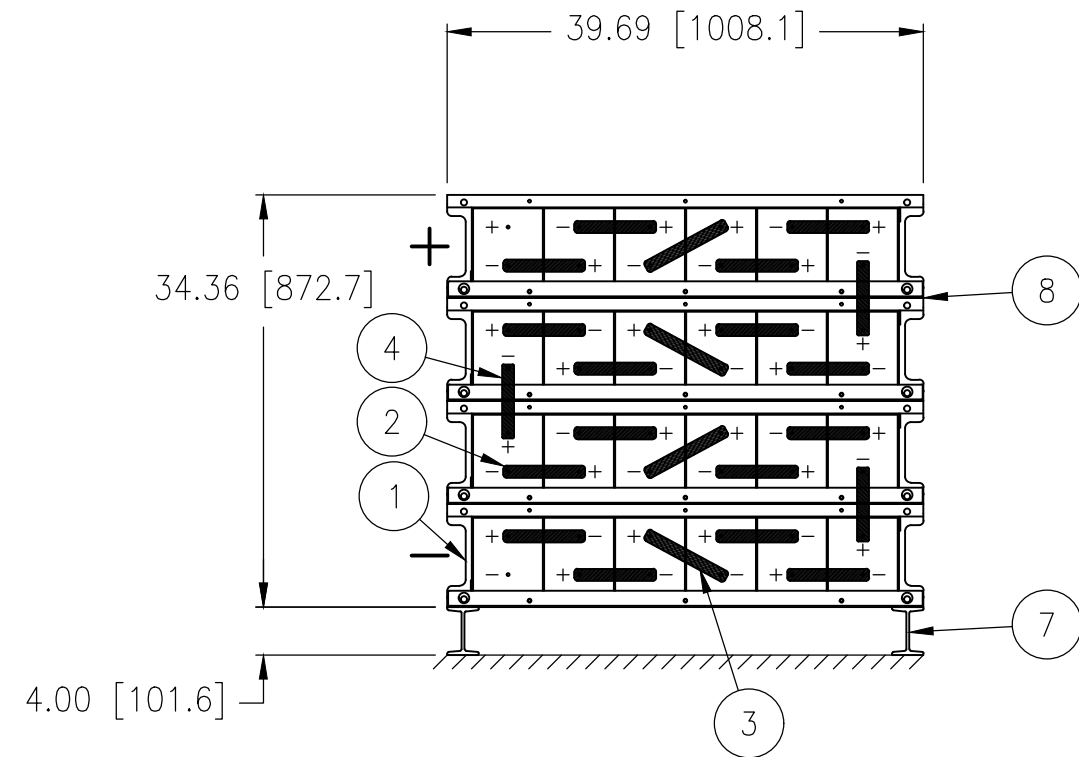


REVISIONS					
ECO NO.	REV	DESCRIPTION	DATE	DRAFT	APPRV
I1100017	-	NEW RELEASE	10/05/11	PWM	PWM



NOTES:

1. DEPTH COVER TO BACK: 23.56 [598.4]
2. APPROXIMATE WEIGHT PER STACK:
4 HIGH: 2548 lbs [1157 kg]
3. USE M6 X 25 BOLTS IN ALL POSTS UNLESS OTHERWISE NOTED.

48	W02-062501	BOLT M6 X 25 A2	NOT SHOWN	12
48	W03-0601	WASHER M6 X 6.4 17.0 3.0 A2	NOT SHOWN	11
1	K17-TPCOV715A	KIT COVER AGP-15 TOP ASSY CLEAR	NOT SHOWN	10
3	K17-ISCOV715A	KIT COVER AGP-15 STD ASSY CLEAR	NOT SHOWN	9
3	K17-417000	KIT HARDWARE MECH INTERMOD		8
1	K17-417028	KIT HORIZONTAL SUPPORT		7
1	K17-417002	KIT TERMINAL PLATE LOW 2POST	NOT SHOWN	6
1	K17-400403	KIT AGP ACCESSORY	NOT SHOWN	5
3	L17-109209-010	CONNECTOR .75 X .06		4
4	L17-109209-012	CONNECTOR .75 X .06		3
16	L17-109209-006	CONNECTOR .75 X .06		2
4	M52-609015 (M53-609015)	006AGP 09015W -+--+		1
X	M87-024-09015-014ACL(V)	24-90G15 LOW		X
QTY	PART OR IDENT NO.	NOMENCLATURE OR DESCRIPTION	REMARKS	ITEM

PARTS LIST

UNLESS OTHERWISE SPECIFIED DIMENSIONS ARE IN INCHES TOLERANCES ARE:		THE USE OF INFORMATION CONTAINED HEREIN IS RESTRICTED FOR THE BENEFIT OF STRYTEN MANUFACTURING LLC ONLY. UNAUTHORIZED USE OR DISCLOSURE, COPYING OR OTHERWISE REPRODUCING (IN ANY MANNER) ANY PORTION OF THIS DRAWING WITHOUT PRIOR WRITTEN PERMISSION OF AN AUTHORIZED OFFICIAL OF STRYTEN MANUFACTURING LLC, IS PROHIBITED.			
DECIMALS	[MM]	FRACTIONAL	ANGLE		
.X±	X±	±	±	TITLE	
.XX±	0.X±			24 CELL ABSOLUTE 90G15 (V/O)	
.XXX±	0.XX±			1 STACK/ 4 HIGH	
	DO NOT SCALE DRAWING			3 HOURS OR LONGER BACKUP TO 1.75 VPC	
MATERIAL:	V/O SYSTEM DENOTED BY ()	DRAWN	P. MATTALIANO	DATE	10/05/11
PROCESS:		CHECK	P. MATTALIANO	DATE	10/05/11
		DESIGN	P. MATTALIANO	DATE	10/05/11
		THIRD ANGLE PROJECTION	CAD REFERENCE	SIZE	B
			CREATED WITH AC	CAGE CODE	88219
				DRAWING NO.	438634
				REV	-
				SCALE:	1/16
				THIS DWG. SUPERCEDES	
				SHEET	1 OF 1

Z66-438634	AA
M87-024-09015-014ACLV	AA
M87-024-09015-014ACL	AA
PART NUMBER	PART REV