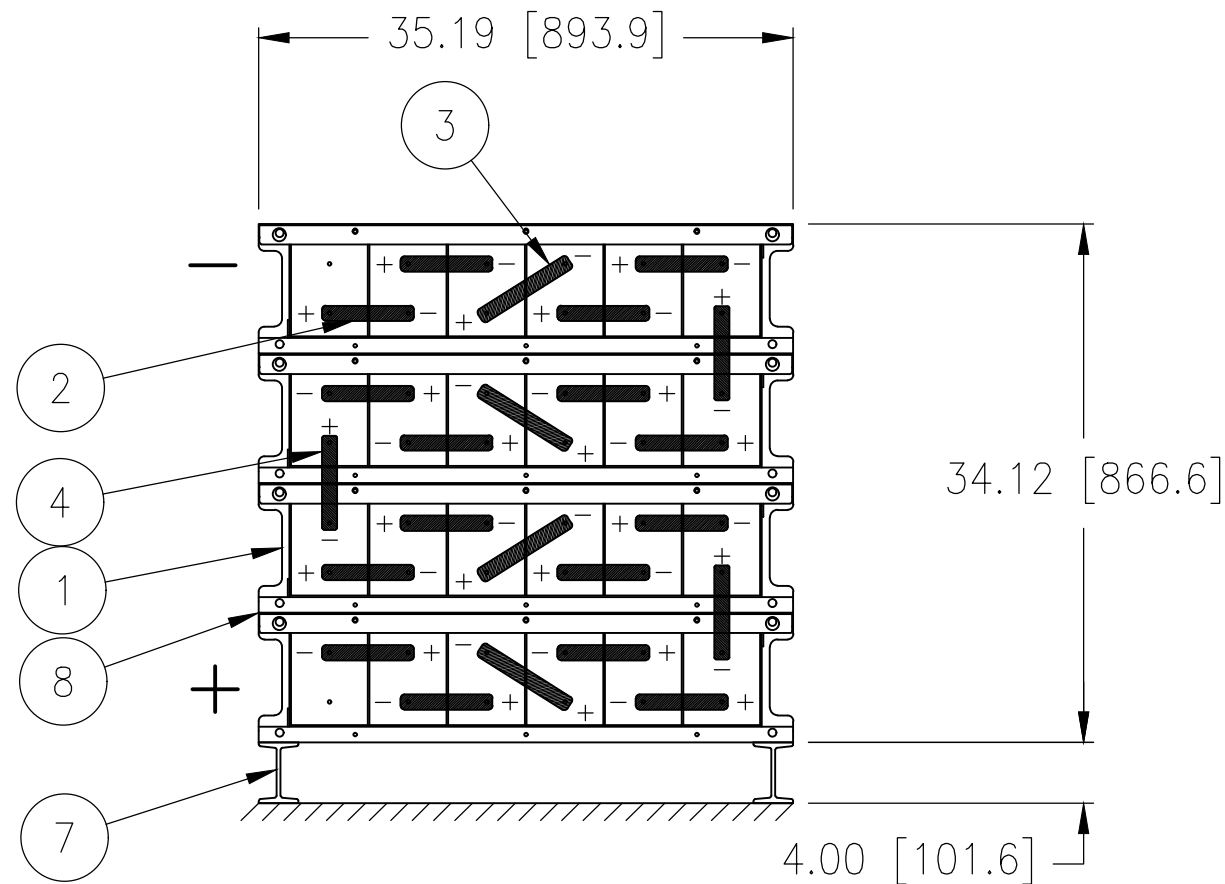


REVISIONS					
ECO NO.	REV	DESCRIPTION	DATE	DRAFT	APPRV
<b>10900762</b>	-	NEW RELEASE	09/03/12	TR	CD

NOTES:

1. DEPTH COVER TO BACK: 23.56 [598.4]
2. APPROXIMATE WEIGHT PER STACK:  
4 HIGH: 2228 lbs [1011 kg]
3. USE M6 X 25 BOLTS IN ALL POSTS UNLESS OTHERWISE NOTED.



48	W02-062501	BOLT M6 X 25 A2	NOT SHOWN	12
48	W03-0601	WASHER M6 X 6.4 17.0 3.0 A2	NOT SHOWN	11
1	K17-TPCOV713A	KIT COVER AGP-13 TOP ASSY CLEAR	NOT SHOWN	10
3	K17-ISCOV713A	KIT COVER AGP-13 STD ASSY CLEAR	NOT SHOWN	9
3	K17-417000	KIT HARDWARE MECH INTERMOD		8
1	K17-417028	KIT HORIZONTAL SUPPORT		7
1	K17-417002	KIT TERMINAL PLATE LOW 2POST	NOT SHOWN	6
1	K17-400403	KIT AGP ACCESSORY	NOT SHOWN	5
3	L17-109209-010	CONNECTOR .75 X .06		4
4	L17-109209-011	CONNECTOR .75 X .06		3
16	L17-109209-005	CONNECTOR .75 X .06		2
4	M52-609013 (M53-609013)	006AGP 09013W -+---+-		1
X	M87-024-09013-014ADL(V)	24-90G13 LOW		X
QTY	PART OR IDENT NO.	NOMENCLATURE OR DESCRIPTION	REMARKS	ITEM

PARTS LIST

UNLESS OTHERWISE SPECIFIED DIMENSIONS ARE IN INCHES TOLERANCES ARE:		THE USE OF INFORMATION CONTAINED HEREIN IS RESTRICTED FOR THE BENEFIT OF STRYTEN MANUFACTURING LLC ONLY. UNAUTHORIZED USE OR DISCLOSURE, COPYING OR OTHERWISE REPRODUCING (IN ANY MANNER) ANY PORTION OF THIS DRAWING WITHOUT PRIOR WRITTEN PERMISSION OF AN AUTHORIZED OFFICIAL OF STRYTEN MANUFACTURING LLC, IS PROHIBITED.			
DECIMALS	[MM]	FRACTIONAL	ANGLE		
.X±	X±	±	±	TITLE	
.XX±	0.X±			24 CELL ABSOLUTE 90G13 (V/O)	
.XXX±	0.XX±			1 STACK / 4 HIGH	
	DO NOT SCALE DRAWING			3 HOURS OR LONGER BACKUP TO 1.75 VPC	
MATERIAL:	V/O SYSTEM DENOTED BY ( )	DRAWN	DATE	SIZE	CAGE CODE
		T. RABBANI	09/03/12	B	88219
PROCESS:		CHECK	DATE	DRAWING NO.	REV
		C. DANNER	09/03/12	437956	-
		DESIGN	DATE	SCALE: 1/16	THIS DWG. SUPERCEDES
		P. MATTALIANO	09/03/12		SHEET 1 OF 1
		THIRD ANGLE PROJECTION	CAD REFERENCE		
			CREATED WITH AC		
	REMOVE ALL BURRS AND BREAK SHARP EDGES		DIMENSIONS IN [ ] ARE MILLIMETERS		

Z66-437956	AA
M87-024-09013-014ADLV	AA
M87-024-09013-014ADL	AA
PART NUMBER	PART REV