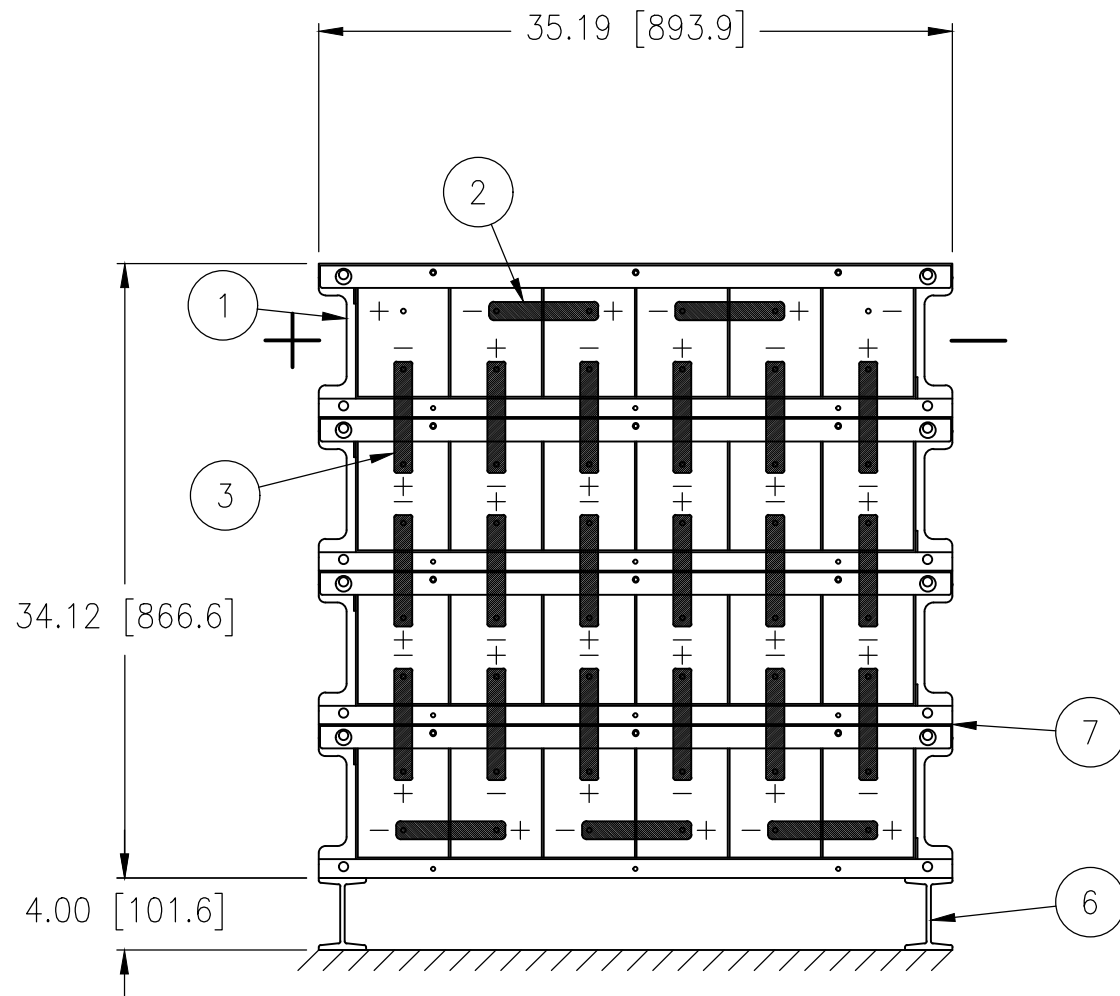


REVISIONS					
ECO NO.	REV	DESCRIPTION	DATE	DRAFT	APPRV
<b>I1200073</b>	-	NEW RELEASE	11/04/28	PWM	PWM



**NOTES:**

- DEPTH COVER TO BACK: 23.56 [598.4]
- APPROXIMATE WEIGHT PER STACK:  
4 HIGH: 2228 lbs [1012 kg]
- USE M6 X 25 BOLTS IN ALL POSTS UNLESS OTHERWISE NOTED.

QTY	PART OR IDENT NO.	NOMENCLATURE OR DESCRIPTION	REMARKS	ITEM
48	W02-062501	BOLT M6 X 25 A2	NOT SHOWN	11
48	W03-0601	WASHER M6 X 6.4 17.0 3.0 A2	NOT SHOWN	10
1	K17-TPCOV713A	KIT COVER AGP-13 TOP ASSY CLEAR	NOT SHOWN	9
3	K17-ISCOV713A	KIT COVER AGP-13 STD ASSY CLEAR	NOT SHOWN	8
3	K17-417000	KIT HARDWARE MECH INTERMOD		7
1	K17-417028	KIT HORIZONTAL SUPPORT		6
1	K17-417002	KIT TERMINAL PLATE LOW 2POST	NOT SHOWN	5
1	K17-400403	KIT AGP ACCESSORY	NOT SHOWN	4
18	L17-109209-010	CONNECTOR .75 X .06		3
5	L17-109209-005	CONNECTOR .75 X .06		2
4	M52-6090131 (M53-6090131)	006AGP 09013W +-+--+-		1
X	M87-024-09013-014ABL(V)	24-90G13 LOW		X

PARTS LIST

UNLESS OTHERWISE SPECIFIED DIMENSIONS ARE IN INCHES TOLERANCES ARE:		THE USE OF INFORMATION CONTAINED HEREIN IS RESTRICTED FOR THE BENEFIT OF STRYTEN MANUFACTURING LLC ONLY. UNAUTHORIZED USE OR DISCLOSURE, COPYING OR OTHERWISE REPRODUCING (IN ANY MANNER) ANY PORTION OF THIS DRAWING WITHOUT PRIOR WRITTEN PERMISSION OF AN AUTHORIZED OFFICIAL OF STRYTEN MANUFACTURING LLC, IS PROHIBITED.			
DECIMALS	[MM]	FRACTIONAL	ANGLE		
.X±	X±	±	±	TITLE	
.XX±	0.X±			24 CELL ABSOLYTE 90G13 (V/O)	
.XXX±	0.XX±			1 STACK/4 HIGH	
	DO NOT SCALE DRAWING			3 HOURS OR LONGER BACKUP TO 1.75 VPC	
MATERIAL: V/O SYSTEM DENOTED BY ( )		DRAWN	P. MATTALIANO	DATE	11/04/28
PROCESS:		CHECK	P. MATTALIANO	DATE	11/04/28
		DESIGN	P. MATTALIANO	DATE	11/04/28
		THIRD ANGLE PROJECTION		SIZE	B
				CAGE CODE	88219
				DRAWING NO.	438982
				REV	-
REMOVE ALL BURRS AND BREAK SHARP EDGES		DIMENSIONS IN [ ] ARE MILLIMETERS		SCALE: 3/32	THIS DWG. SUPERCEDES
				SHEET	1 OF 1

Z66-438982	AA
M87-024-09013-014ABLV	AA
M87-024-09013-014ABL	AA
PART NUMBER	PART REV