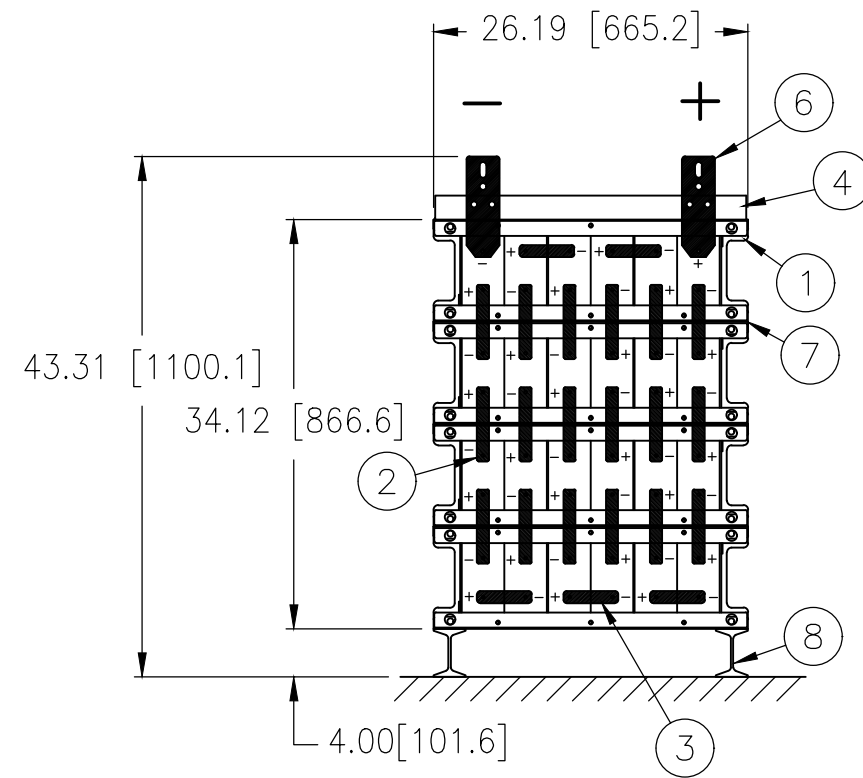


| REVISIONS | | | | | |
|-----------------|-----|-------------|----------|-------|-------|
| ECO NO. | REV | DESCRIPTION | DATE | DRAFT | APPRV |
| 10900762 | - | NEW RELEASE | 09/03/10 | TR | CD |

NOTES:

1. DEPTH COVER TO BACK: 23.56 [598.4]
2. APPROXIMATE WEIGHT PER STACK:
4 HIGH: 1584 lbs [719 kg]
3. USE M6 X 25 BOLTS IN ALL POSTS
UNLESS OTHERWISE NOTED.



| | | | | |
|-----|---------------------------|-----------------------------|-----------|------|
| 48 | W02-062501 | BOLT M6 X 25 A2 | NOT SHOWN | 12 |
| 48 | W03-0601 | WASHER M6 X 6.4 17.0 3.0 A2 | NOT SHOWN | 11 |
| 1 | K17-TPCOV709A | COVER AGP-09 TOP ASSY CLEAR | NOT SHOWN | 10 |
| 3 | K17-ISCOV709A | COVER AGP-09 STD ASSY CLEAR | NOT SHOWN | 9 |
| 3 | K17-417000 | KIT HARDWARE MECH INTERMOD | | 8 |
| 1 | K17-417028 | KIT HORIZONTAL SUPPORT | | 7 |
| 1 | K17-417270 | KIT TOP TERM PLATE 9-11 PLT | | 6 |
| 1 | K17-400403 | KIT AGP ACCESSORY | NOT SHOWN | 5 |
| 1 | S11-420625-009 | BRACKET TERM PLATE SUPPORT | | 4 |
| 18 | L17-109209-010 | CONNECTOR .75 X .06 | | 3 |
| 5 | L17-109209-003 | CONNECTOR .75 X .06 | | 2 |
| 4 | M52-6090093 (M53-6090093) | 006AGP 09009W -+-+-- | | 1 |
| X | M87-024-09009-014TAL(V) | 24-90G09 LOW | | X |
| QTY | PART OR IDENT NO. | NOMENCLATURE OR DESCRIPTION | REMARKS | ITEM |

PARTS LIST

| | | | | | |
|---|-------|---|----------|--|--|
| UNLESS OTHERWISE SPECIFIED DIMENSIONS ARE IN INCHES TOLERANCES ARE: | | THE USE OF INFORMATION CONTAINED HEREIN IS RESTRICTED FOR THE BENEFIT OF STRYTEN MANUFACTURING LLC ONLY. UNAUTHORIZED USE OR DISCLOSURE, COPYING OR OTHERWISE REPRODUCING (IN ANY MANNER) ANY PORTION OF THIS DRAWING WITHOUT PRIOR WRITTEN PERMISSION OF AN AUTHORIZED OFFICIAL OF STRYTEN MANUFACTURING LLC, IS PROHIBITED. | | | |
| DECIMALS | [MM] | FRACTIONAL | ANGLE | | |
| .X± | X± | ± | ± | TITLE 24 CELL ABSOLYTE 90G09 (V/0) 1 STACK/4 HIGH 3 HOURS OR LONGER BACKUP TO 1.75 VPC | |
| .XX± | 0.X± | | | | |
| .XXX± | 0.XX± | | | SIZE B | |
| DO NOT SCALE DRAWING | | | | | |
| MATERIAL: | | DRAWN | DATE | CAGE CODE 88219 | |
| V/0 SYSTEM DENOTED BY () | | T. RABBANI | 09/03/10 | | |
| PROCESS: | | CHECK | DATE | DRAWING NO. 438109 | |
| | | C. DANNER | 09/03/10 | | |
| | | DESIGN | DATE | REV - | |
| | | P. MATTALIANO | 09/03/10 | | |
| | | THIRD ANGLE PROJECTION | | SCALE: 1/16 | |
| | | CAD REFERENCE | | | |
| REMOVE ALL BURRS AND BREAK SHARP EDGES | | | | THIS DWG. SUPERCEDES | |
| DIMENSIONS IN [] ARE MILLIMETERS | | | | SHEET 1 OF 1 | |

| | |
|-----------------------|----------|
| Z66-438109 | AA |
| M87-024-09009-014TALV | AA |
| M87-024-09009-014TAL | AA |
| PART NUMBER | PART REV |