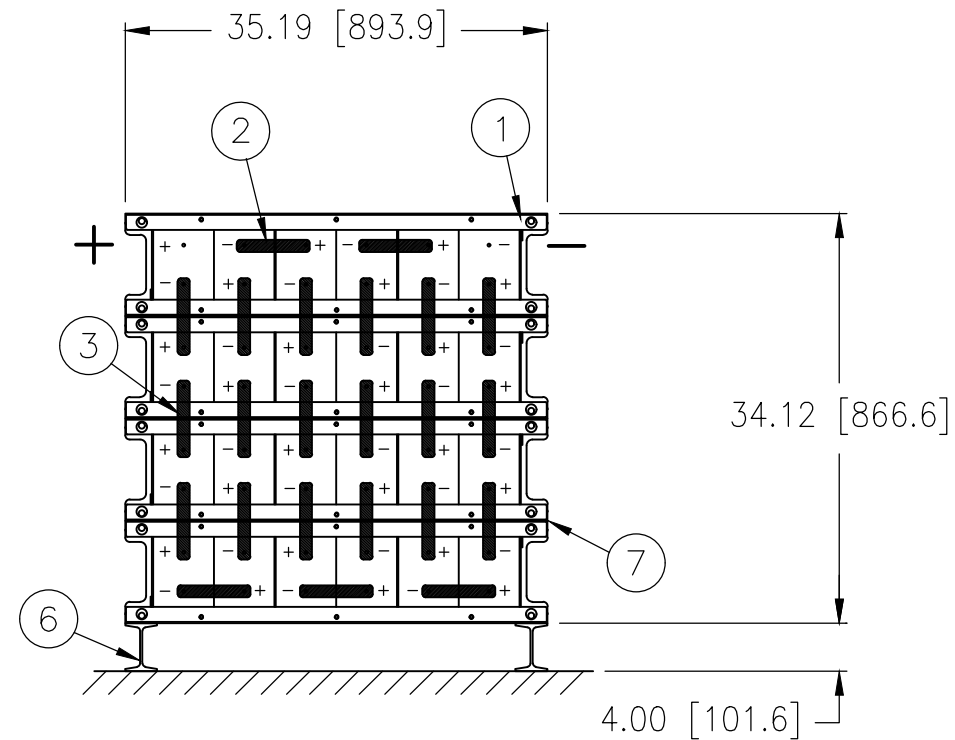


REVISIONS					
ECO NO.	REV	DESCRIPTION	DATE	DRAFT	APPRV
11000320	-	NEW RELEASE	09/11/05	PWM	PWM

NOTES:

- DEPTH COVER TO BACK: 16.22 [412.0]
- APPROXIMATE WEIGHT PER STACK:
4 HIGH: 1424 lbs [646 kg]
- USE M6 X 25 BOLTS IN ALL POSTS UNLESS OTHERWISE NOTED.



48	W02-062501	BOLT M6 X 25 A2	NOT SHOWN	11
48	W03-0601	WASHER M6 X 6.4 17.0 3.0 A2	NOT SHOWN	10
1	K17-TPCOV713A	COVER AGP-13 TOP ASSY CLEAR	NOT SHOWN	9
3	K17-ISCOV713A	COVER AGP-13 STD ASSY CLEAR	NOT SHOWN	8
3	K17-417000	KIT HARDWARE MECH INTERMOD		7
1	K17-417026	KIT HORIZONTAL SUPPORT		6
1	K17-417002	KIT TERMINAL PLATE LOW 2POST	NOT SHOWN	5
1	K17-400403	KIT AGP ACCESSORY	NOT SHOWN	4
18	L17-109209-010	CONNECTOR .75 X .06		3
5	L17-109209-005	CONNECTOR .75 X .06		2
4	M52-6050131 (M53-6050131)	006AGP 05013W +-+--+		1
X	M87-024-05013-014ABL(V)	24-50G13 LOW		X
QTY	PART OR IDENT NO.	NOMENCLATURE OR DESCRIPTION	REMARKS	ITEM

PARTS LIST

UNLESS OTHERWISE SPECIFIED DIMENSIONS ARE IN INCHES TOLERANCES ARE:		THE USE OF INFORMATION CONTAINED HEREIN IS RESTRICTED FOR THE BENEFIT OF STRYTEN MANUFACTURING LLC ONLY. UNAUTHORIZED USE OR DISCLOSURE, COPYING OR OTHERWISE REPRODUCING (IN ANY MANNER) ANY PORTION OF THIS DRAWING WITHOUT PRIOR WRITTEN PERMISSION OF AN AUTHORIZED OFFICIAL OF STRYTEN MANUFACTURING LLC, IS PROHIBITED.			
DECIMALS	[MM]	FRACTIONAL	ANGLE		
.X±	X±	±	±	TITLE 24 CELL ABSOLYTE 50G13 (V/0) 1 STACK/4 HIGH 3 HOURS OR LONGER BACKUP TO 1.75 VPC	
.XX±	0.X±				
.XXX±	0.XX±			SIZE B	
DO NOT SCALE DRAWING					
MATERIAL:		DRAWN	DATE	CAGE CODE 88219	
V/0 SYSTEM DENOTED BY ()		P. MATTALIANO	09/11/05		
PROCESS:		CHECK	DATE	DRAWING NO. 438474	
		P. MATTALIANO	09/11/05		
		DESIGN	DATE	REV -	
		P. MATTALIANO	09/11/05		
		THIRD ANGLE PROJECTION	CAD REFERENCE	SCALE: 1/16 THIS DWG. SUPERCEDES	
			CREATED WITH AC		
REMOVE ALL BURRS AND BREAK SHARP EDGES		DIMENSIONS IN [] ARE MILLIMETERS		SHEET 1 OF 1	

Z66-438474	AA
M87-024-05013-014ABLV	AA
M87-024-05013-014ABL	AA
PART NUMBER	PART REV