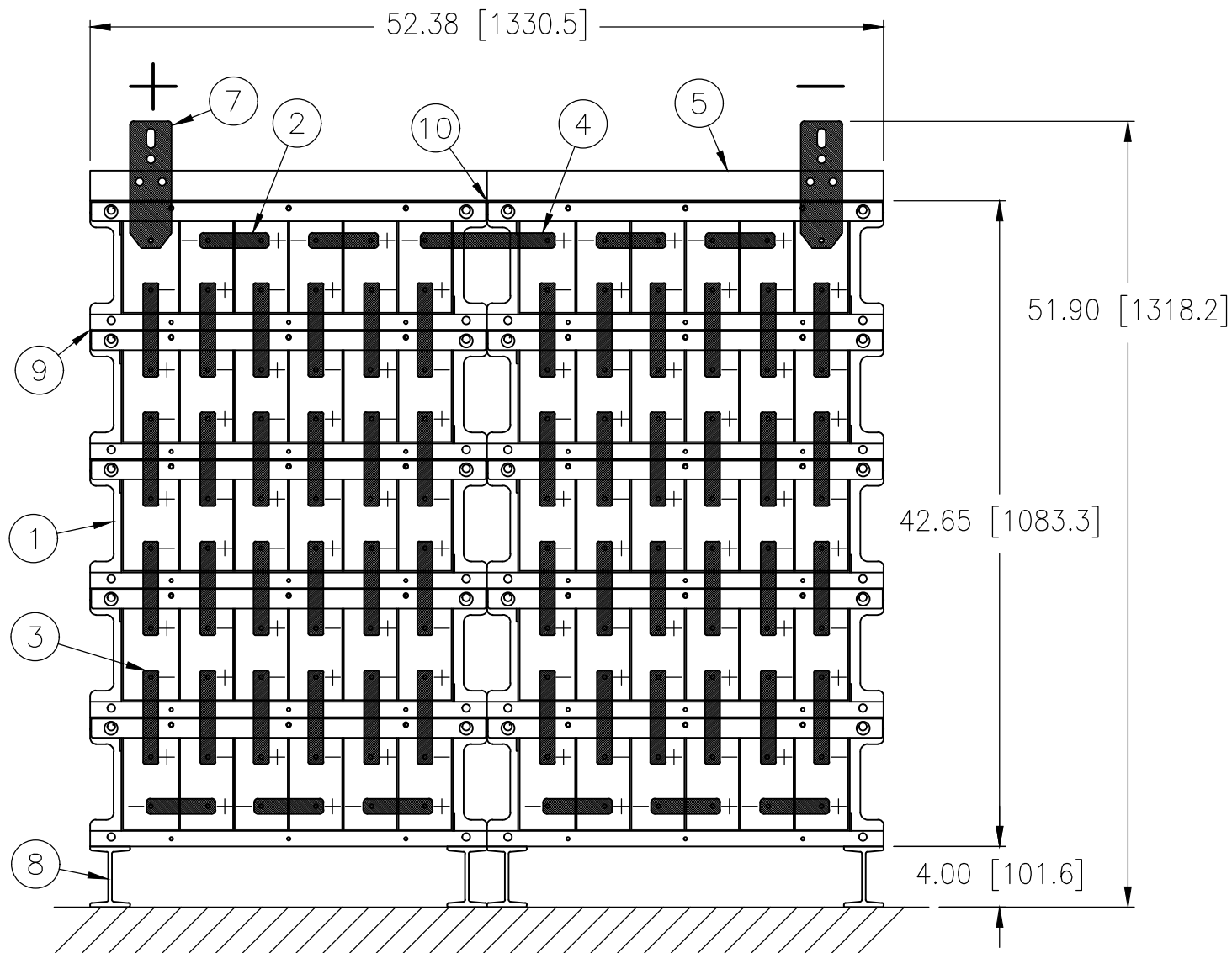


REVISIONS					
ECO NO.	REV	DESCRIPTION	DATE	DRAFT	APPRV
11200197	-	NEW RELEASE	11/09/30	PWM	PWM



NOTES:

1. DEPTH COVER TO BACK: 26.38 [670.1]
2. APPROXIMATE WEIGHT PER STACK:
5 HIGH: 1260 lbs [570 kg]
3. USE M6 X 25 BOLTS IN ALL POSTS UNLESS OTHERWISE NOTED.

120	W02-062501	BOLT M6 X 25 A2	NOT SHOWN	15
120	W03-0601	WASHER M6 X 6.4 17.0 3.0 A2	NOT SHOWN	14
2	K17-TPCOV709A	COVER AGP-09 TOP ASSY CLEAR	NOT SHOWN	13
8	K17-ISCOV709A	COVER AGP-09 STD ASSY CLEAR	NOT SHOWN	12
1	K17-418292	KIT 1-60 NUMERALS & GREASE	NOT SHOWN	11
1	K17-417001	KIT TIE PLATE MECH STACK/STACK		10
8	K17-417000	KIT HARDWARE MECH INTERMODULE		9
2	K17-417026	KIT HORIZONTAL SUPPORT		8
1	K17-417270	KIT TOP TERMINAL PLATE 9,11 PLATE		7
1	K17-400403	KIT AGP ACCESSORY	NOT SHOWN	6
2	S11-420625-009	BRACKET TERMINAL PLATE SUPPORT		5
1	L03-109210-014	CONNECTOR 1.00 X .12		4
48	L03-109209-010	CONNECTOR 1.00 X .06		3
10	L03-109209-003	CONNECTOR 1.00 X .06		2
10	M52-6050091 (M53-6050091)	006AGP 05009W +-+--+		1
X	M87-060-05009-025TBM(V)	60-50G09 MEDIUM		X
QTY	PART OR IDENT NO.	NOMENCLATURE OR DESCRIPTION	REMARKS	ITEM

PARTS LIST

UNLESS OTHERWISE SPECIFIED DIMENSIONS ARE IN INCHES TOLERANCES ARE:		THE USE OF INFORMATION CONTAINED HEREIN IS RESTRICTED FOR THE BENEFIT OF STRYTEN MANUFACTURING LLC ONLY. UNAUTHORIZED USE OR DISCLOSURE, COPYING OR OTHERWISE REPRODUCING (IN ANY MANNER) ANY PORTION OF THIS DRAWING WITHOUT PRIOR WRITTEN PERMISSION OF AN AUTHORIZED OFFICIAL OF STRYTEN MANUFACTURING LLC, IS PROHIBITED.			
DECIMALS	[MM]	FRACTIONAL	ANGLE		
.X±	X±	±	±	TITLE	
.XX±	0.X±			60 CELL ABSOLUTE 50G09 (V/O)	
.XXX±	0.XX±			2 STACKS/5 HIGH	
	DO NOT SCALE DRAWING			60-179 MINUTES BACKUP TO 1.75 VPC	
MATERIAL:	V/O SYSTEM DENOTED BY ()	DRAWN	P. MATTALIANO	DATE	11/09/30
PROCESS:		CHECK	P. MATTALIANO	DATE	11/09/30
		DESIGN	P. MATTALIANO	DATE	11/09/30
		THIRD ANGLE PROJECTION	CAD REFERENCE	SIZE	CAGE CODE
			CREATED WITH AC	B	88219
		REMOVE ALL BURRS AND BREAK SHARP EDGES	DIMENSIONS IN [] ARE MILLIMETERS	DRAWING NO.	439209
				REV	-
				SCALE: 3/32	THIS DWG. SUPERCEDES
					SHEET 1 OF 1

Z66-439209	AA
M87-060-05009-025TBMV	AA
M87-060-05009-025TBM	AA
PART NUMBER	PART REV