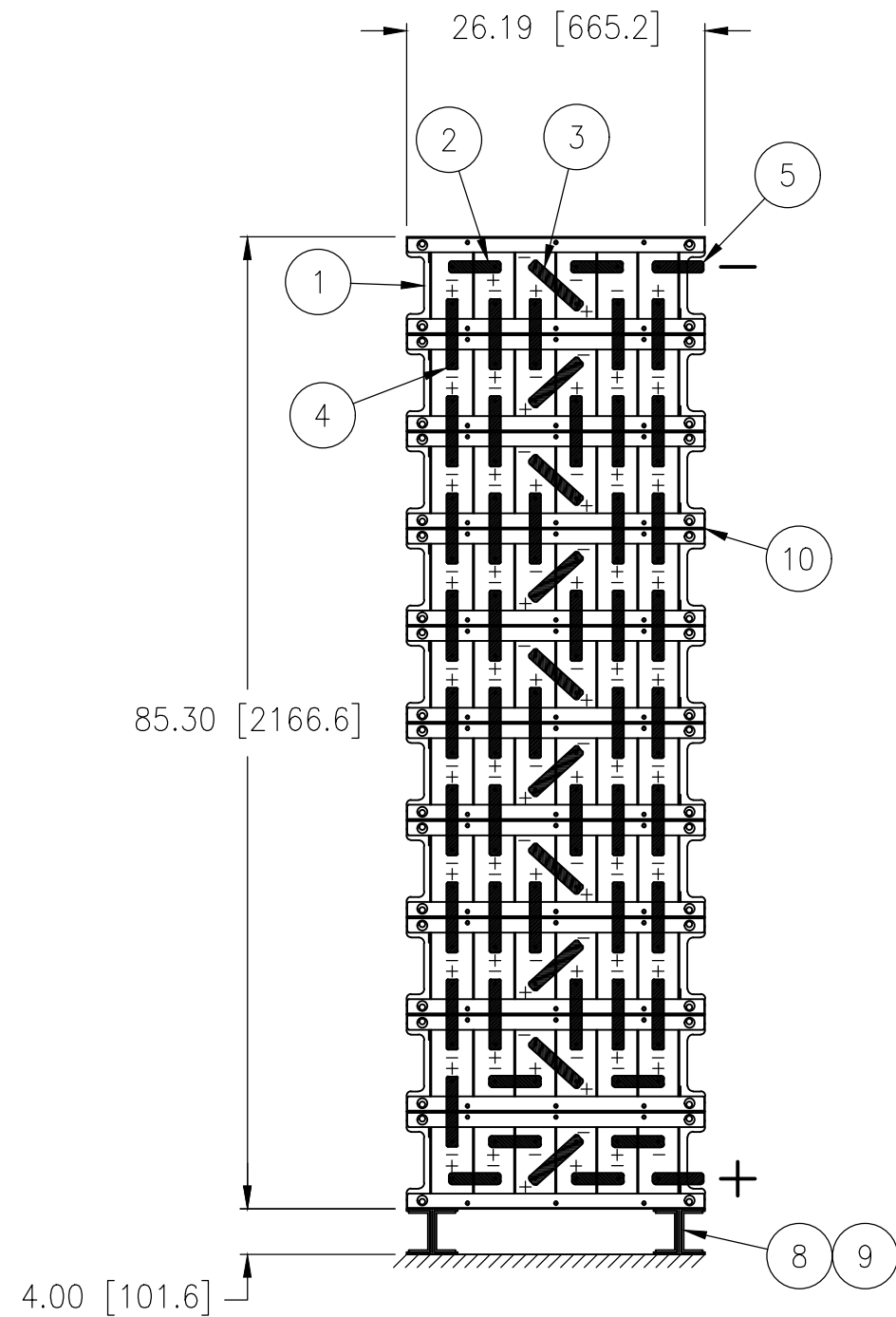


REVISIONS					
ECO NO.	REV	DESCRIPTION	DATE	DRAFT	APPRV
1900155	0	NEW RELEASE	07/05/2018	CD	MFB



NOTES:

- DEPTH COVER TO BACK: 16.22 [412]
- APPROXIMATE WEIGHT PER STACK:  
10 HIGH: 2520 lbs [1140 kg]
- USE M6 X 25 BOLTS IN ALL POSTS UNLESS OTHERWISE NOTED.
- SYSTEM IS UBC 1997 SEISMIC ZONE 4 RATED FOR AT/BELOW GRADE INSTALLATIONS ONLY.
- TERMINAL PLATE ASSEMBLIES WILL ADD TO OVERALL DIMENSIONS; CONSULT I&O MANUAL FOR DETAILS.

120	W02-062501	BOLT M6 X 25 A2	NOT SHOWN	15
120	W03-0601	WASHER M6 X 6.4 17.0 3.0 A2	NOT SHOWN	14
1	K17-TPCOV709A	KIT COVER AGP-09 TOP ASSY CLEAR	NOT SHOWN	13
9	K17-ISCOV709A	KIT COVER AGP-09 STD ASSY CLEAR	NOT SHOWN	12
1	K17-418292	KIT 1-60 NUMERALS & GREASE	NOT SHOWN	11
9	K17-417000	KIT HARDWARE MECH INTERMOD		10
1	K17-417006	KIT SEISMIC SHIM 4 X 3.50"		9
1	K17-417027	KIT HORIZONTAL SUPPORT		8
1	K17-417003LP	KIT TERMINAL PLATE STANDARD	NOT SHOWN	7
1	K17-400403	KIT AGP ACCESSORY	NOT SHOWN	6
2	L03-410820-003	CONNECTOR 1.00 X .12		5
41	L03-109209-010	CONNECTOR 1.00 X .06		4
10	L03-109209-009	CONNECTOR 1.00 X .06		3
8	L03-109209-003	CONNECTOR 1.00 X .06		2
10	M52-605009 (M53-605009)	006AGP 05009W -+---+-		1
X	M87-060-05009-010AFM(V)	60-50G09 MEDIUM		X
QTY	PART OR IDENT NO.	NOMENCLATURE OR DESCRIPTION	REMARKS	ITEM

PARTS LIST

UNLESS OTHERWISE SPECIFIED DIMENSIONS ARE IN INCHES TOLERANCES ARE:		THE USE OF INFORMATION CONTAINED HEREIN IS RESTRICTED FOR THE BENEFIT OF STRYTEN MANUFACTURING LLC ONLY. UNAUTHORIZED USE OR DISCLOSURE, COPYING OR OTHERWISE REPRODUCING (IN ANY MANNER) ANY PORTION OF THIS DRAWING WITHOUT PRIOR WRITTEN PERMISSION OF AN AUTHORIZED OFFICIAL OF STRYTEN MANUFACTURING LLC, IS PROHIBITED.			
DECIMALS	[MM]	FRACTIONAL	ANGLE		
.X±	X±	±	±	TITLE	
.XX±	0.X±			60 CELL ABSOLYTE 50G09 (V-0)	
.XXX±	0.XX±			1 STACK / 10 HIGH	
	DO NOT SCALE DRAWING			60 - 179 MINUTES BACKUP TO 1.75 VPC	
MATERIAL:	V-0 SYSTEM DENOTED BY ( )	DRAWN	C. DANNER	DATE	07/05/2018
		CHECK	C. DANNER	DATE	07/05/2018
		DESIGN	C. DANNER	DATE	07/05/2018
PROCESS:		THIRD ANGLE PROJECTION	CAD REFERENCE	SIZE	CAGE CODE
			CREATED WITH AC	B	88219
		REMOVE ALL BURRS AND BREAK SHARP EDGES	DIMENSIONS IN [ ] ARE MILLIMETERS	DRAWING NO.	441183
				REV	0
				SCALE: 1/16	THIS DWG. SUPERCEDES
					SHEET 1 OF 1

Z66-441183	AA
M87-060-05009-010AFMV	AA
M87-060-05009-010AFM	AA
PART NUMBER	PART REV