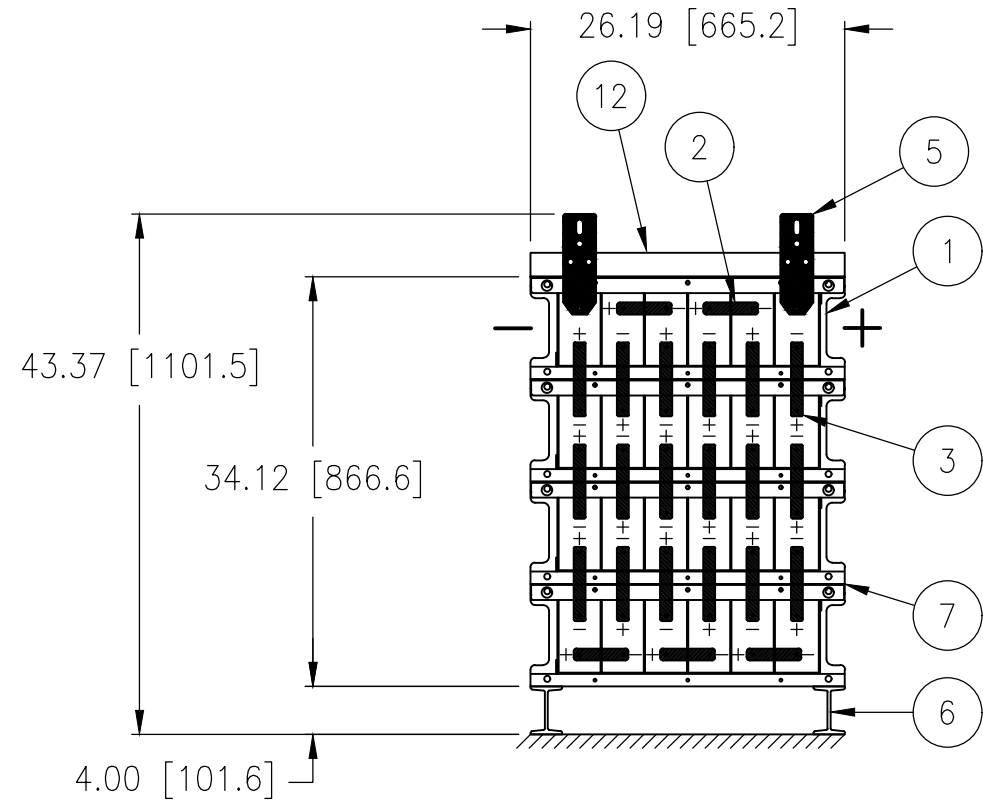


REVISIONS					
ECO NO.	REV	DESCRIPTION	DATE	DRAFT	APPRV
1300490	-	NEW RELEASE	12/10/01	PWM	MJ



NOTES:

1. DEPTH COVER TO BACK: 16.22 [412.0]
2. APPROXIMATE WEIGHT PER STACK:  
4 HIGH: 1008 lbs [458 kg]
3. USE M6 X 25 BOLTS IN ALL POSTS UNLESS OTHERWISE NOTED.

1	S11-420625-009	BRACKET TERM PLATE SUPPORT		12
48	W02-062501	BOLT M6 X 25 A2	NOT SHOWN	11
48	W03-0601	WASHER M6 X 6.4 17.0 3.0 A2	NOT SHOWN	10
1	K17-TPCOV709A	KIT COVER AGP-09 TOP ASSY CLEAR	NOT SHOWN	9
3	K17-ISCOV709A	KIT COVER AGP-09 STD ASSY CLEAR	NOT SHOWN	8
3	K17-417000	KIT HARDWARE MECH INTERMOD		7
1	K17-417026	KIT HORIZONTAL SUPPORT		6
1	K17-417270	KIT TERMINAL PLATE TOP 9-11 PLT		5
1	K17-400403	KIT AGP ACCESSORY	NOT SHOWN	4
18	L17-109209-010	CONNECTOR .75 X .06		3
5	L17-109209-003	CONNECTOR .75 X .06		2
4	M52-6050093 (M53-6050093)	006AGP 05009W -+-+--+		1
X	M87-024-05009-014TAL(V)	24-50G09 LOW		X
QTY	PART OR IDENT NO.	NOMENCLATURE OR DESCRIPTION	REMARKS	ITEM

PARTS LIST

UNLESS OTHERWISE SPECIFIED DIMENSIONS ARE IN INCHES TOLERANCES ARE:		THE USE OF INFORMATION CONTAINED HEREIN IS RESTRICTED FOR THE BENEFIT OF STRYTEN MANUFACTURING LLC ONLY. UNAUTHORIZED USE OR DISCLOSURE, COPYING OR OTHERWISE REPRODUCING (IN ANY MANNER) ANY PORTION OF THIS DRAWING WITHOUT PRIOR WRITTEN PERMISSION OF AN AUTHORIZED OFFICIAL OF STRYTEN MANUFACTURING LLC, IS PROHIBITED.							
DECIMALS	[MM]	FRACTIONAL	ANGLE			TITLE			
.X±	X±	±	±	24 CELL ABSOLYTE 50G09 (V/0)					
.XX±	0.X±			1 STACK/4 HIGH					
.XXX±	0.XX±			3 HOURS OR LONGER BACKUP TO 1.75 VPC					
DO NOT SCALE DRAWING				SIZE	CAGE CODE	DRAWING NO.	REV		
MATERIAL: V/O SYSTEM DENOTED BY ( )		DRAWN	P. MATTALIANO	DATE	12/10/01	B	88219	439637	-
		CHECK	P. MATTALIANO	DATE	12/10/01				
		DESIGN	P. MATTALIANO	DATE	12/10/01				
PROCESS:		THIRD ANGLE PROJECTION	CAD REFERENCE						
			CREATED WITH AC						
REMOVE ALL BURRS AND BREAK SHARP EDGES		DIMENSIONS IN [ ] ARE MILLIMETERS		SCALE: 1/16		THIS DWG. SUPERCEDES		SHEET 1 OF 1	

Z66-439637	AA
M87-024-05009-014TALV	AA
M87-024-05009-014TAL	AA
PART NUMBER	PART REV