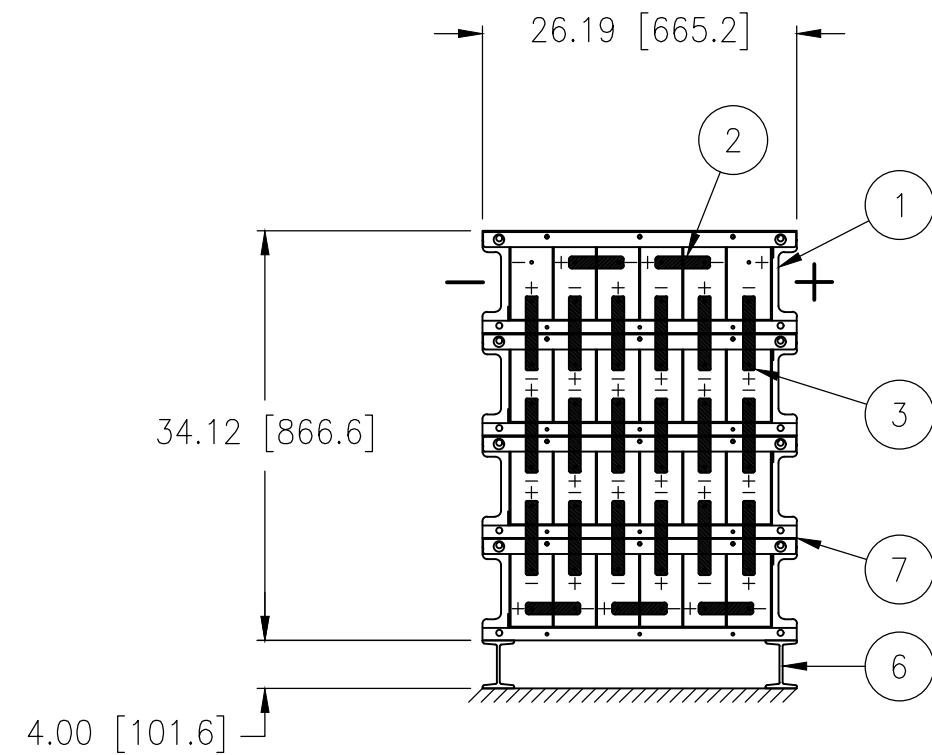


REVISIONS					
ECO NO.	REV	DESCRIPTION	DATE	DRAFT	APPRV
10900761	-	NEW RELEASE	09/03/03	TR	CD

NOTES:

1. DEPTH COVER TO BACK: 16.22 [412.0]
2. APPROXIMATE WEIGHT PER STACK:
4 HIGH: 1008 lbs [457 kg]
3. USE M6 X 25 BOLTS IN ALL POSTS UNLESS OTHERWISE NOTED.



48	W02-062501	BOLT M6 X 25 A2	NOT SHOWN	11
48	W03-0601	WASHER M6 X 6.4 17.0 3.0 A2	NOT SHOWN	10
1	K17-TPCOV709A	KIT COVER AGP-09 TOP ASSY CLEAR	NOT SHOWN	9
3	K17-ISCOV709A	KIT COVER AGP-09 STD ASSY CLEAR	NOT SHOWN	8
3	K17-417000	KIT HARDWARE MECH INTERMOD		7
1	K17-417026	KIT HORIZONTAL SUPPORT		6
1	K17-417002	KIT TERMINAL PLATE LOW 2POST	NOT SHOWN	5
1	K17-400403	KIT AGP ACCESSORY	NOT SHOWN	4
18	L17-109209-010	CONNECTOR .75 X .06		3
5	L17-109209-003	CONNECTOR .75 X .06		2
4	M52-6050093 (M53-6050093)	006AGP 05009W -+-+--+		1
X	M87-024-05009-014AAL(V)	24-50G09 LOW		X
QTY	PART OR IDENT NO.	NOMENCLATURE OR DESCRIPTION	REMARKS	ITEM

PARTS LIST

UNLESS OTHERWISE SPECIFIED DIMENSIONS ARE IN INCHES TOLERANCES ARE:		THE USE OF INFORMATION CONTAINED HEREIN IS RESTRICTED FOR THE BENEFIT OF STRYTEN MANUFACTURING LLC ONLY. UNAUTHORIZED USE OR DISCLOSURE, COPYING OR OTHERWISE REPRODUCING (IN ANY MANNER) ANY PORTION OF THIS DRAWING WITHOUT PRIOR WRITTEN PERMISSION OF AN AUTHORIZED OFFICIAL OF STRYTEN MANUFACTURING LLC, IS PROHIBITED.							
DECIMALS	[MM]	FRACTIONAL	ANGLE			TITLE			
.X±	X±	±	±	24 CELL ABSOLUTE 50G09 (V/O)					
.XX±	0.X±			1 STACK/ 4 HIGH					
.XXX±	0.XX±			3 HOURS OR LONGER BACKUP TO 1.75 VPC					
DO NOT SCALE DRAWING				SIZE	CAGE CODE	DRAWING NO.	REV		
MATERIAL: V/O SYSTEM DENOTED BY ()		DRAWN	T. RABBANI	DATE	09/03/03	B	88219	437675	-
		CHECK	C. DANNER	DATE	09/03/03				
		DESIGN	P. MATTALIANO	DATE	09/03/03	SCALE: 1/16		THIS DWG. SUPERCEDES	SHEET 1 OF 1
PROCESS:		THIRD ANGLE PROJECTION		CAD REFERENCE		CREATED WITH AC			
REMOVE ALL BURRS AND BREAK SHARP EDGES		DIMENSIONS IN [] ARE MILLIMETERS							

Z66-437675	AA
M87-024-05009-014AALV	AA
M87-024-05009-014AAL	AA
PART NUMBER	PART REV