


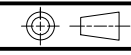
REVISIONS					
ECO NO.	REV	DESCRIPTION	DATE	DRAFT	APPRV
2000588	0	NEW RELEASE	03/03/2020	CD	MFB

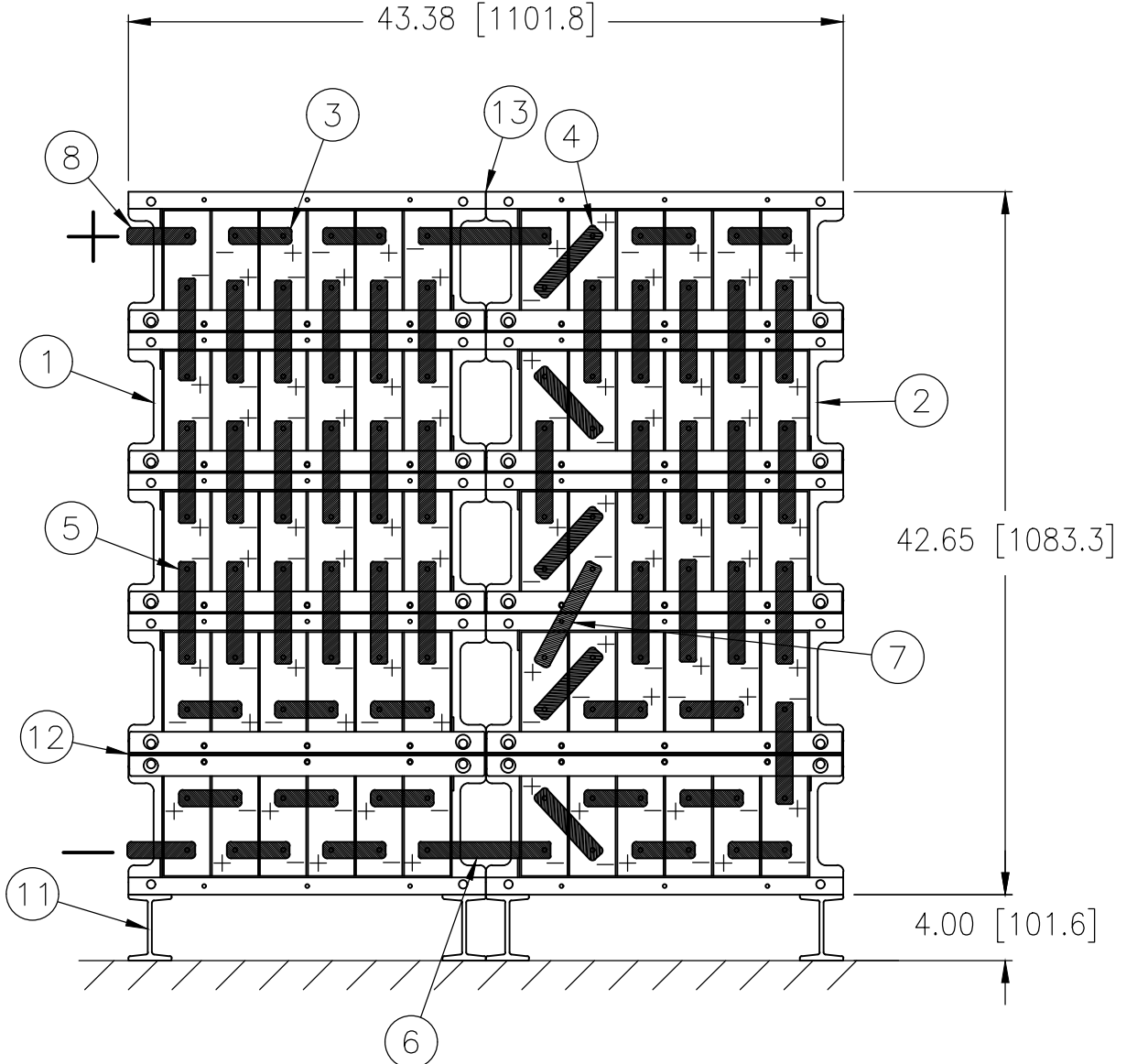
NOTES:

- DEPTH COVER TO BACK: 16.22 [412.0]
- APPROXIMATE WEIGHT PER STACK:
5 HIGH: 1045 lbs [474 kg]
- USE M6 X 25 BOLTS IN ALL POSTS UNLESS OTHERWISE NOTED.
- TERMINAL PLATE ASSEMBLIES WILL ADD TO OVERALL DIMENSIONS; CONSULT I&O MANUAL FOR DETAILS.

120	W02-062501	BOLT M6 X 25 A2	NOT SHOWN	18
120	W03-0601	WASHER M6 X 6.4 17.0 3.0 A2	NOT SHOWN	17
2	K17-TPCOV707A	KIT COVER AGP-07 TOP ASSY CLEAR	NOT SHOWN	16
8	K17-ISCOV707A	KIT COVER AGP-07 STD ASSY CLEAR	NOT SHOWN	15
1	K17-418292	KIT 1-60 NUMERALS & GREASE	NOT SHOWN	14
1	K17-417001	KIT TIE PLATE MECH STACK/STACK		13
8	K17-417000	KIT HARDWARE MECH INTERMODULE		12
2	K17-417026	KIT HORIZONTAL SUPPORT		11
1	K17-417003LP	KIT TERMINAL PLATE STANDARD	NOT SHOWN	10
1	K17-400403	KIT AGP ACCESSORY	NOT SHOWN	9
2	L03-410820-002	CONNECTOR 1.00 X .12		8
1	L03-109209-011	CONNECTOR 1.00 X .06		7
2	L03-106397-026	CONNECTOR 1.00 X .12		6
33	L03-109209-010	CONNECTOR 1.00 X .06		5
5	L03-109209-004	CONNECTOR 1.00 X .06		4
18	L03-109209-002	CONNECTOR 1.00 X .06		3
5	M52-605007A (M53-605007A)	006AGP 05007W +-+--+		2
5	M52-6050071 (M53-6050071)	006AGP 05007W +-+--+		1
X	M87-060-05007-025ACM(V)	60-50G07 MEDIUM		X
QTY	PART OR IDENT NO	NOMENCLATURE OR DESCRIPTION	REMARKS	ITEM

PARTS LIST

UNLESS OTHERWISE SPECIFIED DIMENSIONS ARE IN INCHES TOLERANCES ARE:		THE USE OF INFORMATION CONTAINED HEREIN IS RESTRICTED FOR THE BENEFIT OF STRYTEN MANUFACTURING LLC ONLY. UNAUTHORIZED USE OR DISCLOSURE, COPYING OR OTHERWISE REPRODUCING (IN ANY MANNER) ANY PORTION OF THIS DRAWING WITHOUT PRIOR WRITTEN PERMISSION OF AN AUTHORIZED OFFICIAL OF STRYTEN MANUFACTURING LLC, IS PROHIBITED.			
DECIMALS	[MM]	FRACTIONAL	ANGLE		
.X±	X±	±	±	TITLE	
.XX±	0.X±			60 CELL ABSOLYTE 50G07 (V-0)	
.XXX±	0.XX±			2 STACKS / 5 HIGH	
	DO NOT SCALE DRAWING			60 - 179 MINUTES BACKUP TO 1.75 VPC	
MATERIAL:	V-0 SYSTEM DENOTED BY ()	DRAWN	C. DANNER	DATE	03/03/2020
PROCESS:		CHECK	C. DANNER	DATE	03/03/2020
		DESIGN	C. DANNER	DATE	03/03/2020
		THIRD ANGLE PROJECTION	CAD REFERENCE	SIZE	CAGE CODE
			CREATED WITH AC	B	88219
		REMOVE ALL BURRS AND BREAK SHARP EDGES	DIMENSIONS IN [] ARE MILLIMETERS	DRAWING NO.	441459
				REV	0
				SCALE: 3/32	SHEET 1 OF 1



Z66-441459	AA
M87-060-05007-025ACMV	AA
M87-060-05007-025ACM	AA
PART NUMBER	PART REV