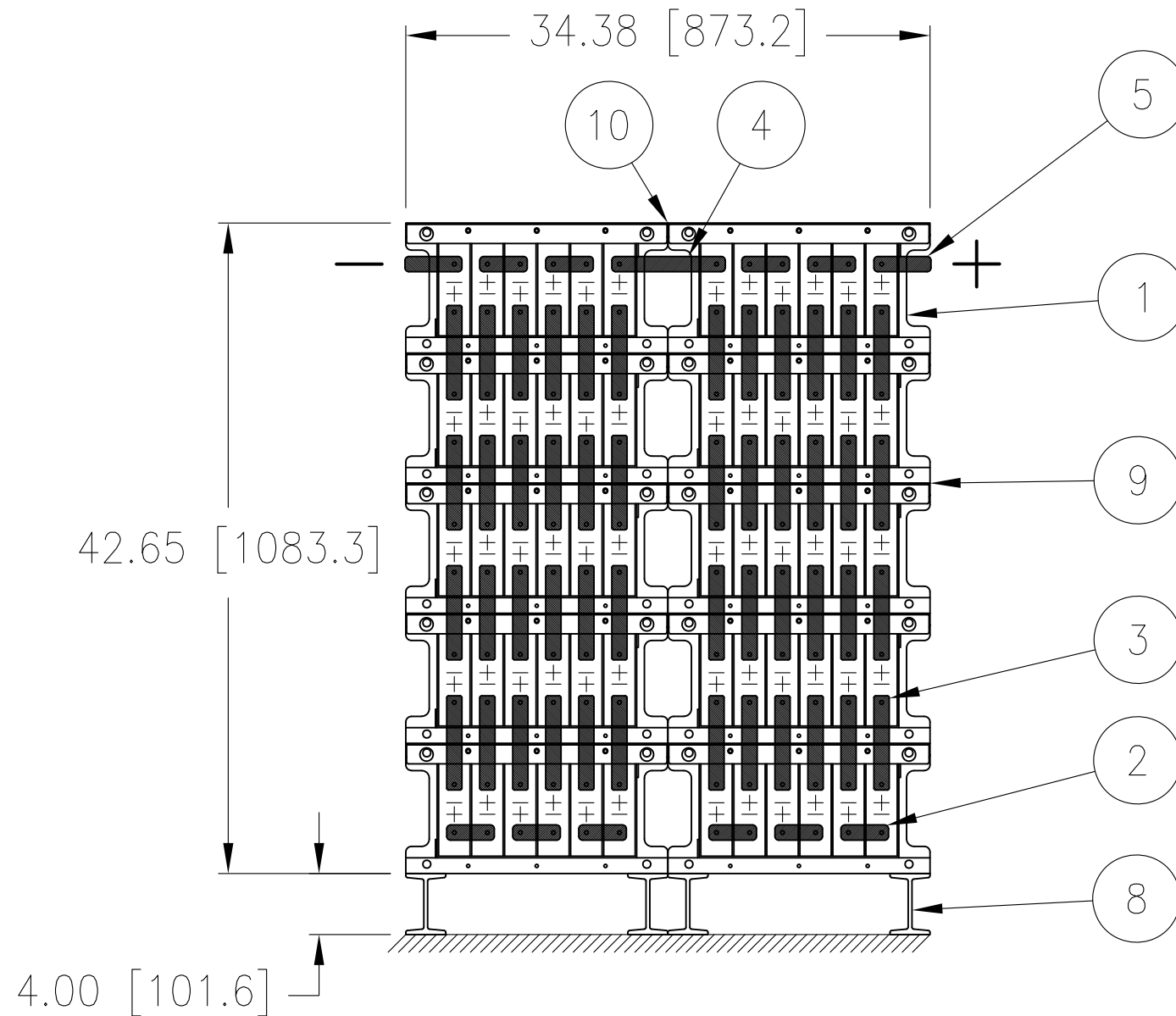


REVISIONS					
ECO NO.	REV	DESCRIPTION	DATE	DRAFT	APPRV
I1200176	-	NEW RELEASE	08/05/2011	PWM	PWM
2200350	A	"5 HIGH" IN NOTE 2 WAS "4 HIGH"; UPDATE BORDER	01/21/2022	PWM	MFB



NOTES:

1. DEPTH COVER TO BACK: 16.22 [412.0]
2. APPROXIMATE WEIGHT PER STACK:
5 HIGH: 785 lbs [356 kg]
3. USE M6 X 25 BOLTS IN ALL POSTS UNLESS OTHERWISE NOTED.
4. TERMINAL PLATE ASSEMBLIES WILL ADD TO OVERALL DIMENSIONS; CONSULT I&O MANUAL FOR DETAILS.

120	W02-062501	BOLT M6 X 25 A2	NOT SHOWN	15
120	W03-0601	WASHER M6 X 6.4 17.0 3.0 A2	NOT SHOWN	14
2	K17-TPCOV705A	KIT COVER AGP-05 TOP ASSY CLEAR	NOT SHOWN	13
8	K17-ISCOV705A	KIT COVER AGP-05 STD ASSY CLEAR	NOT SHOWN	12
1	K17-418292	KIT 1-60 NUMERALS & GREASE	NOT SHOWN	11
1	K17-417001	KIT TIE PLATE MECH STACK/ STACK		10
8	K17-417000	KIT HARDWARE MECH INTERMOD		9
2	K17-417026	KIT HORIZONTAL SUPPORT		8
1	K17-417003LP	KIT TERMINAL PLATE STANDARD	NOT SHOWN	7
1	K17-400403	KIT AGP ACCESSORY	NOT SHOWN	6
2	L03-410820-001	CONNECTOR 1.00 X .12		5
1	L03-109210-013	CONNECTOR 1.00 X .12		4
48	L03-109209-010	CONNECTOR 1.00 X .06		3
10	L03-109209-001	CONNECTOR 1.00 X .06		2
10	M52-6050053 (M53-6050053)	006AGP 05005W -+-+--		1
X	M87-060-05005-025AAM(V)	60-50G05 MEDIUM		X
QTY	PART OR IDENT NO.	NOMENCLATURE OR DESCRIPTION	REMARKS	ITEM

PARTS LIST

DECIMALS	[MM]	FRACTIONAL	ANGLE
.X±	X±	±	±
.XX±	0.X±	±	±
.XXX±	0.XX±	±	±

UNLESS OTHERWISE SPECIFIED DIMENSIONS ARE IN INCHES
TOLERANCES ARE:
DO NOT SCALE DRAWING

THE USE OF INFORMATION CONTAINED HEREIN IS RESTRICTED FOR THE BENEFIT OF STRYTEN ENERGY LLC ONLY. UNAUTHORIZED USE OR DISCLOSURE, COPYING OR OTHERWISE REPRODUCING (IN ANY MANNER) ANY PORTION OF THIS DRAWING WITHOUT PRIOR WRITTEN PERMISSION OF AN AUTHORIZED OFFICIAL OF STRYTEN ENERGY LLC, IS PROHIBITED.



TITLE
60 CELL ABSOLYTE 50G05 (V-0)
2 STACKS/5 HIGH
60-179 MINUTES BACKUP TO 1.75 VPC

MATERIAL: V-0 SYSTEM DENOTED BY ()	DRAWN P. MATTALIANO	DATE 08/05/2011	SIZE B	CAGE CODE 88219	DRAWING NO. 439119	REV A
PROCESS:	CHECK P. MATTALIANO	DATE 01/21/2022	SCALE: 1/16	THIS DWG. SUPERCEDES		SHEET 1 OF 1
	DESIGN P. MATTALIANO	DATE 08/05/2011	THIRD ANGLE PROJECTION		CREATED WITH AC	
			REMOVE ALL BURRS AND BREAK SHARP EDGES		DIMENSIONS IN [] ARE MILLIMETERS	

Z66-439119	AB
M87-060-05005-025AAMV	AA
M87-060-05005-025AAM	AA
PART NUMBER	PART REV