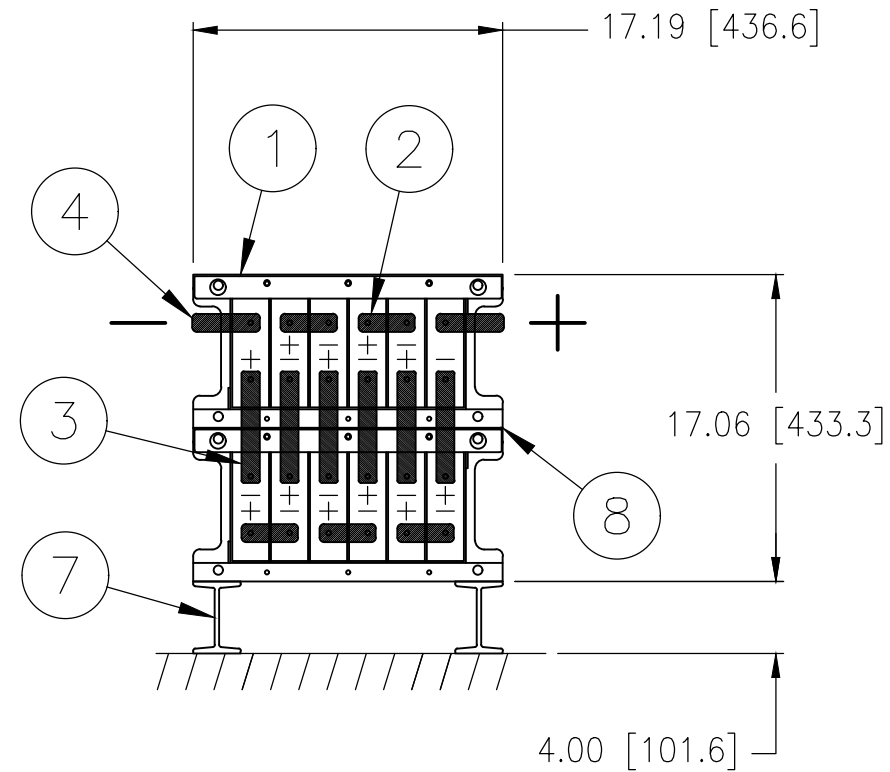


REVISIONS					
ECO NO.	REV	DESCRIPTION	DATE	DRAFT	APPRV
I1200221	-	NEW RELEASE	11/11/29	PWM	PWM

NOTES:

1. DEPTH COVER TO BACK: 16.22 [412.0]
2. APPROXIMATE WEIGHT PER STACK:
2 HIGH: 314 lbs [143 kg]
3. USE M6 X 25 BOLTS IN ALL POSTS UNLESS OTHERWISE NOTED.
4. TERMINAL PLATE ASSEMBLIES WILL ADD TO OVERALL CONNECTIONS; CONSULT I&O MANUAL FOR DETAILS.



24	W02-062501	BOLT M6 X 25 A2	NOT SHOWN	12
24	W03-0601	WASHER M6 X 6.4 17.0 3.0 A2	NOT SHOWN	11
1	K17-TPCOV705A	KIT COVER AGP-05 TOP ASSY CLEAR	NOT SHOWN	10
1	K17-ISCOV705A	KIT COVER AGP-05 STD ASSY CLEAR	NOT SHOWN	9
1	K17-417000	KIT HARDWARE MECH INTERMOD		8
1	K17-417026	KIT HORIZONTAL SUPPORT		7
1	K17-417003LP	KIT TERMINAL PLATE STANDARD	NOT SHOWN	6
1	K17-400403	KIT AGP ACCESSORY	NOT SHOWN	5
2	L03-410820-001	CONNECTOR 1.00 X .12		4
6	L03-109209-010	CONNECTOR 1.00 X .06		3
5	L03-109209-001	CONNECTOR 1.00 X .06		2
2	M52-6050053 (M53-6050053)	006AGP 05005W -+--+		1
X	M87-012-05005-012AAM(V)	12-50G05 MEDIUM		X
QTY	PART OR IDENT NO.	NOMENCLATURE OR ESCRIPTION	REMARKS	ITEM

PARTS LIST

UNLESS OTHERWISE SPECIFIED DIMENSIONS ARE IN INCHES TOLERANCES ARE:		THE USE OF INFORMATION CONTAINED HEREIN IS RESTRICTED FOR THE BENEFIT OF STRYTEN MANUFACTURING LLC ONLY. UNAUTHORIZED USE OR DISCLOSURE, COPYING OR OTHERWISE REPRODUCING (IN ANY MANNER) ANY PORTION OF THIS DRAWING WITHOUT PRIOR WRITTEN PERMISSION OF AN AUTHORIZED OFFICIAL OF STRYTEN MANUFACTURING LLC, IS PROHIBITED.			
DECIMALS	[MM]	FRACTIONAL	ANGLE		
.X±	X±	±	±	TITLE	
.XX±	0.X±			12 CELL ABSOLYTE 50G05 (V/0)	
.XXX±	0.XX±			1 STACK/2 HIGH	
	DO NOT SCALE DRAWING			60-179 MINUTES BACKUP TO 1.75 VPC	
MATERIAL:		DRAWN	DATE	SIZE	CAGE CODE
V/0 SYSTEM DENOTED BY ()		P. MATTALIANO	11/11/29	B	88219
PROCESS:		CHECK	DATE	DRAWING NO.	REV
		P. MATTALIANO	11/11/29	439294	-
		DESIGN	DATE		
		P. MATTALIANO	11/11/29		
		THIRD ANGLE PROJECTION	CAD REFERENCE		
			CREATED WITH AC		
REMOVE ALL BURRS AND BREAK SHARP EDGES		DIMENSIONS IN [] ARE MILLIMETERS		SCALE: 3/32	THIS DWG. SUPERCEDES
				SHEET 1 OF 1	

Z66-439294	AA
M87-012-05005-012AAMV	AA
M87-012-05005-012AAM	AA
PART NUMBER	PART REV