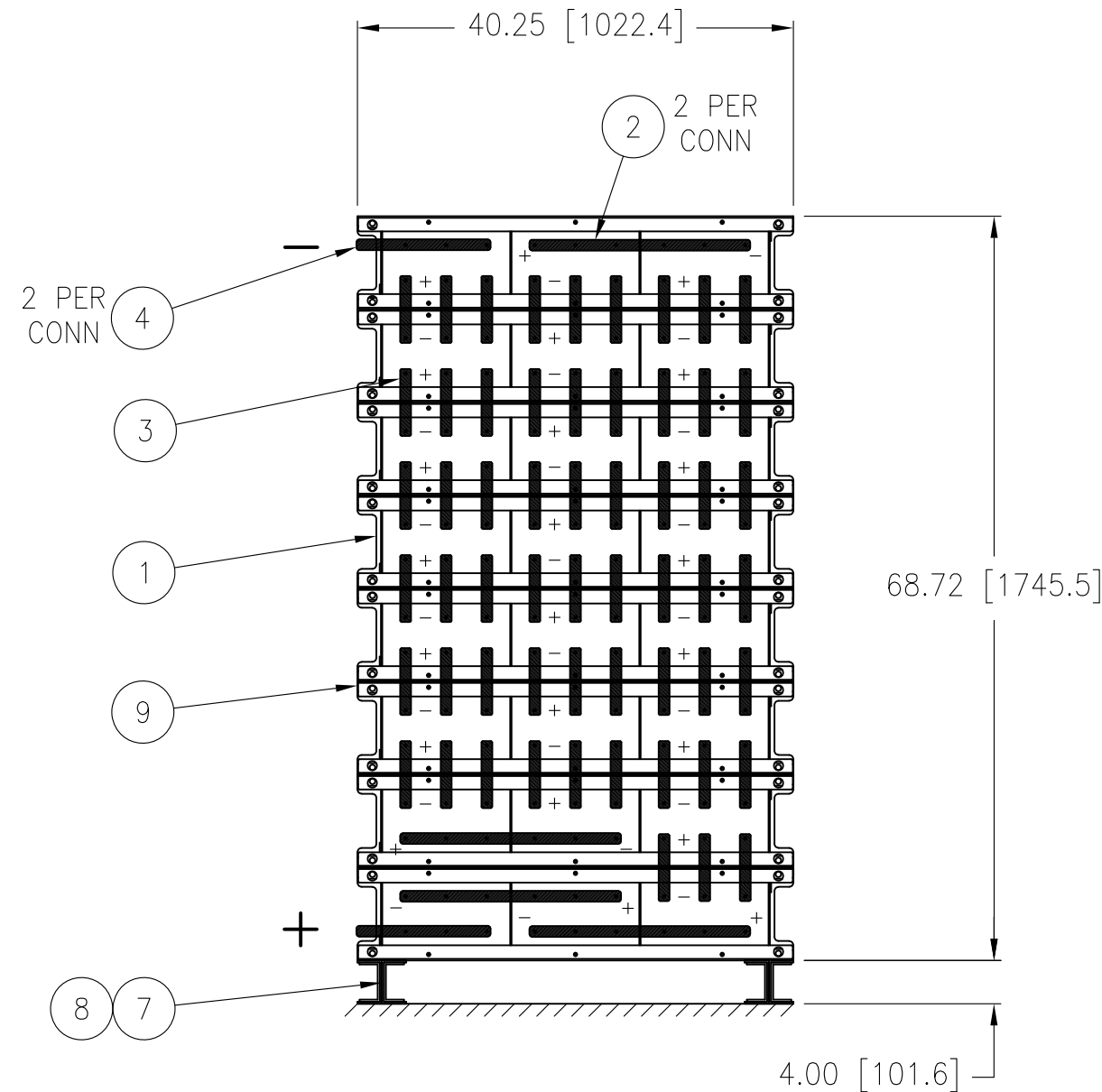


REVISIONS					
ECO NO.	REV	DESCRIPTION	DATE	DRAFT	APPRV
10900732	-	NEW RELEASE	09/02/13	TR	PM
11000376	A	QTY OF ITEM 7 WAS 2; ADDED NOTE 4	10/01/21	PWM	PWM

NOTES:

1. DEPTH COVER TO BACK: 26.38 [670.1]
2. APPROXIMATE WEIGHT PER STACK:  
8 HIGH: 6000 lbs [2722 kg]
3. USE M6 X 25 BOLTS IN ALL POSTS UNLESS OTHERWISE NOTED.
4. TERMINAL PLATE ASSEMBLIES WILL ADD TO OVERALL DIMENSIONS; CONSULT I&O MANUAL FOR DETAILS.



144	W02-062501	BOLT M6 X 25 A2	NOT SHOWN	13
144	W03-0601	WASHER M6 X 6.4 17.0 3.0 A2	NOT SHOWN	12
1	K17-TPCOV031A	KIT COVER AGP-31 TOP ASSY CLEAR	NOT SHOWN	11
7	K17-ISCOV031A	KIT COVER AGP-31 STD ASSY CLEAR	NOT SHOWN	10
7	K17-417000	KIT HARDWARE MECH INTERMOD		9
1	K17-417006	KIT SEISMIC SHIM 4 X 3.50"		8
1	K17-417031	KIT HORIZONTAL SUPPORT		7
1	K17-417003LP	KIT TERMINAL PLATE STANDARD	NOT SHOWN	6
1	K17-400403	KIT AGP ACCESSORY	NOT SHOWN	5
4	L17-420127-004	CONNECTOR .75 X .12		4
57	L17-109209-010	CONNECTOR .75 X .06		3
8	L17-411091-002	CONNECTOR .75 X .12		2
8	M52-310031 (M53-310031)	003AGP 10031W --+		1
X	M87-024-10031-018ADL(V)	24-100G31 LOW		X
QTY	PART OR IDENT NO.	NOMENCLATURE OR DESCRIPTION	REMARKS	ITEM

PARTS LIST

UNLESS OTHERWISE SPECIFIED DIMENSIONS ARE IN INCHES TOLERANCES ARE:		THE USE OF INFORMATION CONTAINED HEREIN IS RESTRICTED FOR THE BENEFIT OF STRYTEN MANUFACTURING LLC ONLY. UNAUTHORIZED USE OR DISCLOSURE, COPYING OR OTHERWISE REPRODUCING (IN ANY MANNER) ANY PORTION OF THIS DRAWING WITHOUT PRIOR WRITTEN PERMISSION OF AN AUTHORIZED OFFICIAL OF STRYTEN MANUFACTURING LLC, IS PROHIBITED.			
DECIMALS	[MM]	FRACTIONAL	ANGLE		
.X±	X±	±	±	TITLE	
.XX±	0.X±			24 CELL ABSOLYTE 100G31 (V/O)	
.XXX±	0.XX±			1 STACK / 8 HIGH	
				3 HOURS OR LONGER BACKUP TO 1.75 VPC	
MATERIAL:		DRAWN	DATE	SIZE	CAGE CODE
V/O SYSTEM DENOTED BY ( )		T. RABBANI	09/02/13	B	88219
PROCESS:		CHECK	DATE	DRAWING NO.	REV
		P. MATTALIANO	10/01/21	437977	A
		DESIGN	DATE		
		P. MATTALIANO	09/02/13		
		THIRD ANGLE PROJECTION	CAD REFERENCE		
			CREATED WITH AC		
REMOVE ALL BURRS AND BREAK SHARP EDGES		DIMENSIONS IN [ ] ARE MILLIMETERS		SCALE: 1/16	THIS DWG. SUPERCEDES
				SHEET 1 OF 1	

Z66-437977	AB
M87-024-10031-018ADLV	AA
M87-024-10031-018ADL	AA
PART NUMBER	PART REV