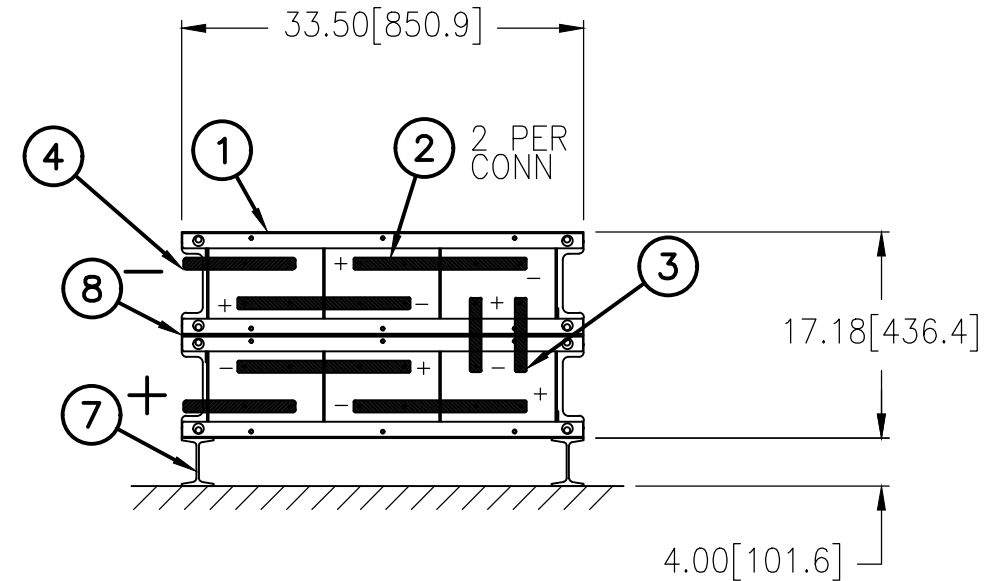


REVISIONS					
ECO NO.	REV	DESCRIPTION	DATE	DRAFT	APPRV
11100114	-	NEW RELEASE	10/08/03	PWM	PWM

NOTES:

- DEPTH COVER TO BACK: 26.38 [670.1]
- APPROXIMATE WEIGHT PER STACK:
2 HIGH: 1216 lbs [552 kg.]
- USE M6 X 25 BOLTS IN ALL POSTS UNLESS OTHERWISE NOTED.
- TERMINAL PLATE ASSEMBLIES WILL ADD TO OVERALL DIMENSIONS; CONSULT I&O MANUAL FOR DETAILS.



24	W02-062501	BOLT M6 X 25 A2	NOT SHOWN	12
24	W03-0601	WASHER M6 X 6.4 17.0 3.0 A2	NOT SHOWN	11
1	K17-TPCOV025A	COVER AGP-25 TOP ASSY CLEAR	NOT SHOWN	10
1	K17-ISCOV025A	COVER AGP-25 STD ASSY CLEAR	NOT SHOWN	9
1	K17-417000	KIT HARDWARE MECH INTERMOD		8
1	K17-417030	KIT HORIZONTAL SUPPORT		7
1	K17-417003LP	KIT TERMINAL PLATE STANDARD	NOT SHOWN	6
1	K17-400403	KIT AGP ACCESSORY	NOT SHOWN	5
2	L17-420126-005	CONNECTOR .75 X .12		4
2	L17-109209-010	CONNECTOR .75 X .06		3
8	L17-109214-003	CONNECTOR .75 X .12		2
2	M52-310025 (M53-310025)	003AGP 10025W -+-		1
X	M87-006-10025-012ADL(V)	6-100G25 LOW		X
QTY	PART OR IDENT NO.	NOMENCLATURE OR DESCRIPTION	REMARKS	ITEM

PARTS LIST

UNLESS OTHERWISE SPECIFIED DIMENSIONS ARE IN INCHES TOLERANCES ARE:		THE USE OF INFORMATION CONTAINED HEREIN IS RESTRICTED FOR THE BENEFIT OF STRYTEN MANUFACTURING LLC ONLY. UNAUTHORIZED USE OR DISCLOSURE, COPYING OR OTHERWISE REPRODUCING (IN ANY MANNER) ANY PORTION OF THIS DRAWING WITHOUT PRIOR WRITTEN PERMISSION OF AN AUTHORIZED OFFICIAL OF STRYTEN MANUFACTURING LLC, IS PROHIBITED.			
DECIMALS	[MM]	FRACTIONAL	ANGLE		
.X±	X±	±	±	TITLE	
.XX±	0.X±			6 CELL ABSOLYTE 100G25 (V/0)	
.XXX±	0.XX±			1 STACK/2 HIGH	
				3 HOURS OR LONGER BACKUP TO 1.75 VPC	
MATERIAL:		DRAWN	DATE	SIZE	CAGE CODE
V/0 SYSTEM DENOTED BY ()		P. MATTALIANO	10/08/03	B	88219
PROCESS:		CHECK	DATE	DRAWING NO.	REV
		P. MATTALIANO	10/08/03	438711	-
		DESIGN	DATE		
		P. MATTALIANO	10/08/03		
		THIRD ANGLE PROJECTION	CAD REFERENCE		
			CREATED WITH AC		
REMOVE ALL BURRS AND BREAK SHARP EDGES		DIMENSIONS IN [] ARE MILLIMETERS		SCALE: 1/16	THIS DWG. SUPERCEDES
				SHEET 1 OF 1	

Z66-438711	AA
M87-006-10025-012ADLV	AA
M87-006-10025-012ADL	AA
PART NUMBER	PART REV