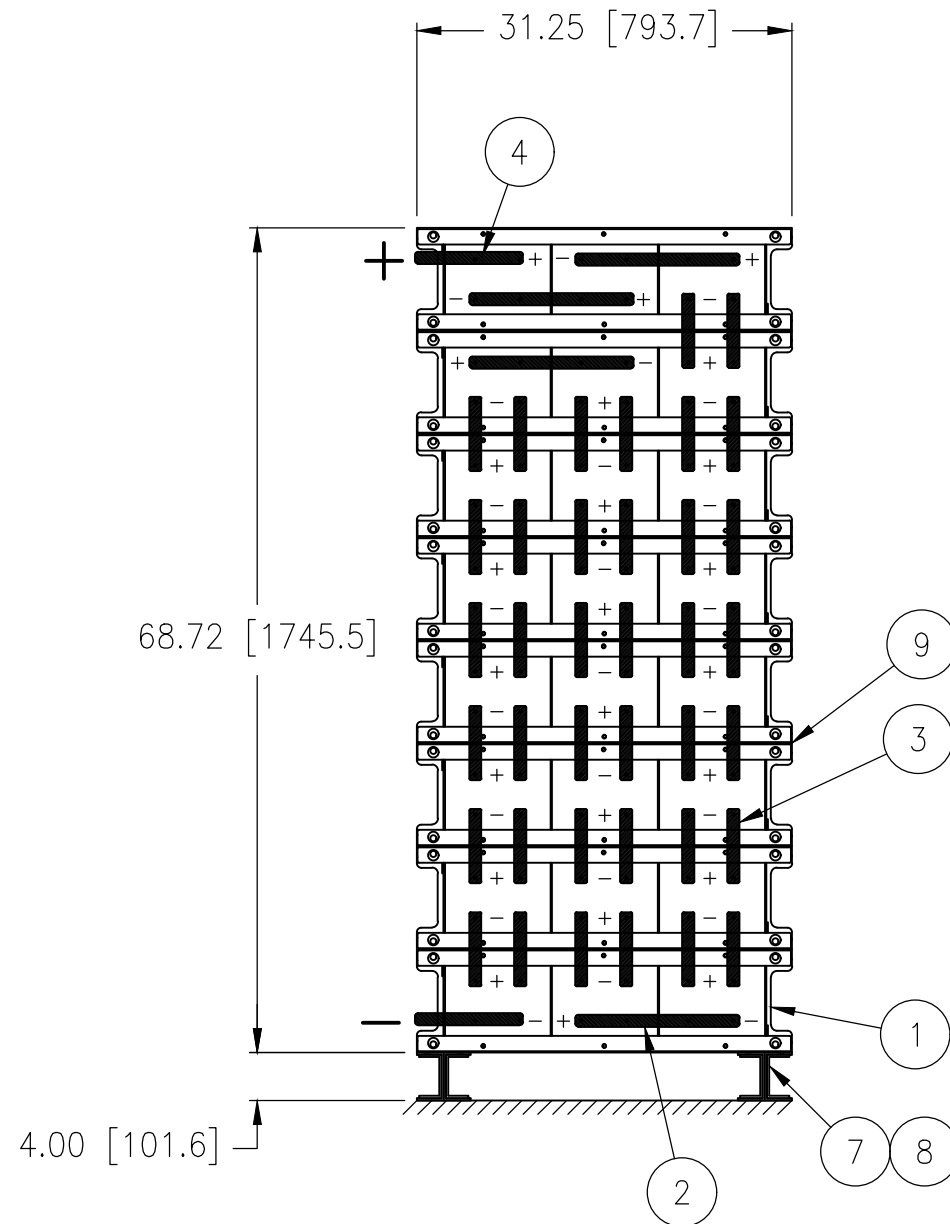


REVISIONS					
ECO NO.	REV	DESCRIPTION	DATE	DRAFT	APPRV
I1200053	-	NEW RELEASE	11/04/07	PWM	PWM

NOTES:

1. DEPTH COVER TO BACK: 26.38 [670.1]
2. APPROXIMATE WEIGHT PER STACK:
8 HIGH: 4488 lbs [2038 kg]
3. USE M6 X 25 BOLTS IN ALL POSTS UNLESS OTHERWISE NOTED.
4. TERMINAL PLATE ASSEMBLIES WILL ADD TO OVERALL DIMENSIONS; CONSULT I&O MANUAL FOR DETAILS.



96	W02-062501	BOLT M6 X 25 A2	NOT SHOWN	13
96	W03-0601	WASHER M6 X 6.4 17.0 3.0 A2	NOT SHOWN	12
1	K17-TPCOV023A	KIT COVER AGP-23 TOP ASSY CLEAR	NOT SHOWN	11
7	K17-ISCOV023A	KIT COVER AGP-23 STD ASSY CLEAR	NOT SHOWN	10
7	K17-417000	KIT HARDWARE MECH INTERMOD		9
1	K17-417006	KIT SEISMIC SHIM 4 X 3.50"		8
1	K17-417031	KIT HORIZONTAL SUPPORT		7
1	K17-417003LP	KIT TERMINAL PLATE STANDARD	NOT SHOWN	6
1	K17-400403	KIT AGP ACCESSORY	NOT SHOWN	5
2	L17-420126-004	CONNECTOR .75 X .12		4
38	L17-109209-010	CONNECTOR .75 X .06		3
4	L17-109214-002	CONNECTOR .75 X .12		2
8	M52-310023 (M53-310023)	003AGP 10023W --+		1
X	M87-024-10023-018ACL(V)	24-100G23 LOW		X
QTY	PART OR IDENT NO.	NOMENCLATURE OR DESCRIPTION	REMARKS	ITEM

PARTS LIST

UNLESS OTHERWISE SPECIFIED DIMENSIONS ARE IN INCHES TOLERANCES ARE:		THE USE OF INFORMATION CONTAINED HEREIN IS RESTRICTED FOR THE BENEFIT OF STRYTEN MANUFACTURING LLC ONLY. UNAUTHORIZED USE OR DISCLOSURE, COPYING OR OTHERWISE REPRODUCING (IN ANY MANNER) ANY PORTION OF THIS DRAWING WITHOUT PRIOR WRITTEN PERMISSION OF AN AUTHORIZED OFFICIAL OF STRYTEN MANUFACTURING LLC, IS PROHIBITED.							
DECIMALS	[MM]	FRACTIONAL	ANGLE			TITLE			
.X±	X±	±	±	24 CELL ABSOLYTE 100G23 (V/O)					
.XX±	0.X±			1 STACK/8 HIGH					
.XXX±	0.XX±			3 HOURS OR LONGER BACKUP TO 1.75 VPC					
DO NOT SCALE DRAWING				SIZE	CAGE CODE	DRAWING NO.	REV		
MATERIAL: V/O SYSTEM DENOTED BY ()		DRAWN	P. MATTALIANO	DATE	11/04/07	B	88219	438950	-
		CHECK	P. MATTALIANO	DATE	11/04/07				
		DESIGN	P. MATTALIANO	DATE	11/04/07				
PROCESS:		THIRD ANGLE PROJECTION	CAD REFERENCE						
			CREATED WITH AC						
REMOVE ALL BURRS AND BREAK SHARP EDGES		DIMENSIONS IN [] ARE MILLIMETERS		SCALE: 1/16		THIS DWG. SUPERCEDES		SHEET 1 OF 1	

Z66-438950	AA
M87-024-10023-018ACLV	AA
M87-024-10023-018ACL	AA
PART NUMBER	PART REV