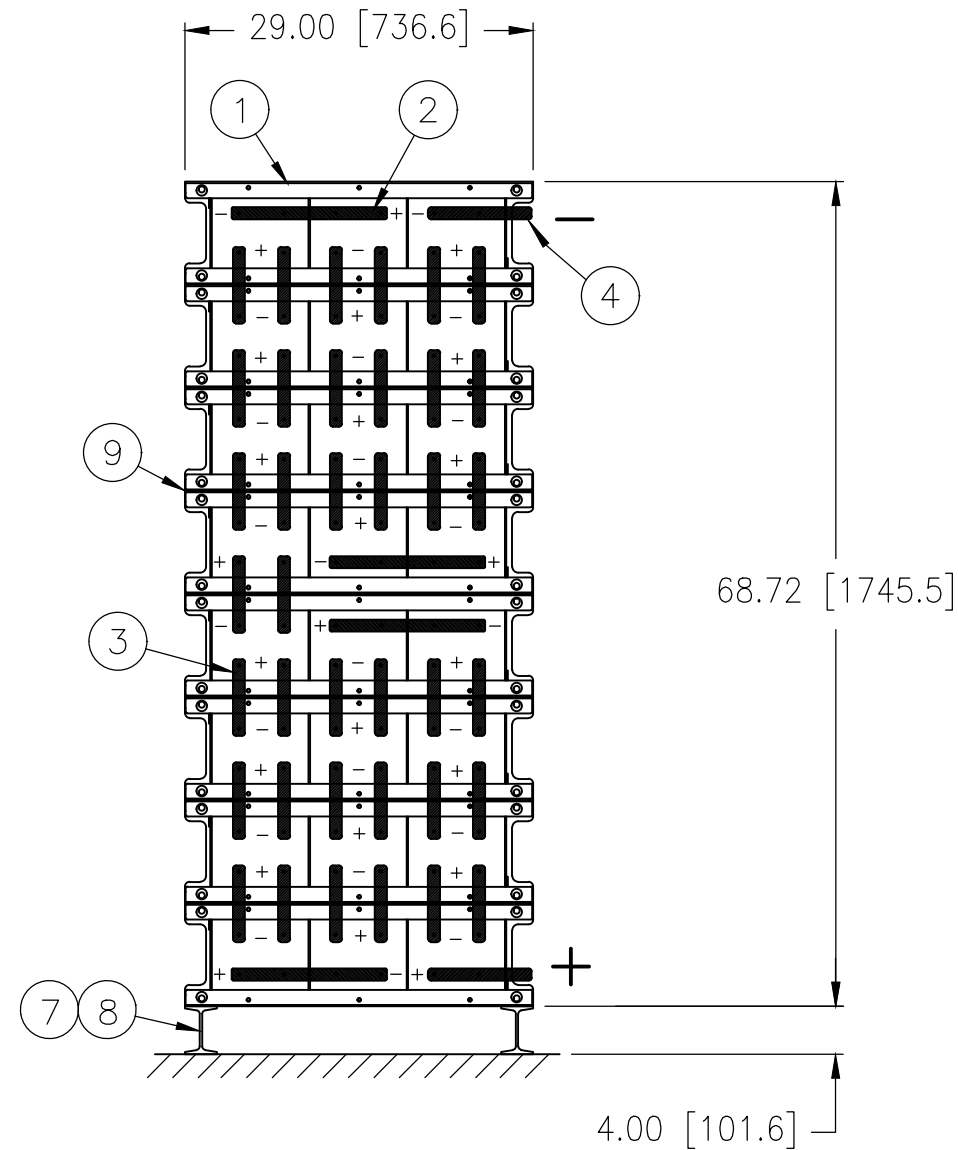


REVISIONS					
ECO NO.	REV	DESCRIPTION	DATE	DRAFT	APPRV
I0900732	-	NEW RELEASE	09/02/04	TR	PM



NOTES:

1. DEPTH COVER TO BACK: 26.38 [670.0]
2. APPROXIMATE WEIGHT PER STACK:
8 HIGH: 4120 lbs [1869 kg]
3. USE M6 X 25 BOLTS IN ALL POSTS UNLESS OTHERWISE NOTED.

QTY	PART OR IDENT NO.	NOMENCLATURE OR DESCRIPTION	REMARKS	ITEM
96	W02-062501	BOLT M6 X 25 A2	NOT SHOWN	13
96	W03-0601	WASHER M6 X 6.4 17.0 3.0 A2	NOT SHOWN	12
1	K17-TPCOV021A	COVER AGP-21 TOP ASSY CLEAR	NOT SHOWN	11
7	K17-ISCOV021A	COVER AGP-21 STD ASSY CLEAR	NOT SHOWN	10
7	K17-417000	KIT HARDWARE MECH INTERMOD		9
1	K17-417006	KIT SEISMIC SHIM 4 X 3.50"		8
1	K17-417031	KIT HORIZONTAL SUPPORT		7
1	K17-417003LP	KIT TERMINAL PLATE STANDARD	NOT SHOWN	6
1	K17-400403	KIT AGP ACCESSORY	NOT SHOWN	5
2	L17-420126-003	CONNECTOR .75 X .12		4
38	L17-109209-010	CONNECTOR .75 X .06		3
4	L17-109214-001	CONNECTOR .75 X .12		2
8	M52-310021 (M53-310021)	003AGP 10021W -+-		1
X	M87-024-10021-018AFL(V)	24-100G21 LOW		X

PARTS LIST

UNLESS OTHERWISE SPECIFIED DIMENSIONS ARE IN INCHES TOLERANCES ARE:		THE USE OF INFORMATION CONTAINED HEREIN IS RESTRICTED FOR THE BENEFIT OF STRYTEN MANUFACTURING LLC ONLY. UNAUTHORIZED USE OR DISCLOSURE, COPYING OR OTHERWISE REPRODUCING (IN ANY MANNER) ANY PORTION OF THIS DRAWING WITHOUT PRIOR WRITTEN PERMISSION OF AN AUTHORIZED OFFICIAL OF STRYTEN MANUFACTURING LLC, IS PROHIBITED.			
DECIMALS	[MM]	FRACTIONAL	ANGLE		
.X±	X±	±	±	TITLE	
.XX±	0.X±			24 CELL ABSOLYTE 100G21 (V/0)	
.XXX±	0.XX±			1 STACK/8 HIGH	
	DO NOT SCALE DRAWING			3 HOURS OR LONGER BACKUP TO 1.75 VPC	
MATERIAL:		DRAWN	DATE	SIZE	CAGE CODE
V/0 SYSTEM DENOTED BY ()		T. RABBANI	09/02/04	B	88219
PROCESS:		CHECK	DATE	DRAWING NO.	REV
		C. DANNER	09/02/04	437789	-
		DESIGN	DATE	SCALE: 1/16	
		P. MATTALIANO	09/02/04	THIS DWG. SUPERCEDES	
		THIRD ANGLE PROJECTION	CAD REFERENCE	SHEET 1 OF 1	
REMOVE ALL BURRS AND BREAK SHARP EDGES		DIMENSIONS IN [] ARE MILLIMETERS			

Z66-437789	AA
M87-024-10021-018AFLV	AA
M87-024-10021-018AFL	AA
PART NUMBER	PART REV