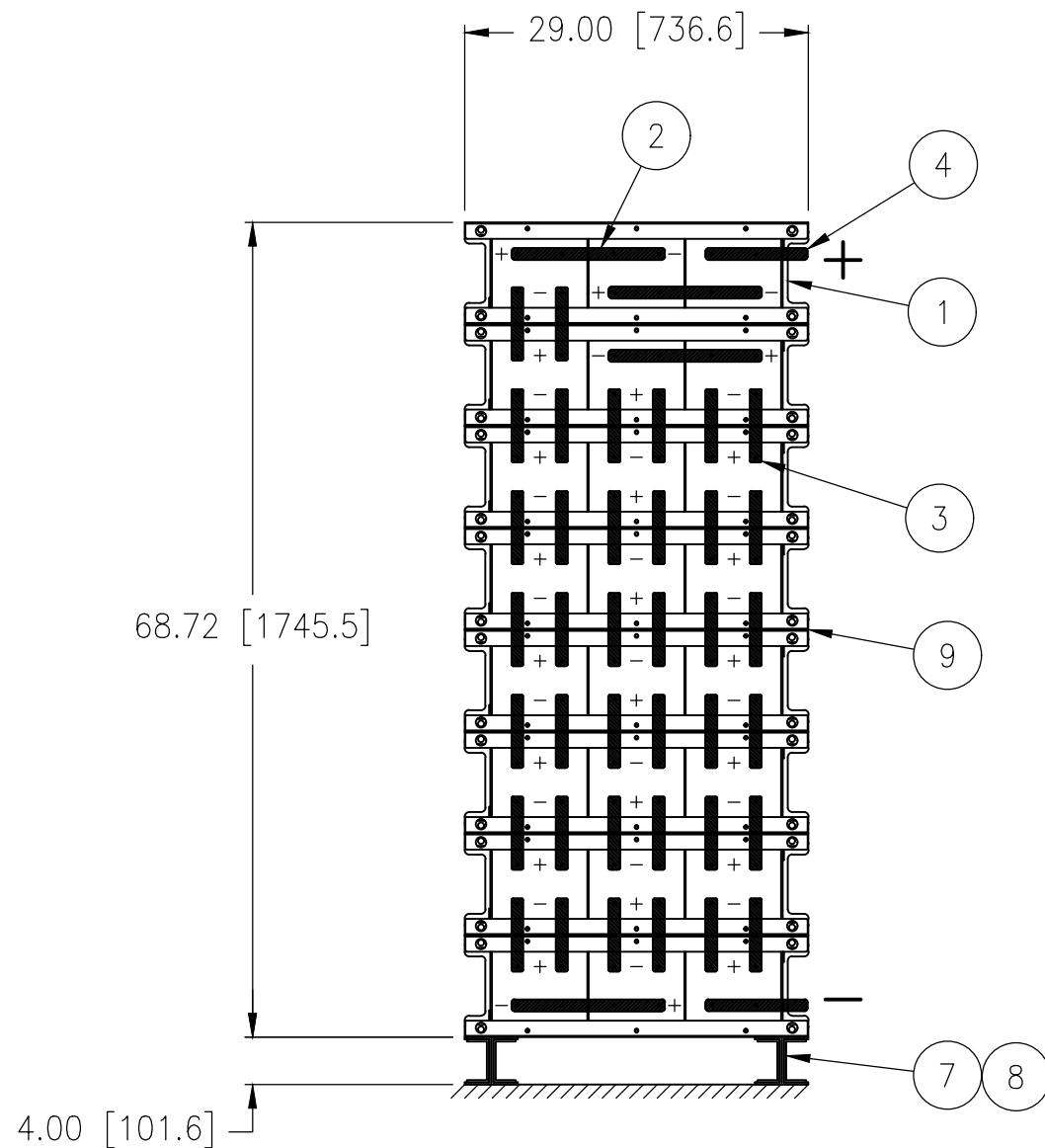


REVISIONS					
ECO NO.	REV	DESCRIPTION	DATE	DRAFT	APPRV
10900732	-	NEW RELEASE	09/02/05	TR	PM



NOTES:

1. DEPTH COVER TO BACK: 26.38 [670.1]
2. APPROXIMATE WEIGHT PER STACK:
8 HIGH: 4120 lbs [1872 kg]
3. USE M6 X 25 BOLTS IN ALL POSTS UNLESS OTHERWISE NOTED.

96	W02-062501	BOLT M6 X 25 A2	NOT SHOWN	13
96	W03-0601	WASHER M6 X 6.4 17.0 3.0 A2	NOT SHOWN	12
1	K17-TPCOV021A	KIT COVER AGP-21 TOP ASSY CLEAR	NOT SHOWN	11
7	K17-ISCOV021A	KIT COVER AGP-21 STD ASSY CLEAR	NOT SHOWN	10
7	K17-417000	KIT HARDWARE MECH INTERMOD		9
1	K17-417006	KIT SEISMIC SHIM 4 X 3.50"		8
1	K17-417031	KIT HORIZONTAL SUPPORT		7
1	K17-417003LP	KIT TERMINAL PLATE STANDARD	NOT SHOWN	6
1	K17-400403	KIT AGP ACCESSORY	NOT SHOWN	5
2	L17-420126-003	CONNECTOR .75 X .12		4
38	L17-109209-010	CONNECTOR .75 X .06		3
4	L17-109214-001	CONNECTOR .75 X .12		2
8	M52-310021 (M53-310021)	003AGP 10021W -+-		1
X	M87-024-10021-018AEL(V)	24-100G21 LOW		X
QTY	PART OR IDENT NO.	NOMENCLATURE OR DESCRIPTION	REMARKS	ITEM

PARTS LIST

UNLESS OTHERWISE SPECIFIED DIMENSIONS ARE IN INCHES TOLERANCES ARE: DECIMALS [MM] FRACTIONAL ANGLE .X± .XX± .XXX± 0.X± 0.XX± ± ± DO NOT SCALE DRAWING		THE USE OF INFORMATION CONTAINED HEREIN IS RESTRICTED FOR THE BENEFIT OF STRYTEN MANUFACTURING LLC ONLY. UNAUTHORIZED USE OR DISCLOSURE, COPYING OR OTHERWISE REPRODUCING (IN ANY MANNER) ANY PORTION OF THIS DRAWING WITHOUT PRIOR WRITTEN PERMISSION OF AN AUTHORIZED OFFICIAL OF STRYTEN MANUFACTURING LLC, IS PROHIBITED.			
MATERIAL: V/O SYSTEM DENOTED BY ()		DRAWN T. RABBANI	DATE 09/02/05	TITLE 24 CELL ABSOLYTE 100G21 (V/O) 1 STACK/ 8 HIGH 3 HOURS OR LONGER BACKUP TO 1.75 VPC	
PROCESS:		CHECK C. DANNER	DATE 09/02/05		
		DESIGN P. MATTALIANO	DATE 09/02/05	SIZE B	CAGE CODE 88219
		THIRD ANGLE PROJECTION	CAD REFERENCE	DRAWING NO. 437707	REV -
REMOVE ALL BURRS AND BREAK SHARP EDGES		DIMENSIONS IN [] ARE MILLIMETERS		SCALE: 1/16	THIS DWG. SUPERCEDES

Z66-437707	AA
M87-024-10021-018AELV	AA
M87-024-10021-018AEL	AA
PART NUMBER	PART REV