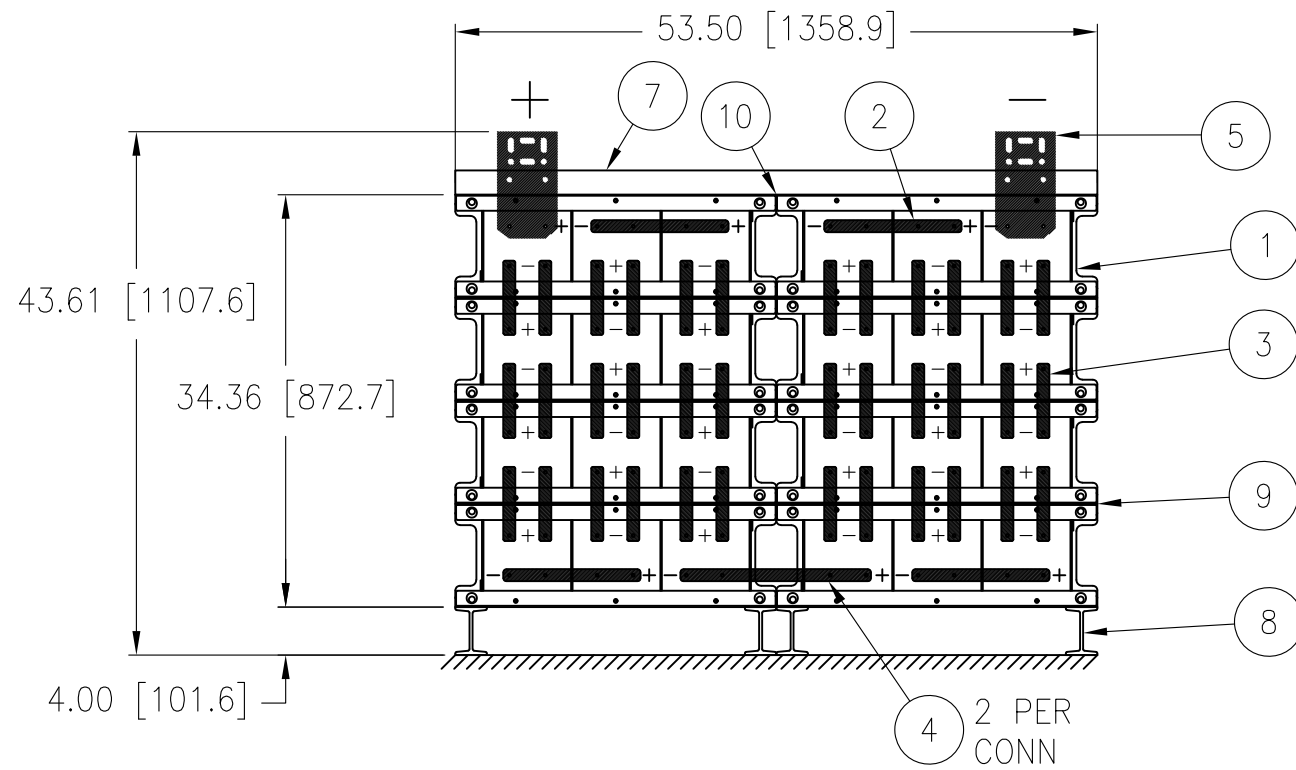


REVISIONS					
ECO NO.	REV	DESCRIPTION	DATE	DRAFT	APPRV
2300325	0	NEW RELEASE	03/16/2023	CD	MFB

NOTES:

- DEPTH COVER TO BACK: 26.38 [670.1]
- APPROXIMATE WEIGHT PER STACK:  
4 HIGH: 1880 lbs [853 kg]
- USE M6 X 25 BOLTS IN ALL POSTS UNLESS OTHERWISE NOTED.



96	W02-062501	BOLT M6 X 25 A2	NOT SHOWN	14
96	W03-0601	WASHER M6 X 6.4 17.0 3.0 A2	NOT SHOWN	13
2	K17-TPCOV019A	KIT COVER AGP-19 TOP ASSY CLEAR	NOT SHOWN	12
6	K17-ISCOV019A	KIT COVER AGP-19 STD ASSY CLEAR	NOT SHOWN	11
1	K17-417001	KIT TIE PLATE MECH STACK/STACK	NOT SHOWN	10
6	K17-417000	KIT HARDWARE MECH INTERMOD		9
2	K17-417030	KIT HORIZONTAL SUPPORT		8
2	S11-420625-019	BRACKET TERMINAL PLATE SUPPORT		7
1	K17-400403	KIT AGP ACCESSORY	NOT SHOWN	6
1	K17-417272	KIT TOP TERMINAL PLATE 17, 19 PLT		5
2	L17-109219-002	CONNECTOR .75 X .12		4
36	L17-109209-010	CONNECTOR .75 X .06		3
4	L17-109212-002	CONNECTOR .75 X .12		2
8	M52-310019 (M53-310019)	003AGP 10019W --+		1
X	M87-024-10019-024TBL(V)	24-100G19 LOW		X
QTY	PART OR IDENT NO.	NOMENCLATURE OR DESCRIPTION	REMARKS	ITEM

PARTS LIST

UNLESS OTHERWISE SPECIFIED DIMENSIONS ARE IN INCHES TOLERANCES ARE:		THE USE OF INFORMATION CONTAINED HEREIN IS RESTRICTED FOR THE BENEFIT OF STRYTEN ENERGY LLC ONLY. UNAUTHORIZED USE OR DISCLOSURE, COPYING OR OTHERWISE REPRODUCING (IN ANY MANNER) ANY PORTION OF THIS DRAWING WITHOUT PRIOR WRITTEN PERMISSION OF AN AUTHORIZED OFFICIAL OF STRYTEN ENERGY LLC, IS PROHIBITED.			
DECIMALS	[MM]	FRACTIONAL	ANGLE		
.X±	X±	±	±	TITLE	
.XX±	0.X±			24 CELL ABSOLYTE 100G19 (V-0)	
.XXX±	0.XX±			2 STACKS / 4 HIGH	
	DO NOT SCALE DRAWING			3 HOURS OR LONGER BACKUP TO 1.75 VPC	
MATERIAL:	V-0 SYSTEM DENOTED BY ( )	DRAWN	C. DANNER	DATE	03/16/2023
		CHECK	C. DANNER	DATE	03/16/2023
		DESIGN	C. DANNER	DATE	03/16/2023
PROCESS:		THIRD ANGLE PROJECTION		SIZE	B
				CAGE CODE	88219
				DRAWING NO.	441747
				REV	0
				SCALE: 1/16	
				THIS DWG. SUPERCEDES	
				SHEET 1 OF 1	

Z66-441747	AA
M87-024-10019-024TBLV	AA
M87-024-10019-024TBL	AA
PART NUMBER	PART REV