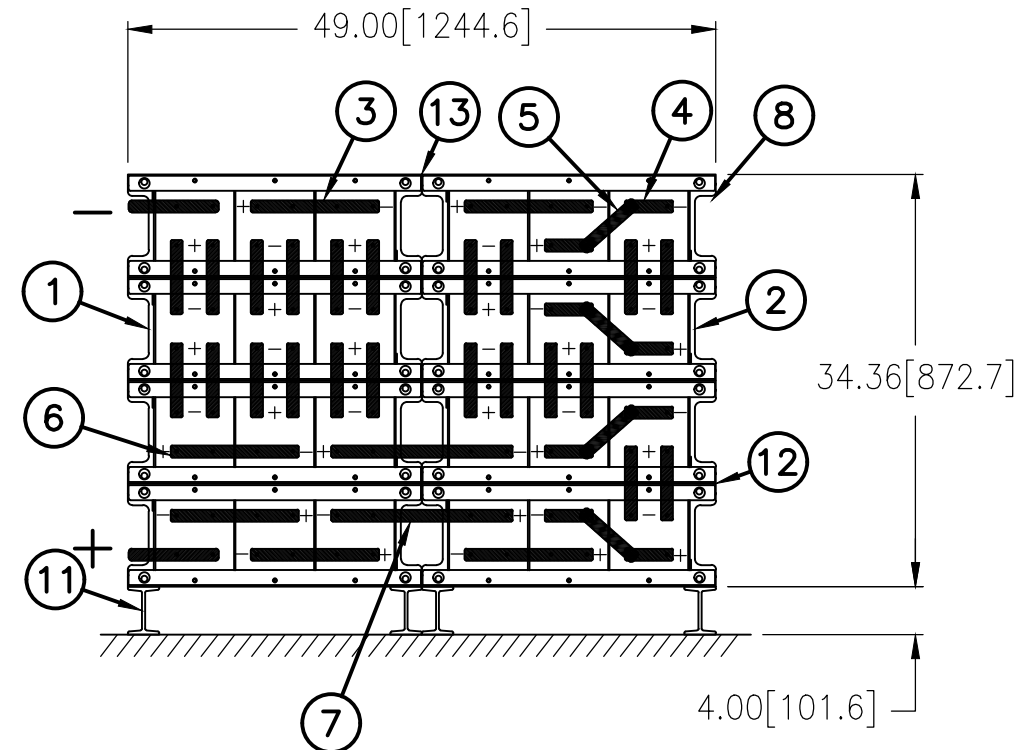


REVISIONS					
ECO NO.	REV	DESCRIPTION	DATE	DRAFT	APPRV
11000202	-	NEW RELEASE	09/08/24	PWM	PWM

NOTES:

1. DEPTH COVER TO BACK: 26.38 [670.1]
2. APPROXIMATE WEIGHT PER STACK:
4 HIGH: 1696 lbs [770 kg]
3. USE M6 X 25 BOLTS IN ALL POSTS UNLESS OTHERWISE NOTED.
4. TERMINAL PLATE ASSEMBLIES WILL ADD TO OVERALL DIMENSIONS; CONSULT I&O MANUAL FOR DETAILS.



96	W02-062501	BOLT M6 X 25 A2	NOT SHOWN	17
96	W03-0601	WASHER M6 X 6.4 17.0 3.0 A2	NOT SHOWN	16
2	K17-TPCOV017A	COVER AGP-17 TOP ASSY CLEAR	NOT SHOWN	15
6	K17-ISCOV017A	COVER AGP-17 STD ASSY CLEAR	NOT SHOWN	14
1	K17-417001	KIT TIE PLATE MECH STK/STK		13
6	K17-417000	KIT HARDWARE MECH INTERMOD		12
2	K17-417030	KIT HORIZONTAL SUPPORT		11
1	K17-417003LP	KIT TERMINAL PLATE STANDARD	NOT SHOWN	10
1	K17-400403	KIT AGP ACCESSORY	NOT SHOWN	9
2	L17-420126-001	CONNECTOR .75 X .12		8
2	L17-109219-001	CONNECTOR .75 X .12		7
22	L17-109209-010	CONNECTOR .75 X .06		6
4	L17-106397-007	CONNECTOR .75 X .12		5
8	L17-109210-031	CONNECTOR .75 X .12		4
6	L17-109212-001	CONNECTOR .75 X .12		3
4	M52-3100172 (M53-3100172)	003AGP 10017W ++-		2
4	M52-310017 (M53-310017)	003AGP 10017W -+-		1
X	M87-024-10017-024ADL(V)	24-100G17 LOW		X
QTY	PART OR IDENT NO.	NOMENCLATURE OR DESCRIPTION	REMARKS	ITEM

PARTS LIST

UNLESS OTHERWISE SPECIFIED DIMENSIONS ARE IN INCHES TOLERANCES ARE:		THE USE OF INFORMATION CONTAINED HEREIN IS RESTRICTED FOR THE BENEFIT OF STRYTEN MANUFACTURING LLC ONLY. UNAUTHORIZED USE OR DISCLOSURE, COPYING OR OTHERWISE REPRODUCING (IN ANY MANNER) ANY PORTION OF THIS DRAWING WITHOUT PRIOR WRITTEN PERMISSION OF AN AUTHORIZED OFFICIAL OF STRYTEN MANUFACTURING LLC, IS PROHIBITED.			
DECIMALS	[MM]	FRACTIONAL	ANGLE		
.X±	X±	±	±	TITLE	
.XX±	0.X±			24 CELL ABSOLUTE 100G17 (V/O)	
.XXX±	0.XX±			2 STACKS/4 HIGH	
	DO NOT SCALE DRAWING			3 HOURS OR LONGER BACKUP TO 1.75 VPC	
MATERIAL:		DRAWN		SIZE	CAGE CODE
V/O SYSTEM DENOTED BY ()		P. MATTALIANO		B	88219
		DATE		DRAWING NO.	
		09/08/24		438402	
		CHECK		REV	
		P. MATTALIANO		-	
		DATE			
		09/08/24			
PROCESS:		DESIGN			
		P. MATTALIANO			
		DATE			
		09/08/24			
		THIRD ANGLE PROJECTION			
		CAD REFERENCE			
		CREATED WITH AC			
REMOVE ALL BURRS AND BREAK SHARP EDGES		DIMENSIONS IN [] ARE MILLIMETERS		SCALE: 1/16	
				THIS DWG. SUPERCEDES	
				SHEET 1 OF 1	

Z66-438402	AA
M87-024-10017-024ADLV	AA
M87-024-10017-024ADL	AA
PART NUMBER	PART REV