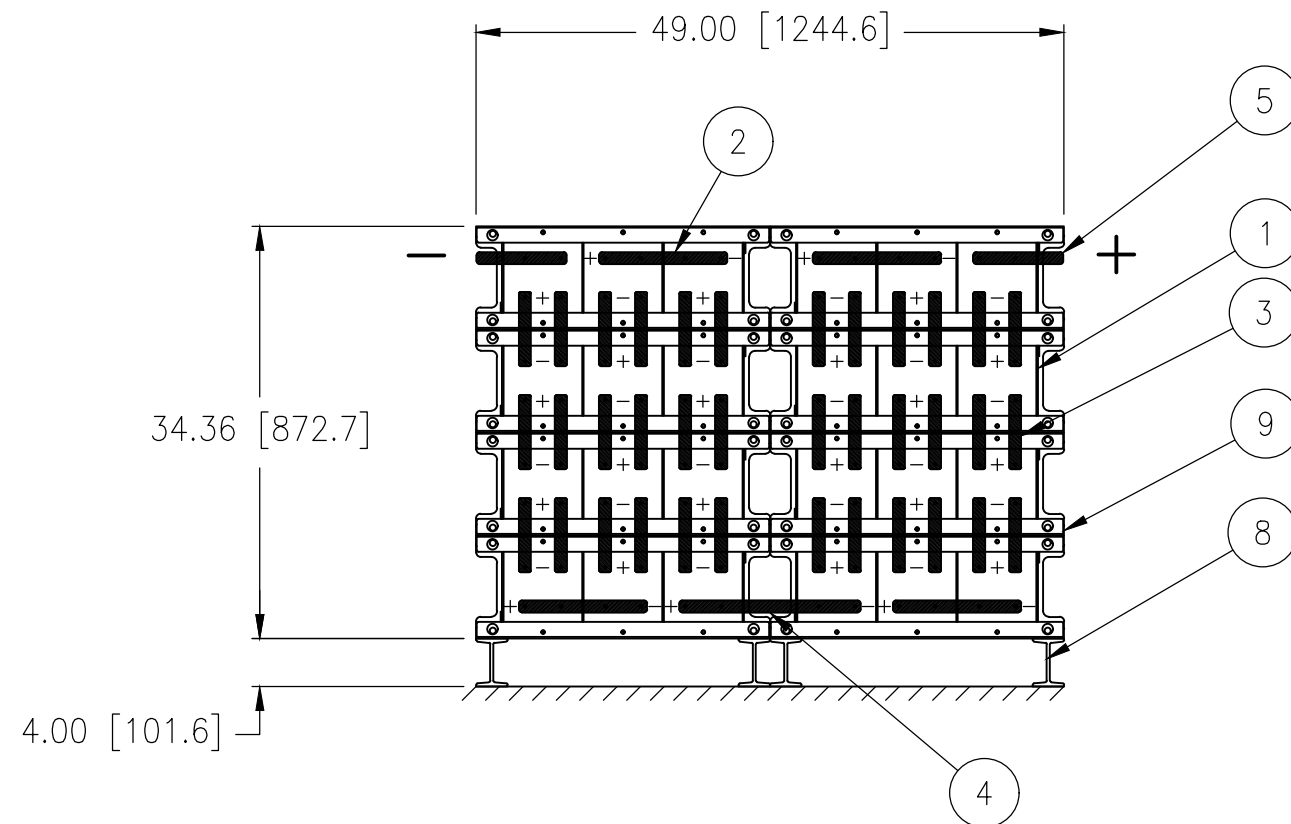


REVISIONS					
ECO NO.	REV	DESCRIPTION	DATE	DRAFT	APPRV
10900763	-	NEW RELEASE	09/03/16	TR	CD

NOTES:

1. DEPTH COVER TO BACK: 26.38 [670.0]
2. APPROXIMATE WEIGHT PER STACK:
4 HIGH: 1696 lbs [769 kg]
3. USE M6 X 25 BOLTS IN ALL POSTS UNLESS OTHERWISE NOTED.



96	W02-062501	BOLT M6 X 25 A2	NOT SHOWN	14
96	W03-0601	WASHER M6 X 6.4 17.0 3.0 A2	NOT SHOWN	13
2	K17-TPCOV017A	KIT COVER AGP-17 TOP ASSY CLEAR	NOT SHOWN	12
6	K17-ISCOV017A	KIT COVER AGP-17 STD ASSY CLEAR	NOT SHOWN	11
1	K17-417001	KIT TIE PLATE MECH STACK/STACK		10
6	K17-417000	KIT HARDWARE MECH INTERMOD		9
2	K17-417030	KIT HORIZONTAL SUPPORT		8
1	K17-417003LP	KIT TERMINAL PLATE STANDARD	NOT SHOWN	7
1	K17-400403	KIT AGP ACCESSORY	NOT SHOWN	6
2	L17-420126-001	CONNECTOR .75 X .12		5
1	L17-109219-001	CONNECTOR .75 X .13		4
36	L17-109209-010	CONNECTOR .75 X .06		3
4	L17-109212-001	CONNECTOR .75 X .12		2
8	M52-310017 (M53-310017)	003AGP 10017W -+-		1
X	M87-024-10017-024AAL(V)	24-100G17 LOW		X
QTY	PART OR IDENT NO.	NOMENCLATURE OR DESCRIPTION	REMARKS	ITEM

PARTS LIST

UNLESS OTHERWISE SPECIFIED DIMENSIONS ARE IN INCHES TOLERANCES ARE:		THE USE OF INFORMATION CONTAINED HEREIN IS RESTRICTED FOR THE BENEFIT OF STRYTEN MANUFACTURING LLC ONLY. UNAUTHORIZED USE OR DISCLOSURE, COPYING OR OTHERWISE REPRODUCING (IN ANY MANNER) ANY PORTION OF THIS DRAWING WITHOUT PRIOR WRITTEN PERMISSION OF AN AUTHORIZED OFFICIAL OF STRYTEN MANUFACTURING LLC, IS PROHIBITED.					
DECIMALS	[MM]	FRACTIONAL	ANGLE			TITLE	
.X±	X±	±	±	24 CELL ABSOLYTE 100G17 (V/O)			
.XX±	0.X±			2 STACKS / 4 HIGH			
.XXX±	0.XX±			3 HOURS OR LONGER BACKUP TO 1.75 VPC			
DO NOT SCALE DRAWING				SIZE	CAGE CODE	DRAWING NO.	REV
MATERIAL:		DRAWN	DATE	B	88219	437981	-
V/O SYSTEM DENOTED BY ()		CHECK	DATE				
		DESIGN	DATE				
PROCESS:		THIRD ANGLE PROJECTION	CAD REFERENCE				
			CREATED WITH AC				
REMOVE ALL BURRS AND BREAK SHARP EDGES		DIMENSIONS IN [] ARE MILLIMETERS		SCALE: 1/16	THIS DWG. SUPERCEDES		SHEET 1 OF 1

Z66-437981	AA
M87-024-10017-024AALV	AA
M87-024-10017-024AAL	AA
PART NUMBER	PART REV