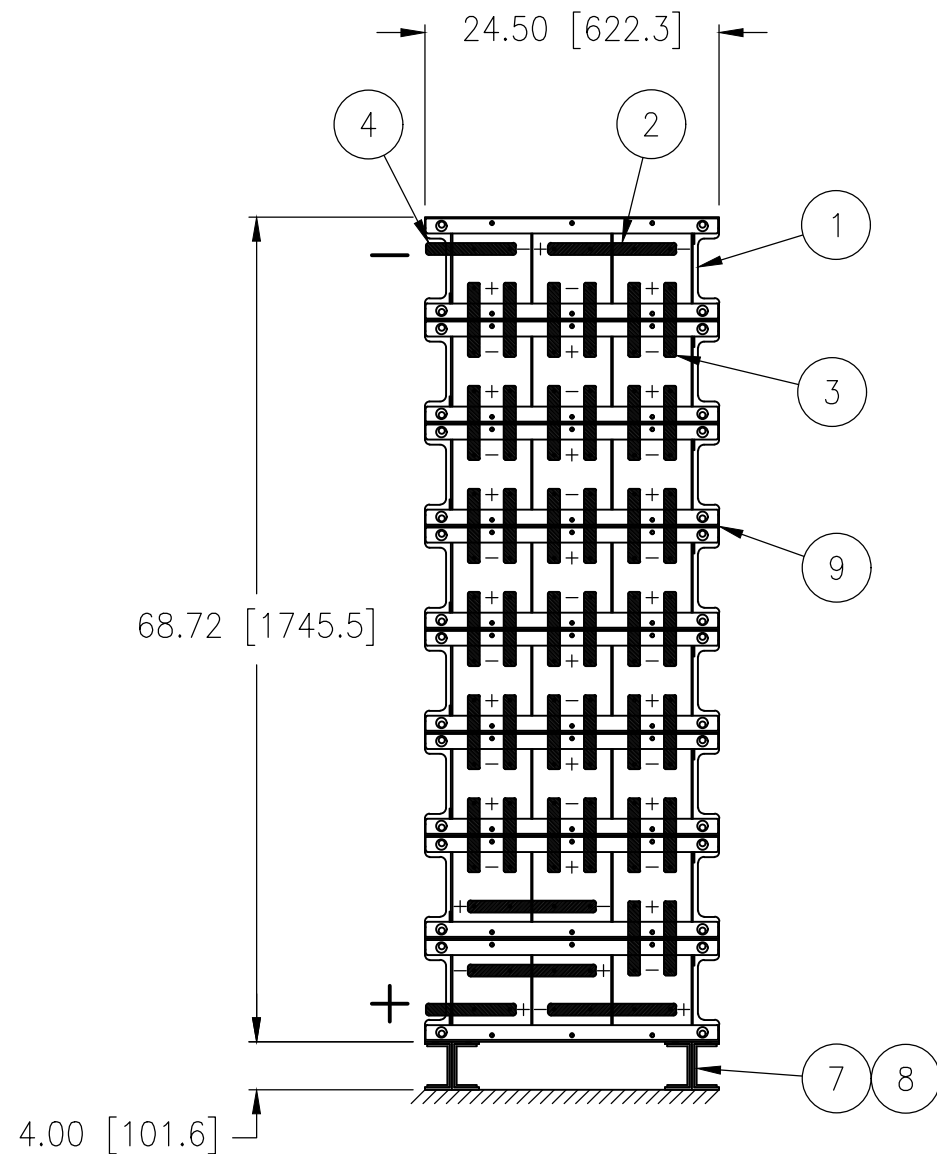


REVISIONS					
ECO NO.	REV	DESCRIPTION	DATE	DRAFT	APPRV
10900763	-	NEW RELEASE	09/03/16	TR	CD



NOTES:

1. DEPTH COVER TO BACK: 26.38 [670.1]
2. APPROXIMATE WEIGHT PER STACK:
8 HIGH: 3392 lbs [1539 kg]
3. USE M6 X 25 BOLTS IN ALL POSTS UNLESS OTHERWISE NOTED.

96	W02-062501	BOLT M6 X 25 A2	NOT SHOWN	13
96	W03-0601	WASHER M6 X 6.4 17.0 3.0 A2	NOT SHOWN	12
1	K17-TPCOV017A	KIT COVER AGP-17 TOP ASSY CLEAR	NOT SHOWN	11
7	K17-ISCOV017A	KIT COVER AGP-17 STD ASSY CLEAR	NOT SHOWN	10
7	K17-417000	KIT HARDWARE MECH INTERMOD		9
1	K17-417006	KIT SEISMIC SHIM 4 X 3.50"		8
1	K17-417031	KIT HORIZONTAL SUPPORT		7
1	K17-417003LP	KIT TERMINAL PLATE STANDARD	NOT SHOWN	6
1	K17-400403	KIT AGP ACCESSORY	NOT SHOWN	5
2	L17-420126-001	CONNECTOR .75 X .12		4
38	L17-109209-010	CONNECTOR .75 X .06		3
4	L17-109212-001	CONNECTOR .75 X .12		2
8	M52-310017 (M53-310017)	003AGP 10017W --+		1
X	M87-024-10017-018ADL(V)	24-100G17 LOW		X
QTY	PART OR IDENT NO.	NOMENCLATURE OR DESCRIPTION	REMARKS	ITEM

PARTS LIST

UNLESS OTHERWISE SPECIFIED DIMENSIONS ARE IN INCHES TOLERANCES ARE: DECIMALS .X± .XX± .XXX± [MM] X± 0.X± 0.XX± FRACTIONAL ± ANGLE ± DO NOT SCALE DRAWING		THE USE OF INFORMATION CONTAINED HEREIN IS RESTRICTED FOR THE BENEFIT OF STRYTEN MANUFACTURING LLC ONLY. UNAUTHORIZED USE OR DISCLOSURE, COPYING OR OTHERWISE REPRODUCING (IN ANY MANNER) ANY PORTION OF THIS DRAWING WITHOUT PRIOR WRITTEN PERMISSION OF AN AUTHORIZED OFFICIAL OF STRYTEN MANUFACTURING LLC, IS PROHIBITED.			
MATERIAL: V/O SYSTEM DENOTED BY ()		DRAWN T. RABBANI 09/03/16 CHECK C. DANNER 09/03/16 DESIGN P. MATTALIANO 09/03/16			
PROCESS:		THIRD ANGLE PROJECTION		TITLE 24 CELL ABSOLYTE 100G17 (V/O) 1 STACK/ 8 HIGH 3 HOURS OR LONGER BACKUP TO 1.75 VPC	
		CAD REFERENCE		SIZE B	CAGE CODE 88219
		CREATED WITH AC		DRAWING NO. 437730	
REMOVE ALL BURRS AND BREAK SHARP EDGES		DIMENSIONS IN [] ARE MILLIMETERS		SCALE: 1/16	THIS DWG. SUPERCEDES
				SHEET 1 OF 1	REV -

Z66-437730	AA
M87-024-10017-018ADLV	AA
M87-024-10017-018ADL	AA
PART NUMBER	PART REV