



PowerSafe[®]
CC-M

Battery Performance Specifications

Features and Benefits

- Capacity range 50-200Ah
- Lead-calcium alloy
- Standard Styrene Acrylonitrile (SAN) jar with flame retardant UL94 V-0 PVC cover; flame retardant jar available
- Thick positive plates maximize performance in long discharge applications
- 20 year life expectancy in float service at 77°F (25°C) ambient temperature
- 2-cell jars available for strings requiring cell counts not divisible by 3

Construction

- 0.28" thick positive plates provide excellent long discharge rates and long life
- Square plate configuration enhances high rate performance
- Separator – microporous rubber with glass fiber retainers
- Electrolyte – dilute sulfuric acid with specific gravity of 1.215 (1.250 available upon request)
- Individual posts to monitor individual cell performance
- Slide-Lock™ post seal design
- Flame arrestors - included for increased operational safety

Installation and Operation

- Space efficient footprint
- Designed to be rack-mounted with easy access to posts
- Excellent long discharge and complex duty cycle capability
- Lead-calcium design reduces maintenance (less watering) over traditional lead-antimony batteries
- All posts and connectors reside above the cell cover for easier maintenance, cell monitoring and measurements
- Operating temperature: 32°F (0°C) to 104°F (40°C)
Recommended temperature: 68°F (20°C) to 86°F (30°C)

Standards

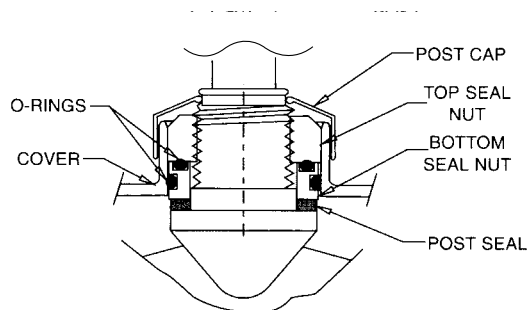
- The management systems governing the manufacture of this product are ISO 9001 and ISO 14001 certified
- Optional testing in accordance to IEEE 450 or customer duty cycle available

General Specifications

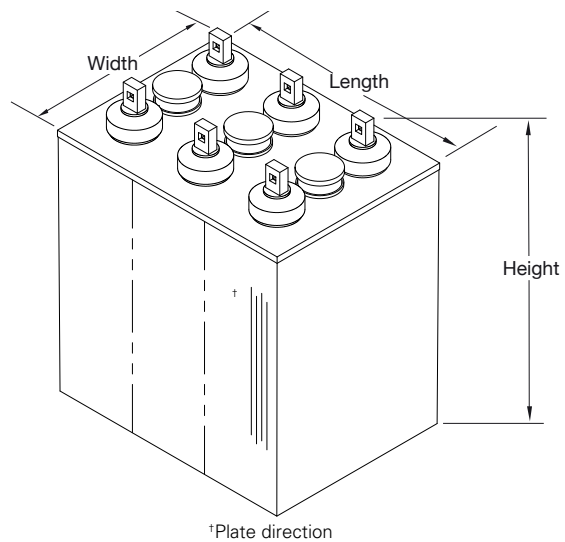
Battery Type*	Nominal Capacity (Ah) 8 hr rate to 1.75Vpc @ 25°C/77°F	Nominal Dimensions						Electrolyte (1.215 SG)					
		Length**		Width		Height		Weight		Volume (per jar)		Weight (per jar)	
		in	mm	in	mm	in	mm	lbs	kg	gal	L	lbs	kg
3CC-03M	50	7.0	178	9.0	229	14.8	375	57	26	1.6	6.1	16.3	7.4
3CC-05M	100	7.0	178	9.0	229	14.8	375	74	34	1.5	5.7	15.2	6.9
3CC-07M	150	12.2	310	9.0	229	14.8	375	114	52	3.3	12.5	33.5	15.2
3CC-09M	200	12.2	310	9.0	229	14.8	375	132	60	3.2	12.1	32.5	14.8

* Prefix number indicates cells per unit. Suffix number indicates total plates per cell.

**0.25" must be added between cells for spacing purposes when calculating total battery length.



Slide-Lock™ Post Seal



Rint and Isc

Battery Type	Resistance*	Isc
	Milliohms	Amps
3CC-03M	3.730	540
3CC-05M	1.895	1060
3CC-07M	1.285	1560
3CC-09M	0.980	2040

*Resistance values are for reference only not intended to represent an ohmic value or base line measurement

Constant Current

1.215 Specific Gravity Discharge Rates in Amperes per Cell to 1.75Vpc at 77°F (25°C)

Battery Type	Nominal Capacity*	Minutes			Hours								
		1	15	30	1	1.5	2	3	4	5	8	12	24
3CC-03M	50	70.8	50.7	38.7	27.0	20.9	17.2	12.9	10.4	8.8	6.3	4.5	2.5
3CC-05M	100	141.6	101.3	77.3	53.9	41.9	34.4	25.7	20.8	17.7	12.5	9.0	4.9
3CC-07M	150	212.4	152.0	116.0	80.9	62.8	51.7	38.5	31.2	26.5	18.8	13.5	7.4
3CC-09M	200	283.1	202.7	154.6	107.8	83.8	68.9	51.4	41.6	35.3	25.0	17.9	9.8

*Nominal Ah Capacity based on an 8 hour discharge

Rates are subject to change without notice.

1.215 Specific Gravity Discharge Rates in Amperes per Cell to 1.81Vpc at 77°F (25°C)

Battery Type	Nominal Capacity*	Minutes			Hours								
		1	15	30	1	1.5	2	3	4	5	8	12	24
3CC-03M	50	54.6	41.2	32.4	23.4	18.6	15.5	11.8	9.7	8.3	5.9	4.3	2.4
3CC-05M	100	109.2	82.3	64.7	46.7	37.2	31.0	23.6	19.3	16.6	11.9	8.5	4.7
3CC-07M	150	163.9	123.5	97.1	70.1	55.7	46.4	35.3	29.0	24.9	17.8	12.8	7.1
3CC-09M	200	218.5	164.6	129.5	93.4	74.3	61.9	47.1	38.7	33.2	23.8	17.1	9.5

*Nominal Ah Capacity based on an 8 hour discharge

Rates are subject to change without notice.



Visit us at www.enersys.com



Power/Full Solutions

EnerSys World Headquarters
2366 Bernville Road
Reading, PA 19605, USA
Tel: +1-610-208-1991 /
+1-800-538-3627

EnerSys EMEA
EH Europe GmbH
Baarerstrasse 18
6300 Zug, Switzerland

EnerSys Asia
152 Beach Road
#11-08 Gateway East Building
Singapore 189721
Tel: +65 6416 4800