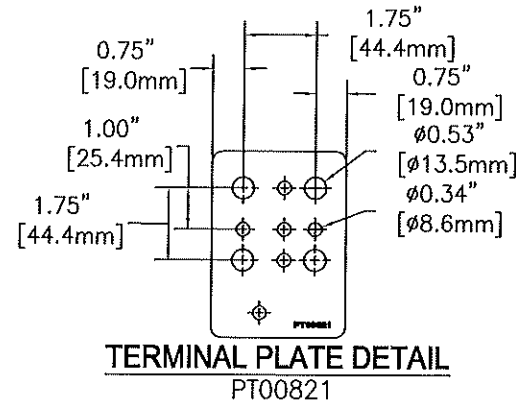
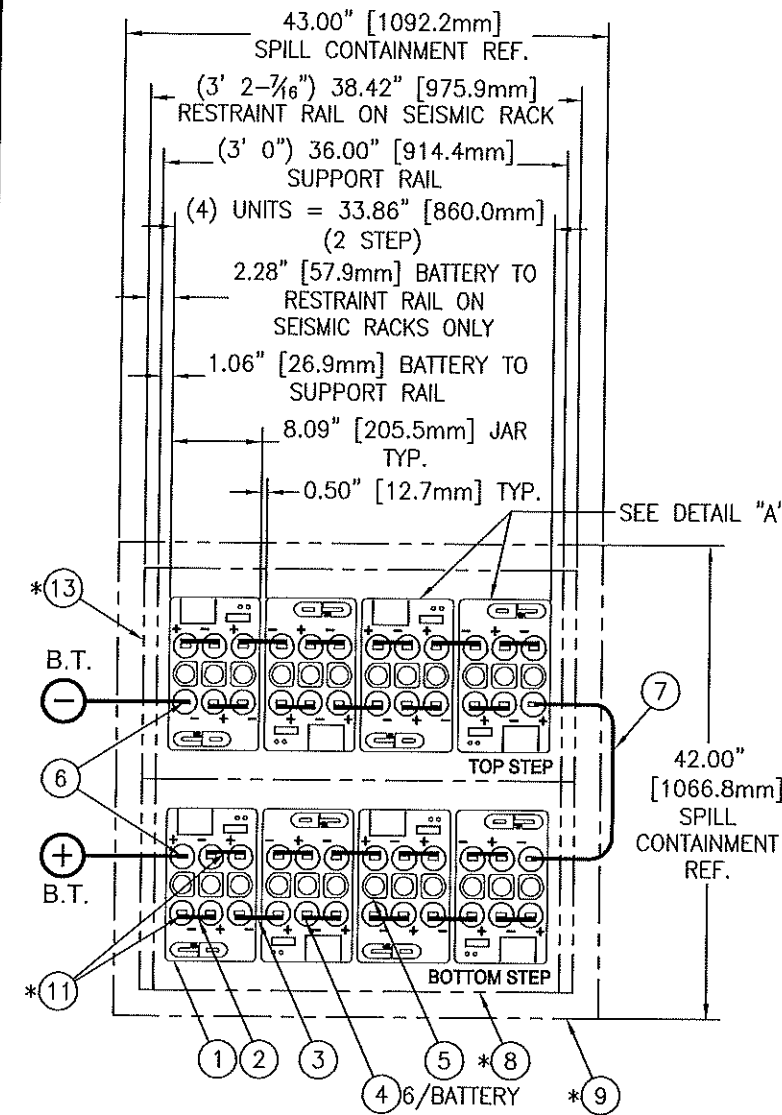


NOTICE: THIS DRAWING AND THE INFORMATION DISCLOSED ARE THE CONFIDENTIAL AND PROPRIETARY TO C&D TECHNOLOGIES, INC. AND MAY NOT BE DUPLICATED, REPRODUCED, USED OR DISCLOSED BY OR TO ANY PERSON OR PARTY OUTSIDE OF THE COMPANY IN ANY WAY WITHOUT THE WRITTEN PERMISSION OF A DULY AUTHORIZED EMPLOYEE OF THE COMPANY. Copyright © 2004

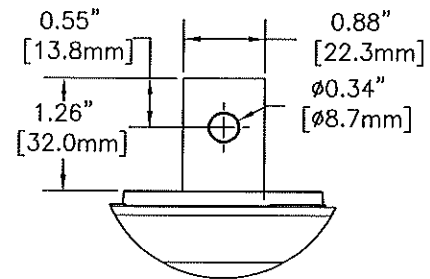
ECN15522

REVISION HISTORY

ZONE	REV	DESCRIPTION	ECN#	REV'D	CHK'D	DATE	APPROVED



TERMINAL PLATE DETAIL
PT00821



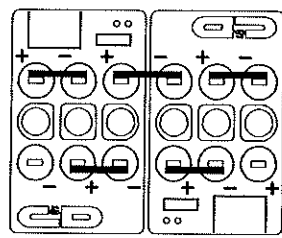
POST DETAIL
(POST IS 0.38\"/>

48 VDC BATTERY SYSTEM			
ITEM	QTY.	PART NO.	DESCRIPTION
1	8	CW18522-PVC(C)	3DJ-05HP/3DJC-05HP BATTERY UNIT (K12022)
	8	CW18523-PVC(C)	3DJ-07HP/3DJC-07HP BATTERY UNIT (K12022)
	8	CW18524-PVC(C)	3DJ-09HP/3DJC-09HP BATTERY UNIT (K12022)
	8	CW18525-PVC(C)	3DJ-11HP/3DJC-11HP BATTERY UNIT (K12022)
2	16	PK04629	INTER-CELL CONNECTOR (3.59 x 1.00 x 0.12)
3	6	PK04630	INTER-UNIT CONNECTOR (4.41 x 1.00 x 0.12)
4	48	PB00341	BOLT ASSEMBLY SS, EACH CONSISTING OF: (1) PB00340 5/16-18 x 1.00\"/>
5	24	PV00722	FLAME ARRESTOR ASSEMBLY DJ
6	2	PT00821	TERMINAL PLATE (K10913)
7	1	RA02182-40	CABLE ASSEMBLY 4/0 CABLE 40\"/>
ADDITIONAL ITEMS			
8	1	RDB0803-03P	RACK ASSEMBLY, 2-STEP NON-SEISMIC (M11422)
	1	RDB0803-03EP1P	RACK ASSEMBLY, 2-STEP EP1 UBC1994 Z2 (M11423)
	1	RDB0803-03EP2P	RACK ASSEMBLY, 2-STEP EP2 UBC1994 Z4 (M11424)
	1	RDB0803-03-693	RACK ASSEMBLY, 2-STEP IEEE-693 2005 (M14099)
9	1	SP42043L	SPILL CONTAINMENT WITH LINER
10A	6	RE02458	JAR SPACER, FOR SEISMIC RACKS
10B	6	RE04260	JAR SPACER, FOR SEISMIC RACKS, FLAME RETARDANT
11	4	RD00907-03	CONNECTOR COVER
12	1	RE04462-250	CABLE CLAMP ASSEMBLY, FOR (1) 3/0-250MCM CABLE
13	1	RE03526-250	CABLE CLAMP ASSEMBLY, FOR (4) 3/0-250MCM CABLE
14	1	PL00511	HYDROMETER HOLDER
15	1	PL00667	HYDROMETER
16	1	PL00645	THERMOMETER 'F, 6\"/>

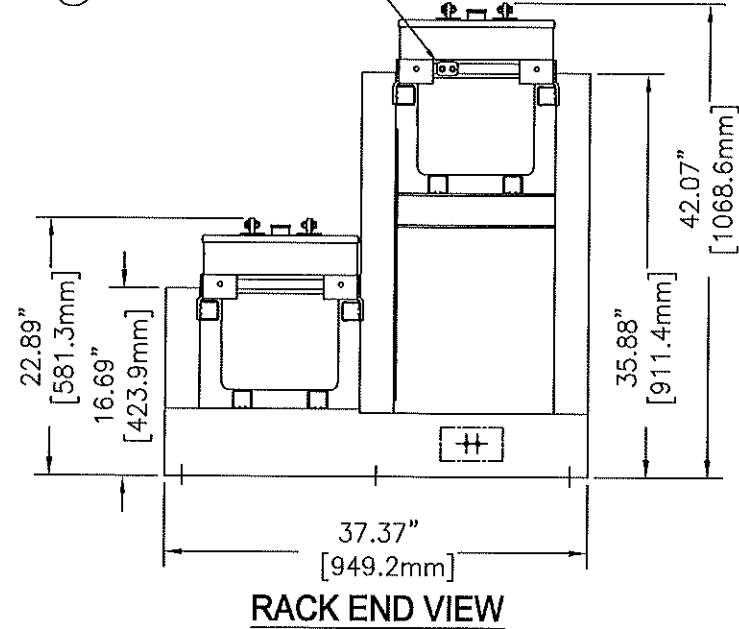
* ADDITIONAL ITEMS MUST BE ORDERED SEPARATELY.

NOTES:

- ALL DIMENSIONS ARE REFERENCE.
- ITEMS 2 THRU 7 ARE SUPPLIED IN ACCESSORY KIT, RE05646-2S.
- ADDITIONAL ITEMS IN BILL OF MATERIALS MUST BE ORDERED AS SEPARATE LINE ITEMS.
- C&D SEISMIC RACKS REQUIRE JAR SPACERS.
- BRACES AND HARDWARE CAN ADD UP TO 1.5\"/>



DETAIL "A"
FOR CORRECT POLARITY, EVERY OTHER JAR IS ROTATED 180°



RACK END VIEW

UNLESS OTHERWISE SPECIFIED DIMENSIONS ARE IN INCHES.	DRAWN C.ELLIS	DATE 11/28/18
TOLERANCES ON: DIMENSIONS: XX XXX ANGLES: XXX	CHECKED C.PEZZA	DATE 3/28/19
THIRD ANGLE PROJECTION	APPROVED <i>D. Palston</i>	DATE 7/30/19
MATERIAL	APPROVED	
PER:	SPEC:	FILE: RE05646-2S

ALL SHEETS ARE THE SAME REVISION STATUS			
C&D TECHNOLOGIES, INC.			
1400 UNION MEETING ROAD, BLUE BELL, PA 19422-0858 www.cdtechno.com			
TITLE BATTERY ARRANGEMENT - 48 VDC 2-STEP RACK, (8) 3DJ-HP/3DJC-HP			
SIZE C	CAGE CODE	DRAWING NUMBER RE05646-2S	REVISION 0
SCALE N.T.S.		SHEET 1 OF 1	