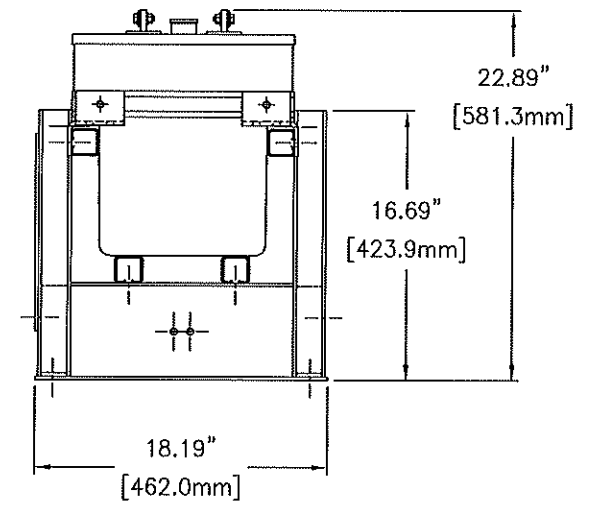
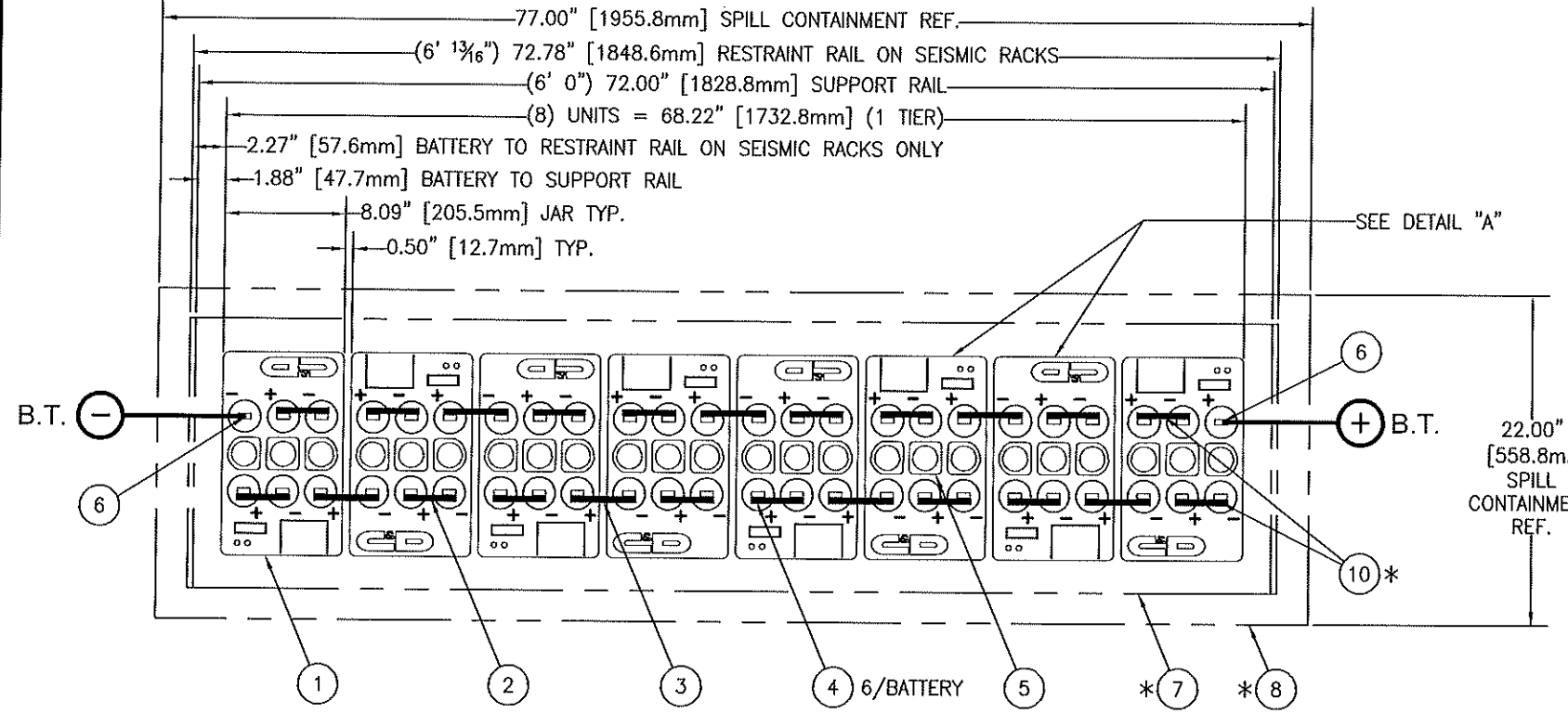


NOTICE: THIS DRAWING AND THE INFORMATION DISCLOSED ARE THE CONFIDENTIAL AND PROPRIETARY TO C&D TECHNOLOGIES, INC. AND MAY NOT BE DUPLICATED, REPRODUCED, USED OR DISCLOSED BY OR TO ANY PERSON OR PARTY OUTSIDE OF THE COMPANY IN ANY WAY WITHOUT THE WRITTEN PERMISSION OF A DULY AUTHORIZED EMPLOYEE OF THE COMPANY. Copyright © 2004

ECN15522

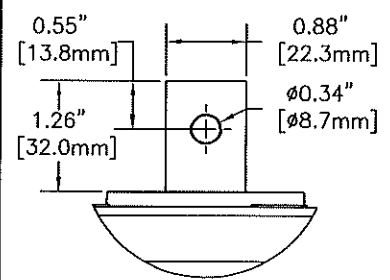
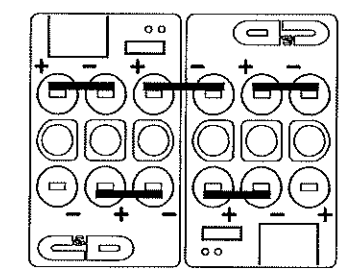
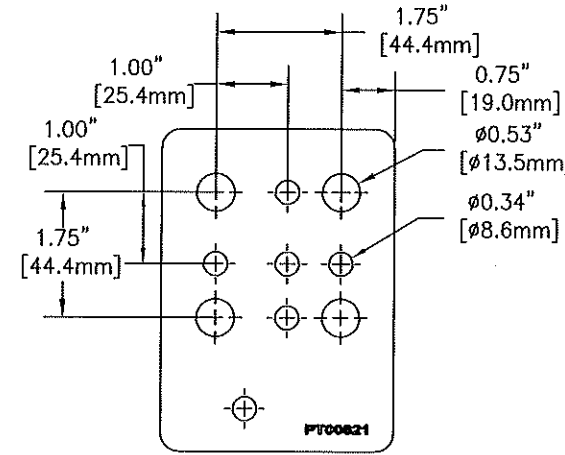
REVISION HISTORY

ZONE	REV	DESCRIPTION	ECN#	REV'D	CHK'D	DATE	APPROVED



48 VDC BATTERY SYSTEM			
ITEM	QTY.	PART NO.	DESCRIPTION
1	8	CW18522-PVC(C)	3DJ-05HP/3DJC-05HP BATTERY UNIT (K12022)
	8	CW18523-PVC(C)	3DJ-07HP/3DJC-07HP BATTERY UNIT (K12022)
	8	CW18524-PVC(C)	3DJ-09HP/3DJC-09HP BATTERY UNIT (K12022)
	8	CW18525-PVC(C)	3DJ-11HP/3DJC-11HP BATTERY UNIT (K12022)
2	16	PK04629	INTER-CELL CONNECTOR (3.59 x 1.00 x 0.12)
3	7	PK04630	INTER-UNIT CONNECTOR (4.41 x 1.00 x 0.12)
4	48	PB00341	BOLT ASSEMBLY SS, EACH CONSISTING OF: (1) PB00340 5/16-18 x 1.00" BOLT (2) PH01340 FLAT WASHERS (1) PB00270 HEX NUT
5	24	PV00722	FLAME ARRESTOR ASSEMBLY
6	2	PT00821	TERMINAL PLATE (K10913)
* ADDITIONAL ITEMS			
7	1	RDB0800-06P	RACK ASSEMBLY, 1-TIER NON-SEISMIC (M11413)
	1	RDB0800-06EP1P	RACK ASSEMBLY, 1-TIER EP1 (M11414)
	1	RDB0800-06EP2P	RACK ASSEMBLY, 1-TIER EP2 (M11415)
8	1	SP22077L	SPILL CONTAINMENT WITH LINER
9A	7	RE02458	JAR SPACER, FOR SEISMIC RACKS
9B	7	RE04260	JAR SPACER, FOR SEISMIC RACKS, FLAME RETARDANT
10	2	RD00907-06	CONNECTOR COVER
11	1	PLO0511	HYDROMETER HOLDER
12	1	PLO0667	HYDROMETER
13	1	PLO0645	THERMOMETER 'F, 6"

* ADDITIONAL ITEMS MUST BE ORDERED SEPARATELY.



- NOTES:
- ALL DIMENSIONS ARE REFERENCE.
 - ITEMS 2 THRU 6 ARE SUPPLIED IN ACCESSORY KIT, RE05646-1T.
 - ADDITIONAL ITEMS IN BILL OF MATERIALS MUST BE ORDERED AS SEPARATE LINE ITEMS.
 - C&D SEISMIC RACKS REQUIRE JAR SPACERS.
 - BRACES AND HARDWARE CAN ADD UP TO 1.5" TO RACK WIDTH DIMENSION.
 - REGARDING SPILL CONTAINMENT, PART NUMBER REFLECTS INSIDE DIMENSIONS OF SPILL CONTAINMENT'S BARRIERS, INSIDE DIMENSIONS ARE -2".

UNLESS OTHERWISE SPECIFIED DIMENSIONS ARE IN INCHES. DECIMALS ARE IN THIRDS.	DRAWN C. ELLIS	DATE 11/28/18
CHECKED C. PEZZA	3/28/19	
APPROVED <i>C. Pezza</i>	7/30/19	
THIRD ANGLE PROJECTION		
MATERIAL		
PER:	SPEC:	FILE: RE05646-1T

ALL SHEETS ARE THE SAME REVISION STATUS			
C&D TECHNOLOGIES, INC.			
1400 UNION MEETING ROAD, BLUE BELL, PA 19422-0858 www.cdtechno.com			
TITLE BATTERY ARRANGEMENT - 48 VDC 1-TIER RACK, (8) 3DJ-HP/3DJC-HP UNITS			
SIZE C	CAGE CODE	DRAWING NUMBER RE05646-1T	REVISION 0
SCALE N.T.S.		SHEET 1 OF 1	

4

3

2

1