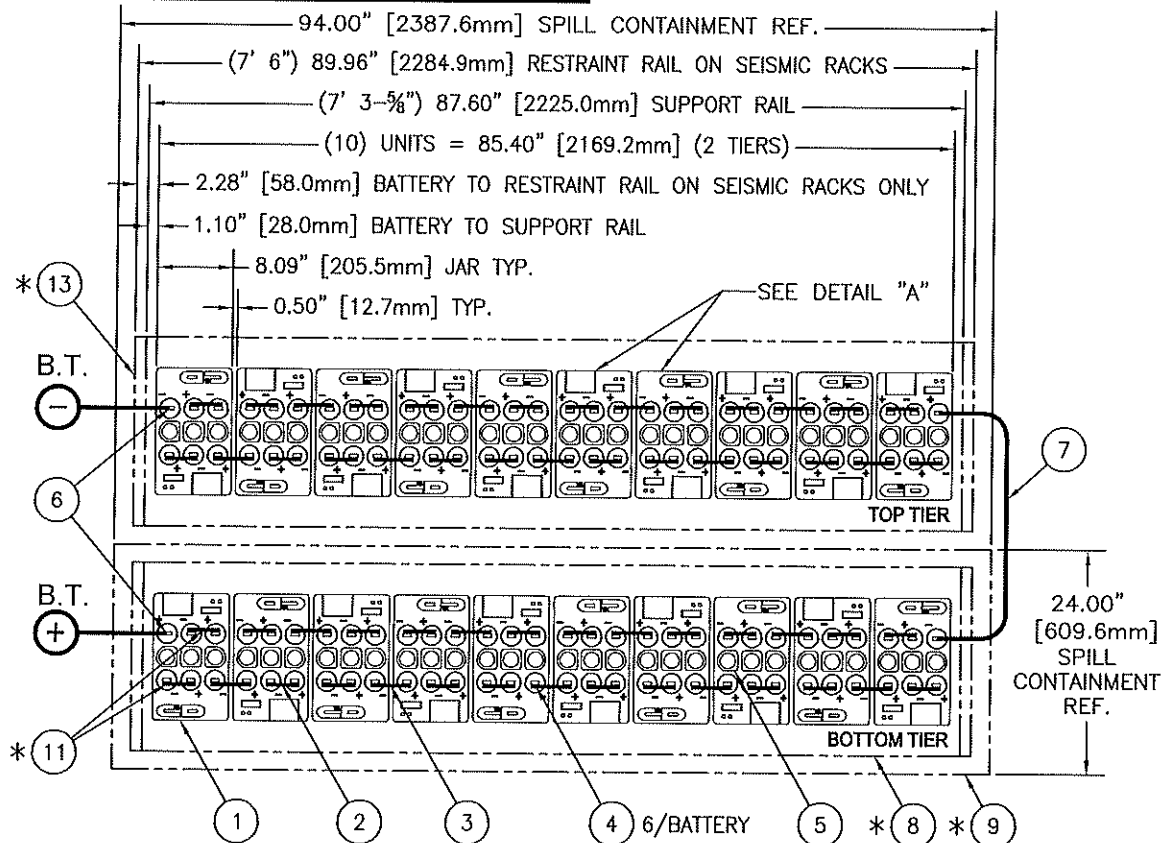


NOTICE: THIS DRAWING AND THE INFORMATION DISCLOSED ARE THE CONFIDENTIAL AND PROPRIETARY TO C&D TECHNOLOGIES, INC. AND MAY NOT BE REPRODUCED, REPRODUCED, USED OR DISCLOSED BY OR TO ANY PERSON OR PARTY OUTSIDE OF THE COMPANY IN ANY WAY WITHOUT THE WRITTEN PERMISSION OF A DULY AUTHORIZED EMPLOYEE OF THE COMPANY. Copyright © 2004.

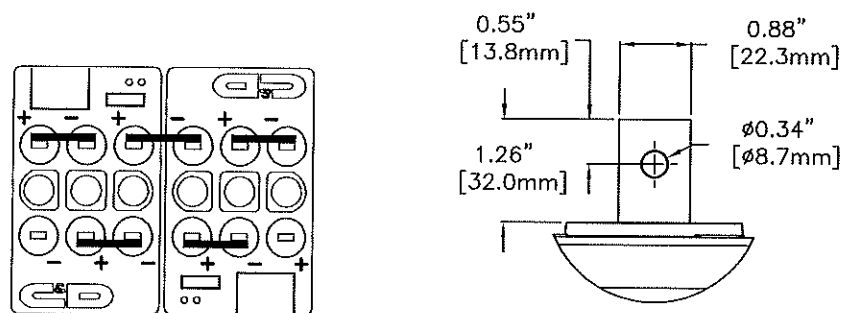
ECN15522

REVISION HISTORY

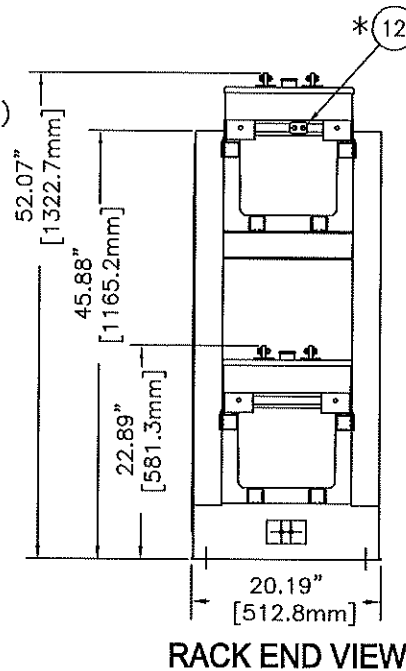
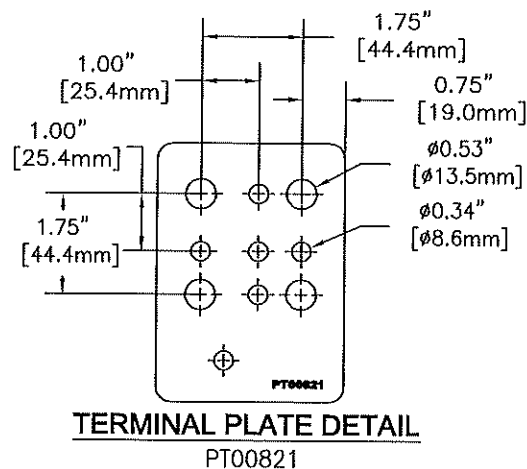
ZONE	REV	DESCRIPTION	ECN#	REV'D	CHK'D	DATE	APPROVED



120/125 VDC BATTERY SYSTEM			
ITEM	QTY.	PART NO.	DESCRIPTION
1	20	CW18522-PVC(C)	3DJ-05HP/3DJC-05HP BATTERY UNIT (K12022)
	20	CW18523-PVC(C)	3DJ-07HP/3DJC-07HP BATTERY UNIT (K12022)
	20	CW18524-PVC(C)	3DJ-09HP/3DJC-09HP BATTERY UNIT (K12022)
	20	CW18525-PVC(C)	3DJ-11HP/3DJC-11HP BATTERY UNIT (K12022)
2	40	PK04629	INTER-CELL CONNECTOR (3.59 x 1.00 x 0.12)
3	18	PK04630	INTER-UNIT CONNECTOR (4.41 x 1.00 x 0.12)
4	120	PB00341	BOLT ASSEMBLY SS, EACH CONSISTING OF: (1) PB00340 5/16-18 x 1.00" BOLT (2) PH01340 FLAT WASHERS (1) PB00270 HEX NUT
5	60	PV00722	FLAME ARRESTOR ASSEMBLY DJ
6	2	PT00821	TERMINAL PLATE (K10913)
7	1	RA02182-40	CABLE ASSEMBLY 4/0 CABLE 40" LONG
* ADDITIONAL ITEMS			
8	1	RDB0801-7.3P	RACK ASSEMBLY, 2-TIER NON-SEISMIC (M11416)
	1	RDB0801-7.3EP1P	RACK ASSEMBLY, 2-TIER EP1 UBC1994 Z2 (M11417)
	1	RDB0801-7.3EP2P	RACK ASSEMBLY, 2-TIER EP2 UBC1994 Z4 (M11418)
	1	RDB0801-7.3-693	RACK ASSEMBLY, 2-TIER IEEE-693 2005 (M14101)
9	1	SP24094L	SPILL CONTAINMENT WITH LINER
10A	18	RE02458	JAR SPACER, FOR SEISMIC RACKS
10B	18	RE04260	JAR SPACER, FOR SEISMIC RACKS, FLAME RETARDANT
11	4	RD00907-07	CONNECTOR COVER
12	1	RE04462-250	CABLE CLAMP ASSEMBLY, FOR (1) 3/0-250MCM CABLE
13	1	RE03526-250	CABLE CLAMP ASSEMBLY, FOR (4) 3/0-250MCM CABLE
14	1	PL00511	HYDROMETER HOLDER
15	1	PL00667	HYDROMETER
16	1	PL00645	THERMOMETER 'F, 6"



DETAIL "A"
FOR CORRECT POLARITY, EVERY OTHER JAR IS ROTATED 180° (POST IS 0.38" [9.7mm] THICK)



* ADDITIONAL ITEMS MUST BE ORDERED SEPARATELY.

NOTES:

- ALL DIMENSIONS ARE REFERENCE.
- ITEMS 2, THRU 7 ARE SUPPLIED IN ACCESSORY KIT, RE05648-2T.
- ADDITIONAL ITEMS IN BILL OF MATERIALS MUST BE ORDERED AS SEPARATE LINE ITEMS.
- C&D SEISMIC RACKS REQUIRE JAR SPACERS.
- BRACES AND HARDWARE CAN ADD UP TO 1.5" TO RACK WIDTH DIMENSION.
- REGARDING SPILL CONTAINMENT, PART NUMBERS REFLECT OUTSIDE DIMENSIONS OF SPILL CONTAINMENT'S BARRIERS, INSIDE DIMENSIONS ARE -2".

UNLESS OTHERWISE SPECIFIED DIMENSIONS ARE IN INCHES. ± TOLERANCES ON:		DRAWN C.ELLIS	DATE 11/26/18
DECIMALS	ANGLES	CHECKED C.PEZZA	3/28/19
X	XX	APPROVED <i>C. Pezza</i>	7/30/19
THIRD ANGLE PROJECTION		MATERIAL	
PER:	SPEC:	FILE: RE05648-2T	

ALL SHEETS ARE THE SAME REVISION STATUS			
C&D TECHNOLOGIES, INC.			
1400 UNION MEETING ROAD, BLUE BELL, PA 19422-0858 www.cdtechno.com			
TITLE BATTERY ARRANGEMENT - 120/125 VDC 2-TIER RACK, (20) 3DJ-HP/3DJC-HP UNITS			
SIZE C	CAGE CODE	DRAWING NUMBER RE05648-2T	REVISION 0
SCALE N.T.S.		SHEET 1 OF 1	