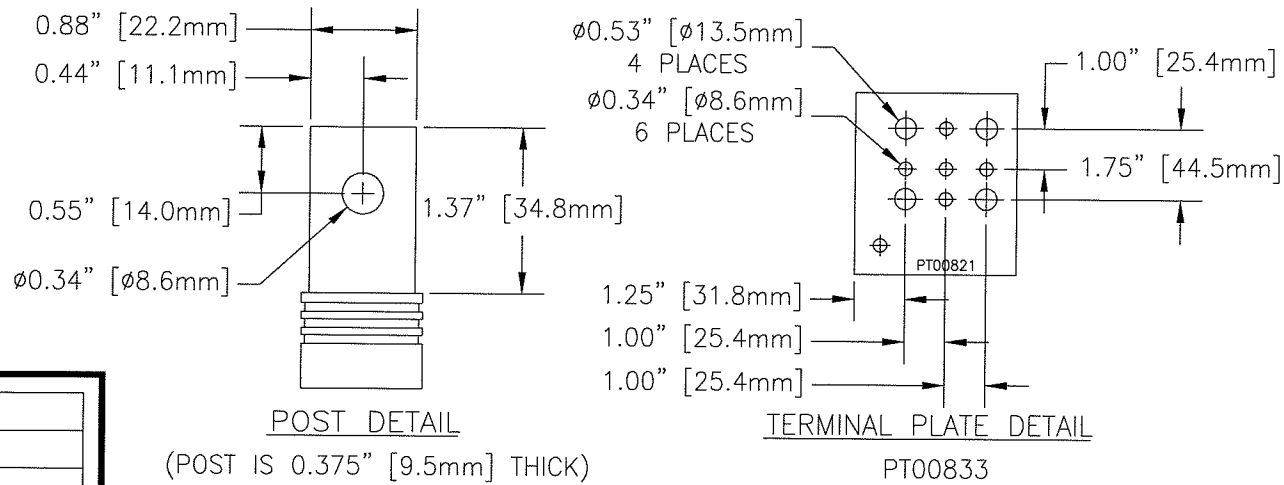
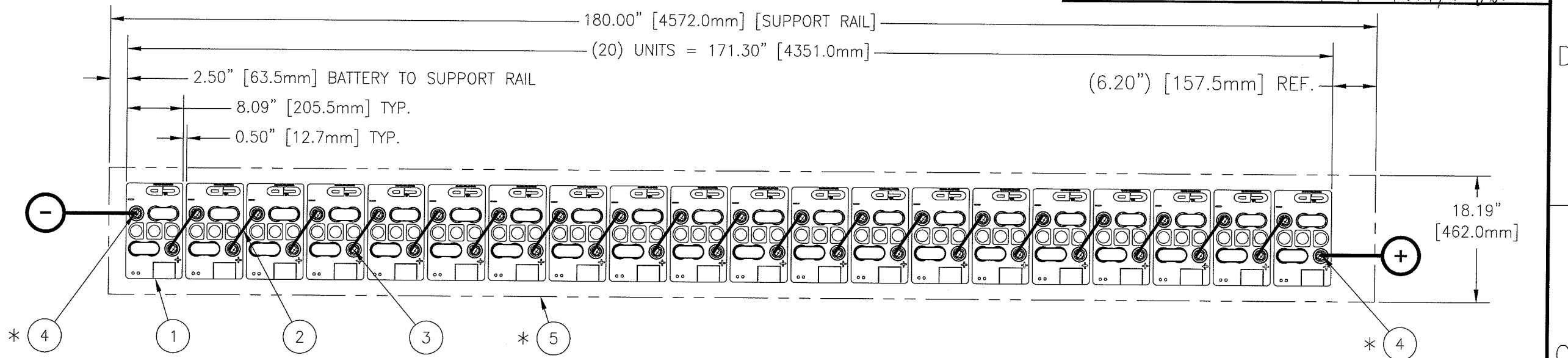


NOTICE:
THIS PRINT AND THE INFORMATION SHOWN THEREON IS THE PROPERTY OF C&D TECHNOLOGIES, INC. AND IS BEING FURNISHED AS A CONFIDENTIAL DISCLOSURE. IT MAY NOT BE DELIVERED TO OTHERS NOR REPRODUCED FOR THE GENERAL CIRCULATION WITHOUT THE WRITTEN APPROVAL OF C&D TECHNOLOGIES, INC.

REVISION HISTORY							
ZONE	REV	DESCRIPTION	ECN#	REV'D	CHK'D	DATE	APPROVED
	2	REMOVED DJR.	N/A	CHH	PAR	8/17/04	P.RALSTON
	3	CHANGED BATTERY DIMENSION FROM 8.10 TO 8.09	N/A	RD	CHH	1/14/09	P.Ralston



120/125 VDC BATTERY SYSTEM			
ITEM	QTY.	PART NO.	DESCRIPTION
1A	20	CW17784	3DJ-110 BATTERY UNIT (J29512)
1B	20	CW17785	3DJ-155 BATTERY UNIT (J29512)
1C	20	CW17786	3DJ-200 BATTERY UNIT (J29512)
2	19	PK04123	INTER-UNIT CONNECTOR
3	40	PB00341	BOLT ASSEMBLY SS, EACH CONSISTING OF: (1) PB00340 5/16-18 x 1.00" BOLT (2) PH01340 FLAT WASHERS (1) PB00270 HEX NUT
* ADDITIONAL ITEMS			
4	2	PT00833	TERMINAL PLATE ASSEMBLY (K10913)
5A	1	RDB0800-15P	RACK ASSEMBLY, 1-TIER (M11413)
5B	1	RDB0800-15EP1P	RACK ASSEMBLY, 1-TIER EP1 (M11414)
5C	1	RDB0800-15EP2P	RACK ASSEMBLY, 1-TIER EP2 (M11415)
6	1	SP24184L	SPILL CONTAINMENT

- NOTES:
1. ALL DIMENSIONS ARE REFERENCE.
 2. ITEMS 2 AND 3 ARE SUPPLIED IN ACCESSORY KIT RE04270.
 3. TERMINAL PLATES, RACK AND SPILL CONTAINMENT ARE ADDITIONAL. THEY MUST BE ORDERED AS SEPARATE ITEMS.
 4. C&D SEISMIC RACKS REQUIRE BATTERY SPACERS, PART NO. RE02458, QUANTITY 19.
 5. REGARDING SPILL CONTAINMENT, PART NUMBERS REFLECT OUTSIDE DIMENSIONS OF SPILL CONTAINMENT'S BARRIERS, INSIDE DIMENSIONS ARE -2".

UNLESS OTHERWISE SPECIFIED DIMENSIONS ARE IN INCHES. + TOLERANCES ON: DECIMALS ANGLES X XX XXX	DRAWN <i>E.H. RALSTON</i>	DATE 5/5/04	C&D TECHNOLOGIES, INC. 1400 UNION MEETING ROAD, BLUE BELL, PA 19422-0858 www.cdtechno.com TITLE BATTERY ARRANGEMENT - 120/125 VDC 1-TIER RACK, (20) 3DJ
	CHECKED P.RALSTON	5/25/04	
THIRD ANGLE PROJECTION	APPROVED		SIZE C CAGE CODE
MATERIAL			DRAWING NUMBER RE04270-1T
			REVISION 3
	FILE: RE04270-1T	SCALE N.T.S.	SHEET 1 OF 1

* ADDITIONAL ITEMS MUST BE ORDERED SEPARATELY.