



**POWER STORAGE SOLUTIONS**  
 "Power is at the center of everything we do"

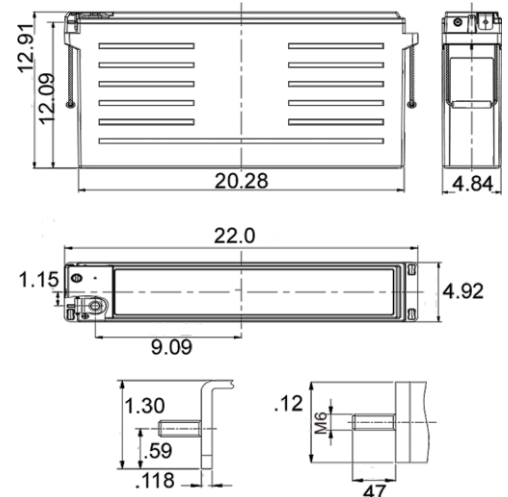
# 12GX190F



Specifications		
Rated Voltage		12V
Nominal Capacity(C <sub>8</sub> , 1.75V/cell)		190 Ah
Dimension	Length	22.01 inches (559mm ± 3mm)
	Length Base	20.27 inches (515.1mm)
	Width	4.92 inches (125mm)
	Container Height	12.9 inches (328mm)
Approx. Weight		127.0 lbs (57.6 Kg)
Terminal		M6
Container Material		PC-ABS flame retardant jar and cover to UL94 V-0
Rated Capacity (25 ° C)	199.6 Ah	(20 hr, 9.98A, 1.80V/cell)
	190.4 Ah	(8 hr, 23.8 A, 1.75V/cell)
	166.8 Ah	(3hr, 55.6 A, 1.75V/cell)
	138.9 Ah	(1 hr, 138.9A, 1.67V/cell)
Max. Discharge Current		2280A
Internal Resistance (25 ° C)		Approx. 3.0mΩ (fully charged)
Operating Temp. Range	Discharge	-40 ~ 65° C (-40 ~ 149° F)
	Charge	0 ~ 40°C (32 ~ 104°F)
	Storage	-20 ~ 40°C (-4 ~ 104°F)
Nominal Operating Temp. Range		77±5° F (25±3° C )
Max. Charging Current (25°C)		57.0 Amps
Charge Voltage (25°C)	Float	13.62 V
	Temp. Coefficient	-3mV/cell/°C
	Equalization	14.1 ~ 14.4V
Effect of temp. on capacity	40° C (104° F)	103%
	25° C ( 77° F)	100%
	0° C ( 32° F)	86%
Self Discharge	GX series batteries can be stored up to 24 months at 25°C(77°F), For higher temperatures the time interval will be shorter. Battery needs to be given a freshening charge when the OCV approaches 2.10V/cell or maximum storage time is reached, whichever comes first	

Premium ABS+PC jar and covers  
 Flame Retardant to UI94 V-0  
 High Rate performance  
 High Energy Density  
 20 Year Design Life (25°C)  
 High Quality AGM separators  
 minimize electrical resistance to  
 allow high current discharging

## LAYOUT



Compliance with IEC 68096 standards, CE & UL Certified, Manufactured in OHSAS 18001, ISO 9001 and ISO 14001 certified production facilities

### Constant Current Discharge (Amperes) at 25 ° C (77° F)

F.V/Time	10 Min	15 Min	20 Min	30 Min	45 Min	1 Hr	2 Hr	3 Hr	4 Hr	5 Hr	8 Hr
1.85V/cell	341.5	292.9	249.5	195.0	149.8	123.1	73.3	52.8	41.2	33.1	22.6
1.80V/cell	377.8	321.9	267.1	210.0	158.3	128.7	76.2	54.6	42.1	34.0	23.4
1.75V/cell	408.5	343.7	282.3	218.8	162.5	133.7	77.8	55.6	43.1	34.6	23.8
1.70V/cell	434.6	359.7	295.2	226.0	167.3	136.8	78.9	56.3	43.5	35.0	23.9
1.67V/cell	456.3	372.5	301.7	231.0	170.3	138.9	79.5	57.1	43.7	35.2	24.0
1.60V/cell	482.0	391.2	311.9	236.2	174.7	140.2	80.2	58.0	44.1	35.4	24.1

Marketed by Power Storage Solutions 10490 Markison Rd. Dallas TX 75238 888-813-5049  
[www.pwrstoragesolutions.com](http://www.pwrstoragesolutions.com) email team@pwrss1.com