

data safe[®]
DXC



**BATTERY
PERFORMANCE
SPECIFICATIONS**

EnerSys[®]

Power/Full Solutions

RESERVE
POWER





The DataSafe® DXC range of flooded lead calcium flat plate batteries has been designed for use in UPS applications, more specifically large data centers, which demand the highest levels of security and reliability. The proven reliability of DataSafe DXC as a leading high rate performance battery is backed by 20+ years of experience in the marketplace.

The DataSafe DXC battery is a high performance cycle resistant multi-cell calcium flat plate battery. Multi-cell construction requires fewer units, resulting in lower installation costs. While optimizing the space available in the battery room, it delivers superior performance making the DataSafe DXC battery a superlative cost-effective battery.

The DataSafe DXC battery features the time tested EnerSys Slide-Lock™ post seal design, wrapped positive plate, bolted tin plated copper connectors, optimal grid design, heavy duty plate lug and strap and dual lug design, which make this battery ideal for high rate applications.

All battery systems are rated at 100% capacity at initial discharge. The DataSafe DXC battery has a 20 year life expectancy in float service at 77°F (25°C) ambient temperature.

Features

- Capacity range: 0.607 - 5.161 kW per cell
- Suitable for UPS & Switchgear applications
- Multi-cell construction
- Cover made from flame retardant PVC
- Container made from styrene acrylonitrile (SAN), also flame retardant polycarbonate (PC) optional
- Long life Slide-Lock™ post seal design
- Cycling - wrapped positive plate for long cycle life

Standards

- Manufactured in EnerSys® production facilities registered to ISO 9001: 2008
- Manufactured in EnerSys production facilities registered to ISO 14001: 2004
- Available testing to IEEE 450 standards as well as customer specific applications

Specifications

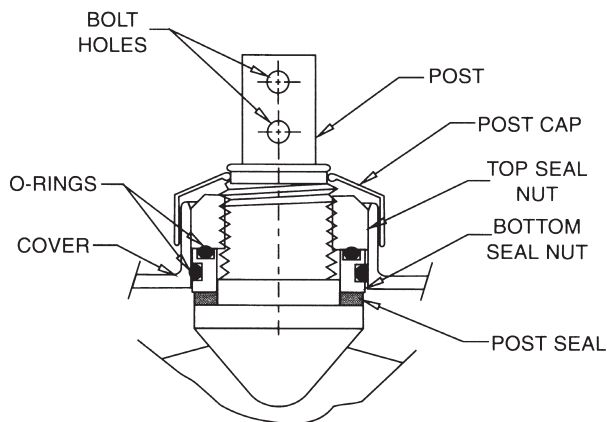
- Plate thickness:
Positive: 0.200 in/5.1 mm
Negative: 0.130 in/3.6 mm
- Plate suspension type:
Positive: Bridge hung
Negative: Bottom supported
- Container: Styrene Acrylonitrile (SAN) Optional flame retardant polycarbonate (PC)
- Cover: Made from flame retardant PVC, UL94-VO/L.O.I. 28%
- Separators: Microporous plastic
- Bolt connectors: Stainless steel, English measure, Hex-Head
- Intercell connectors: Tin plated copper, optional lead plated copper
- Electrolyte over plates: 2.88 in/73.1 mm
- Vent type: Flame Arrestor, Fused Alumina
- Float voltage settings (1.215): Acceptable min/max: 2.17/2.26 Vpc, Recommended: 2.21 Vpc
- Float voltage settings (1.250): Acceptable min/max: 2.21/2.30 Vpc, Recommended: 2.25 Vpc
- Sediment space: 1.04 in/26.4 mm
- Posts:
Lead-plated copper
DXC-5 to DXC-25 - one positive post and one negative post per cell
DXC-27 to DXC-35 - two positive posts and two negative posts per cell
- Post seal type: Slide-Lock™
- Specific gravity: 1.215 standard (1.250 available upon request)

General Specifications

DataSafe® DXC Battery Type*	Number of Cells	Nominal Voltage (V)	Watts/Cell		Nominal Dimensions						Weights - Volumes								
			15 min. rate to 1.67Vpc @77°F (25°C) (1.215 S.G.)	15 min. rate to 1.67Vpc @77°F (25°C) (1.250 S.G.)	Length**		Width		Height		Unpacked		Domestic Packed		Electrolyte Only 1.215 sg				
					mm	in	mm	in	mm	in	kg	lbs	kg	lbs	kg	lbs	kg	lbs	gal
4DXC-5	4	8	607	679	241	9.50	406	16.00	558	22.00	116.4	256.0	119.5	263.0	34.6	76.2	28.4	7.5	
4DXC-7	4	8	909	1001	241	9.50	406	16.00	558	22.00	137.7	303.0	141.8	312.0	30.9	68.1	25.4	6.7	
4DXC-9	4	8	1176	1211	241	9.50	406	16.00	558	22.00	160.5	353.0	152.7	363.0	27.7	61.0	22.7	6.0	
4DXC-11	4	8	1476	1650	424	16.70	406	16.00	576	22.68	230.5	507.0	237.3	522.0	64.5	142.0	53.0	14.0	
4DXC-13	4	8	1756	1940	424	16.70	406	16.00	576	22.68	253.2	557.0	260.4	573.0	59.9	132.0	49.2	13.0	
4DXC-15	4	8	2015	2226	424	16.70	406	16.00	576	22.68	275.5	606.0	283.6	624.0	57.6	127.0	47.3	12.5	
4DXC-17	4	8	2285	2519	424	16.70	406	16.00	576	22.68	298.2	656.0	306.8	675.0	54.4	120.0	44.7	11.8	
4DXC-19	4	8	2564	2855	513	20.20	406	16.00	576	22.68	354.4	781.3	363.0	800.3	62.7	138.0	51.5	13.6	
4DXC-21	4	8	2930	3217	513	20.20	406	16.00	576	22.68	376.6	830.3	385.2	849.3	59.5	131.0	48.8	12.9	
2DXC-23	2	4	3139	3432	308	12.12	406	16.00	576	22.68	215.1	473.0	222.4	489.3	39.6	87.4	32.6	8.6	
2DXC-25	2	4	3395	3755	308	12.12	406	16.00	576	22.68	227.0	499.3	234.2	515.3	37.8	83.4	31.0	8.2	
2DXC-27	2	4	3745	4102	424	16.70	406	16.00	576	22.68	266.8	587.0	274.5	604.0	63.2	139.0	51.9	13.7	
2DXC-29	2	4	4004	4397	424	16.70	406	16.00	576	22.68	278.6	613.0	287.2	632.0	61.3	135.0	50.3	13.3	
2DXC-31	2	4	4251	4642	424	16.70	406	16.00	576	22.68	290.0	638.0	298.6	657.0	59.5	131.0	48.8	12.9	
2DXC-33	2	4	4499	4906	424	16.70	406	16.00	576	22.68	301.4	663.0	310.0	682.0	57.6	127.0	47.3	12.5	
2DXC-35	2	4	4741	5161	424	16.70	406	16.00	576	22.68	309.0	680.0	318.2	700.0	55.8	123.0	45.8	12.1	

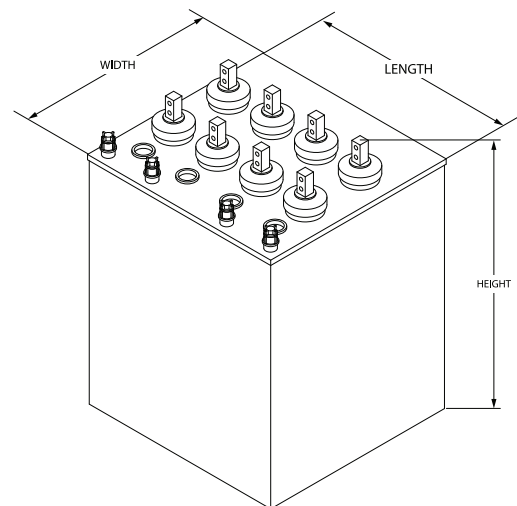
* Prefix indicates number of total cells per jar. Suffix number indicates total plates per cell.

** 0.25 inches must be added between units for spacing purposes when calculating total battery length.



Exclusive Slide-Lock™ Post Seal

4DXC-5, 7, 9 Models have a single hole terminal post.



4DXC-11, 13, 15, 17, 19, 21 models shown

1.250 Specific Gravity

Discharge Rates in kW per Cell* to 1.75Vpc at 25°C (77°F)**

DataSafe® DXC Battery Type	Standby Time (Minutes)																			
	5	10	11	12	13	14	15	16	17	18	19	20	25	30	45	60	90	120	180	240
DXC-05B	0.874	0.711	0.687	0.665	0.645	0.626	0.608	0.592	0.578	0.564	0.550	0.538	0.482	0.439	0.350	0.294	0.228	0.189	0.142	0.117
DXC-07B	1.273	1.048	1.014	0.983	0.953	0.926	0.900	0.876	0.854	0.833	0.813	0.793	0.710	0.645	0.508	0.424	0.324	0.266	0.197	0.160
DXC-09B	1.651	1.374	1.330	1.290	1.252	1.216	1.182	1.151	1.122	1.093	1.066	1.040	0.929	0.840	0.656	0.542	0.408	0.330	0.241	0.194
DXC-11B	1.994	1.691	1.644	1.597	1.556	1.516	1.479	1.445	1.412	1.380	1.350	1.322	1.194	1.095	0.877	0.738	0.568	0.469	0.349	0.284
DXC-13B	2.325	1.983	1.928	1.876	1.828	1.781	1.737	1.696	1.656	1.619	1.584	1.549	1.398	1.278	1.017	0.850	0.648	0.532	0.393	0.317
DXC-15B	2.651	2.269	2.207	2.149	2.095	2.042	1.990	1.942	1.896	1.853	1.812	1.772	1.597	1.457	1.153	0.958	0.725	0.590	0.433	0.348
DXC-17B	3.028	2.591	2.517	2.448	2.386	2.324	2.266	2.211	2.158	2.108	2.061	2.015	1.815	1.651	1.301	1.077	0.810	0.656	0.475	0.378
DXC-19B	3.464	2.957	2.875	2.796	2.723	2.653	2.588	2.527	2.468	2.412	2.358	2.306	2.081	1.897	1.502	1.251	0.948	0.775	0.569	0.457
DXC-21B	3.907	3.322	3.225	3.136	3.051	2.969	2.894	2.822	2.753	2.688	2.626	2.566	2.308	2.100	1.659	1.378	1.040	0.846	0.619	0.494
DXC-23B	4.087	3.499	3.403	3.313	3.230	3.148	3.069	2.995	2.924	2.857	2.794	2.732	2.462	2.246	1.777	1.477	1.117	0.910	0.668	0.536
DXC-25B	4.377	3.787	3.692	3.595	3.509	3.425	3.343	3.266	3.192	3.121	3.054	2.989	2.703	2.470	1.959	1.628	1.227	0.996	0.722	0.576
DXC-27B	4.875	4.148	4.031	3.917	3.819	3.720	3.628	3.542	3.461	3.384	3.309	3.239	2.928	2.677	2.135	1.788	1.370	1.128	0.834	0.678
DXC-29B	5.237	4.458	4.332	4.212	4.103	3.997	3.900	3.806	3.718	3.634	3.553	3.476	3.138	2.866	2.277	1.902	1.451	1.191	0.876	0.710
DXC-31B	5.503	4.695	4.564	4.441	4.324	4.214	4.111	4.013	3.919	3.831	3.746	3.665	3.309	3.019	2.394	1.996	1.517	1.241	0.910	0.734
DXC-33B	5.809	4.962	4.825	4.697	4.572	4.455	4.347	4.243	4.143	4.049	3.958	3.873	3.495	3.185	2.519	2.095	1.585	1.293	0.945	0.758
DXC-35B	6.105	5.221	5.078	4.945	4.812	4.689	4.577	4.466	4.361	4.260	4.165	4.075	3.675	3.346	2.639	2.189	1.649	1.339	0.975	0.779

1.250 Specific Gravity

Discharge Rates in kW per Cell* to 1.70Vpc at 25°C (77°F)**

DataSafe® DXC Battery Type	Standby Time (Minutes)																			
	5	10	11	12	13	14	15	16	17	18	19	20	25	30	45	60	90	120	180	240
DXC-05B	0.976	0.780	0.751	0.725	0.701	0.679	0.657	0.638	0.620	0.602	0.587	0.572	0.509	0.458	0.360	0.300	0.229	0.189	0.142	0.117
DXC-07B	1.417	1.147	1.106	1.068	1.033	1.001	0.970	0.941	0.914	0.888	0.865	0.842	0.747	0.671	0.523	0.432	0.325	0.266	0.197	0.160
DXC-09B	1.832	1.499	1.447	1.399	1.354	1.311	1.272	1.234	1.198	1.164	1.132	1.103	0.975	0.874	0.673	0.550	0.409	0.330	0.241	0.194
DXC-11B	2.222	1.850	1.794	1.740	1.689	1.643	1.598	1.556	1.516	1.479	1.445	1.411	1.266	1.147	0.907	0.756	0.575	0.471	0.349	0.284
DXC-13B	2.592	2.173	2.107	2.044	1.985	1.931	1.878	1.828	1.781	1.736	1.695	1.655	1.481	1.340	1.051	0.871	0.656	0.534	0.393	0.317
DXC-15B	2.956	2.491	2.415	2.342	2.276	2.213	2.152	2.095	2.040	1.989	1.941	1.895	1.691	1.527	1.190	0.981	0.734	0.594	0.433	0.348
DXC-17B	3.356	2.824	2.738	2.657	2.580	2.508	2.440	2.375	2.313	2.254	2.198	2.146	1.914	1.726	1.341	1.101	0.816	0.656	0.475	0.378
DXC-19B	3.835	3.214	3.114	3.022	2.934	2.853	2.776	2.703	2.633	2.567	2.504	2.446	2.188	1.974	1.539	1.272	0.955	0.776	0.569	0.457
DXC-21B	4.333	3.620	3.507	3.400	3.299	3.204	3.114	3.029	2.950	2.873	2.802	2.735	2.439	2.200	1.714	1.412	1.054	0.851	0.619	0.494
DXC-23B	4.558	3.840	3.723	3.611	3.509	3.412	3.318	3.230	3.146	3.067	2.993	2.921	2.608	2.354	1.835	1.513	1.131	0.916	0.668	0.536
DXC-25B	4.861	4.155	4.036	3.924	3.819	3.718	3.620	3.529	3.444	3.363	3.283	3.207	2.874	2.602	2.030	1.671	1.239	0.997	0.722	0.576
DXC-27B	5.460	4.573	4.431	4.298	4.175	4.057	3.950	3.845	3.746	3.654	3.568	3.485	3.117	2.821	2.214	1.835	1.382	1.129	0.834	0.678
DXC-29B	5.851	4.905	4.753	4.611	4.479	4.353	4.238	4.124	4.017	3.918	3.824	3.735	3.337	3.017	2.360	1.951	1.464	1.191	0.876	0.710
DXC-31B	6.152	5.169	5.011	4.864	4.726	4.595	4.472	4.354	4.242	4.136	4.037	3.942	3.523	3.184	2.486	2.052	1.534	1.244	0.910	0.734
DXC-33B	6.488	5.460	5.295	5.141	4.995	4.857	4.727	4.603	4.485	4.372	4.266	4.166	3.721	3.361	2.618	2.155	1.606	1.297	0.945	0.758
DXC-35B	6.812	5.741	5.569	5.409	5.256	5.112	4.974	4.844	4.720	4.600	4.488	4.383	3.912	3.531	2.743	2.253	1.673	1.346	0.975	0.779

*kW values listed represent 100% of the initial capacity.
 **At 77°F (25°C) includes intercell connector drop.
 All data subject to change without notice.

1.250 Specific Gravity

Discharge Rates in kW per Cell* to 1.67Vpc at 25°C (77°F)**

DataSafe® DXC Battery Type	Standby Time (Minutes)																			
	5	10	11	12	13	14	15	16	17	18	19	20	25	30	45	60	90	120	180	240
DXC-05B	1.027	0.813	0.781	0.752	0.725	0.701	0.679	0.657	0.637	0.619	0.601	0.585	0.518	0.465	0.363	0.301	0.229	0.189	0.142	0.117
DXC-07B	1.488	1.194	1.149	1.108	1.069	1.033	1.001	0.969	0.940	0.912	0.886	0.861	0.761	0.681	0.526	0.432	0.325	0.266	0.197	0.160
DXC-09B	1.921	1.559	1.502	1.450	1.401	1.355	1.311	1.269	1.231	1.194	1.160	1.127	0.993	0.886	0.676	0.550	0.409	0.330	0.241	0.194
DXC-11B	2.334	1.928	1.866	1.805	1.751	1.699	1.650	1.605	1.562	1.522	1.483	1.447	1.291	1.167	0.915	0.758	0.575	0.471	0.349	0.284
DXC-13B	2.731	2.266	2.193	2.123	2.059	1.998	1.940	1.887	1.836	1.787	1.741	1.698	1.511	1.362	1.061	0.873	0.656	0.534	0.393	0.317
DXC-15B	3.119	2.599	2.516	2.437	2.362	2.293	2.226	2.163	2.104	2.047	1.994	1.943	1.727	1.552	1.201	0.984	0.734	0.594	0.433	0.348
DXC-17B	3.527	2.939	2.844	2.755	2.672	2.593	2.519	2.447	2.380	2.316	2.255	2.198	1.951	1.753	1.350	1.101	0.816	0.656	0.475	0.378
DXC-19B	4.024	3.336	3.227	3.125	3.030	2.941	2.855	2.776	2.702	2.630	2.563	2.497	2.219	1.995	1.546	1.272	0.955	0.776	0.569	0.457
DXC-21B	4.553	3.770	3.644	3.527	3.415	3.313	3.217	3.125	3.037	2.954	2.876	2.802	2.488	2.237	1.730	1.416	1.054	0.851	0.619	0.494
DXC-23B	4.809	4.008	3.879	3.757	3.641	3.535	3.432	3.336	3.244	3.157	3.075	2.996	2.663	2.394	1.852	1.517	1.131	0.916	0.668	0.536
DXC-25B	5.123	4.338	4.210	4.087	3.969	3.858	3.755	3.656	3.560	3.470	3.385	3.302	2.943	2.651	2.051	1.672	1.239	0.997	0.722	0.576
DXC-27B	5.768	4.784	4.630	4.487	4.351	4.222	4.102	3.988	3.881	3.779	3.681	3.591	3.197	2.878	2.239	1.840	1.382	1.129	0.834	0.678
DXC-29B	6.176	5.126	4.963	4.809	4.663	4.525	4.397	4.274	4.158	4.048	3.943	3.845	3.420	3.076	2.386	1.956	1.464	1.191	0.876	0.710
DXC-31B	6.496	5.407	5.236	5.075	4.922	4.778	4.642	4.513	4.392	4.277	4.167	4.063	3.614	3.248	2.515	2.058	1.534	1.244	0.910	0.734
DXC-33B	6.849	5.710	5.531	5.362	5.201	5.049	4.906	4.770	4.642	4.520	4.404	4.294	3.817	3.429	2.649	2.163	1.606	1.297	0.945	0.758
DXC-35B	7.189	6.004	5.817	5.640	5.471	5.312	5.161	5.018	4.884	4.757	4.634	4.518	4.013	3.603	2.777	2.263	1.673	1.346	0.975	0.779

1.250 Specific Gravity

Discharge Rates in kW per Cell* to 1.63Vpc at 25°C (77°F)**

DataSafe® DXC Battery Type	Standby Time (Minutes)																			
	5	10	11	12	13	14	15	16	17	18	19	20	25	30	45	60	90	120	180	240
DXC-05B	1.088	0.846	0.812	0.780	0.750	0.723	0.697	0.674	0.653	0.633	0.615	0.597	0.525	0.470	0.363	0.301	0.229	0.189	0.142	0.117
DXC-07B	1.572	1.244	1.194	1.148	1.105	1.066	1.028	0.994	0.963	0.933	0.905	0.879	0.771	0.688	0.526	0.432	0.325	0.266	0.197	0.160
DXC-09B	2.023	1.624	1.561	1.502	1.447	1.396	1.347	1.303	1.261	1.222	1.185	1.150	1.006	0.893	0.676	0.550	0.409	0.330	0.241	0.194
DXC-11B	2.463	2.010	1.939	1.873	1.812	1.755	1.701	1.651	1.604	1.559	1.518	1.478	1.311	1.180	0.917	0.758	0.575	0.471	0.349	0.284
DXC-13B	2.888	2.367	2.284	2.207	2.134	2.066	2.002	1.942	1.886	1.833	1.783	1.735	1.535	1.378	1.062	0.873	0.656	0.534	0.393	0.317
DXC-15B	3.304	2.718	2.624	2.535	2.451	2.371	2.297	2.228	2.163	2.101	2.043	1.988	1.754	1.571	1.202	0.984	0.734	0.594	0.433	0.348
DXC-17B	3.721	3.066	2.960	2.861	2.767	2.678	2.596	2.517	2.444	2.374	2.308	2.245	1.981	1.772	1.350	1.101	0.816	0.656	0.475	0.378
DXC-19B	4.240	3.463	3.341	3.227	3.122	3.023	2.928	2.841	2.758	2.680	2.605	2.535	2.237	2.006	1.546	1.272	0.955	0.776	0.569	0.457
DXC-21B	4.804	3.930	3.791	3.661	3.538	3.423	3.315	3.214	3.120	3.029	2.945	2.865	2.528	2.264	1.732	1.416	1.054	0.851	0.619	0.494
DXC-23B	5.094	4.191	4.046	3.908	3.779	3.656	3.543	3.436	3.336	3.240	3.150	3.066	2.705	2.422	1.854	1.517	1.131	0.916	0.668	0.536
DXC-25B	5.435	4.546	4.401	4.264	4.134	4.012	3.896	3.784	3.678	3.578	3.482	3.392	3.002	2.690	2.052	1.672	1.239	0.997	0.722	0.576
DXC-27B	6.124	5.022	4.850	4.691	4.538	4.397	4.261	4.134	4.015	3.903	3.797	3.693	3.267	2.927	2.245	1.840	1.382	1.129	0.834	0.678
DXC-29B	6.551	5.379	5.194	5.023	4.859	4.708	4.563	4.426	4.299	4.178	4.064	3.953	3.492	3.127	2.391	1.956	1.464	1.191	0.876	0.710
DXC-31B	6.897	5.675	5.482	5.303	5.132	4.973	4.821	4.678	4.544	4.416	4.297	4.180	3.692	3.304	2.523	2.058	1.534	1.244	0.910	0.734
DXC-33B	7.271	5.994	5.791	5.602	5.422	5.254	5.095	4.944	4.802	4.667	4.541	4.417	3.899	3.488	2.658	2.163	1.606	1.297	0.945	0.758
DXC-35B	7.631	6.302	6.090	5.892	5.703	5.527	5.360	5.202	5.052	4.911	4.778	4.647	4.100	3.666	2.787	2.263	1.673	1.346	0.975	0.779

*kW values listed represent 100% of the initial capacity.

**At 77°F (25°C) includes intercell connector drop.

All data subject to change without notice.

1.250 Specific Gravity

Discharge Rates in kW per Cell* to 1.60Vpc at 25°C (77°F)**

DataSafe® DXC Battery Type	Standby Time (Minutes)																			
	5	10	11	12	13	14	15	16	17	18	19	20	25	30	45	60	90	120	180	240
DXC-05B	1.127	0.865	0.829	0.794	0.763	0.734	0.707	0.683	0.660	0.640	0.620	0.602	0.527	0.470	0.363	0.301	0.229	0.189	0.142	0.117
DXC-07B	1.626	1.272	1.219	1.170	1.125	1.082	1.043	1.007	0.974	0.943	0.914	0.887	0.774	0.688	0.526	0.432	0.325	0.266	0.197	0.160
DXC-09B	2.092	1.663	1.595	1.531	1.473	1.418	1.367	1.319	1.276	1.235	1.196	1.160	1.009	0.893	0.676	0.550	0.409	0.330	0.241	0.194
DXC-11B	2.547	2.056	1.981	1.911	1.845	1.783	1.725	1.672	1.623	1.576	1.532	1.491	1.318	1.182	0.917	0.758	0.575	0.471	0.349	0.284
DXC-13B	2.992	2.426	2.336	2.252	2.174	2.102	2.032	1.969	1.909	1.854	1.801	1.751	1.544	1.380	1.062	0.873	0.656	0.534	0.393	0.317
DXC-15B	3.429	2.789	2.686	2.590	2.500	2.414	2.334	2.261	2.192	2.127	2.065	2.007	1.764	1.573	1.202	0.984	0.734	0.594	0.433	0.348
DXC-17B	3.849	3.140	3.026	2.919	2.819	2.724	2.634	2.552	2.474	2.401	2.332	2.266	1.989	1.772	1.350	1.101	0.816	0.656	0.475	0.378
DXC-19B	4.381	3.532	3.401	3.280	3.168	3.060	2.960	2.865	2.777	2.696	2.618	2.546	2.241	2.006	1.546	1.272	0.955	0.776	0.569	0.457
DXC-21B	4.972	4.025	3.876	3.734	3.603	3.480	3.365	3.259	3.158	3.065	2.976	2.893	2.543	2.267	1.732	1.416	1.054	0.851	0.619	0.494
DXC-23B	5.286	4.301	4.142	3.993	3.854	3.723	3.599	3.486	3.379	3.280	3.185	3.095	2.720	2.425	1.854	1.517	1.131	0.916	0.668	0.536
DXC-25B	5.628	4.677	4.519	4.371	4.231	4.098	3.973	3.853	3.740	3.633	3.533	3.436	3.026	2.698	2.052	1.672	1.239	0.997	0.722	0.576
DXC-27B	6.343	5.172	4.987	4.813	4.649	4.495	4.352	4.218	4.090	3.970	3.856	3.749	3.298	2.944	2.245	1.840	1.382	1.129	0.834	0.678
DXC-29B	6.785	5.536	5.338	5.152	4.976	4.811	4.658	4.514	4.377	4.248	4.125	4.011	3.525	3.143	2.391	1.956	1.464	1.191	0.876	0.710
DXC-31B	7.146	5.844	5.636	5.442	5.258	5.085	4.924	4.773	4.628	4.493	4.363	4.242	3.728	3.324	2.523	2.058	1.534	1.244	0.910	0.734
DXC-33B	7.536	6.172	5.952	5.748	5.555	5.373	5.203	5.044	4.891	4.748	4.610	4.482	3.937	3.509	2.658	2.163	1.606	1.297	0.945	0.758
DXC-35B	7.911	6.490	6.259	6.045	5.843	5.652	5.473	5.306	5.146	4.995	4.851	4.716	4.140	3.688	2.787	2.263	1.673	1.346	0.975	0.779

1.215 Specific Gravity

Discharge Rates in kW per Cell* to 1.75Vpc at 25°C (77°F)**

DataSafe® DXC Battery Type	Standby Time (Minutes)																			
	5	10	11	12	13	14	15	16	17	18	19	20	25	30	45	60	90	120	180	240
DXC-05	0.732	0.626	0.609	0.592	0.577	0.562	0.548	0.534	0.522	0.509	0.498	0.487	0.437	0.398	0.313	0.261	0.202	0.168	0.125	0.103
DXC-07	1.081	0.929	0.903	0.879	0.857	0.834	0.813	0.792	0.772	0.753	0.736	0.719	0.643	0.585	0.463	0.385	0.293	0.240	0.177	0.144
DXC-09	1.403	1.214	1.181	1.151	1.121	1.093	1.066	1.038	1.012	0.986	0.962	0.939	0.839	0.759	0.592	0.489	0.364	0.295	0.216	0.173
DXC-11	1.772	1.518	1.476	1.436	1.399	1.362	1.328	1.295	1.263	1.233	1.204	1.177	1.056	0.959	0.756	0.634	0.494	0.410	0.307	0.252
DXC-13	2.080	1.788	1.740	1.694	1.651	1.609	1.568	1.530	1.494	1.459	1.426	1.394	1.254	1.142	0.904	0.753	0.572	0.470	0.346	0.281
DXC-15	2.419	2.072	2.014	1.959	1.908	1.858	1.812	1.767	1.725	1.685	1.646	1.610	1.447	1.313	1.031	0.856	0.648	0.528	0.387	0.313
DXC-17	2.753	2.353	2.286	2.224	2.164	2.107	2.053	2.002	1.953	1.907	1.862	1.820	1.632	1.479	1.154	0.953	0.716	0.579	0.420	0.336
DXC-19	3.038	2.595	2.523	2.452	2.386	2.322	2.264	2.209	2.156	2.106	2.058	2.012	1.811	1.650	1.307	1.089	0.827	0.676	0.498	0.402
DXC-21	3.410	2.924	2.843	2.764	2.691	2.620	2.553	2.493	2.432	2.374	2.320	2.268	2.042	1.860	1.471	1.221	0.920	0.748	0.546	0.436
DXC-23	3.746	3.175	3.083	2.995	2.913	2.835	2.762	2.693	2.627	2.564	2.504	2.448	2.198	2.001	1.579	1.312	0.994	0.812	0.595	0.478
DXC-25	4.060	3.438	3.337	3.241	3.152	3.066	2.986	2.911	2.839	2.770	2.705	2.644	2.372	2.156	1.698	1.408	1.062	0.865	0.631	0.505
DXC-27	4.452	3.781	3.674	3.572	3.476	3.385	3.299	3.218	3.141	3.067	2.997	2.931	2.637	2.407	1.910	1.595	1.218	1.003	0.742	0.602
DXC-29	4.768	4.046	3.930	3.819	3.716	3.617	3.525	3.438	3.355	3.275	3.200	3.128	2.812	2.564	2.030	1.692	1.288	1.057	0.779	0.630
DXC-31	5.073	4.301	4.176	4.057	3.946	3.840	3.741	3.648	3.559	3.473	3.392	3.315	2.977	2.711	2.140	1.779	1.348	1.102	0.808	0.650
DXC-33	5.379	4.556	4.421	4.294	4.176	4.063	3.957	3.858	3.763	3.672	3.585	3.503	3.142	2.858	2.251	1.867	1.409	1.147	0.837	0.670
DXC-35	5.679	4.807	4.661	4.527	4.401	4.280	4.167	4.062	3.961	3.864	3.773	3.685	3.302	2.999	2.356	1.949	1.465	1.188	0.862	0.686

*kW values listed represent 100% of the initial capacity.
 **At 77°F (25°C) includes intercell connector drop.
 All data subject to change without notice.

1.215 Specific Gravity

Discharge Rates in kW per Cell* to 1.70Vpc at 25°C (77°F)**

DataSafe® DXC Battery Type	Standby Time (Minutes)																			
	5	10	11	12	13	14	15	16	17	18	19	20	25	30	45	60	90	120	180	240
DXC-05	0.815	0.684	0.663	0.643	0.624	0.606	0.589	0.573	0.557	0.543	0.529	0.516	0.460	0.414	0.321	0.265	0.203	0.168	0.125	0.103
DXC-07	1.206	1.018	0.988	0.959	0.931	0.905	0.880	0.856	0.834	0.811	0.790	0.770	0.683	0.613	0.477	0.393	0.295	0.240	0.177	0.144
DXC-09	1.547	1.318	1.279	1.242	1.207	1.173	1.141	1.111	1.081	1.053	1.026	0.999	0.884	0.792	0.609	0.497	0.365	0.295	0.216	0.173
DXC-11	1.975	1.659	1.609	1.560	1.515	1.471	1.431	1.392	1.354	1.318	1.284	1.253	1.113	1.000	0.777	0.643	0.495	0.410	0.307	0.252
DXC-13	2.333	1.964	1.905	1.849	1.796	1.746	1.698	1.654	1.610	1.568	1.529	1.491	1.329	1.198	0.933	0.770	0.577	0.470	0.346	0.281
DXC-15	2.698	2.265	2.197	2.130	2.068	2.009	1.952	1.899	1.848	1.799	1.753	1.711	1.523	1.370	1.061	0.870	0.650	0.528	0.387	0.313
DXC-17	3.071	2.574	2.495	2.419	2.347	2.278	2.213	2.152	2.094	2.037	1.985	1.936	1.720	1.545	1.189	0.971	0.719	0.579	0.420	0.336
DXC-19	3.438	2.877	2.785	2.698	2.618	2.544	2.473	2.404	2.339	2.278	2.222	2.168	1.932	1.742	1.360	1.123	0.843	0.684	0.500	0.402
DXC-21	3.884	3.265	3.161	3.066	2.976	2.892	2.809	2.732	2.661	2.594	2.531	2.471	2.200	1.986	1.542	1.267	0.943	0.758	0.548	0.436
DXC-23	4.247	3.528	3.414	3.306	3.206	3.111	3.022	2.936	2.856	2.781	2.710	2.642	2.350	2.115	1.642	1.352	1.008	0.816	0.595	0.478
DXC-25	4.602	3.820	3.696	3.579	3.469	3.366	3.269	3.175	3.087	3.007	2.929	2.855	2.537	2.281	1.767	1.451	1.078	0.869	0.631	0.505
DXC-27	5.048	4.202	4.067	3.941	3.823	3.711	3.606	3.507	3.413	3.325	3.240	3.160	2.816	2.540	1.984	1.641	1.234	1.006	0.742	0.602
DXC-29	5.405	4.496	4.351	4.215	4.088	3.968	3.855	3.748	3.646	3.551	3.461	3.375	3.005	2.708	2.110	1.741	1.305	1.061	0.779	0.630
DXC-31	5.751	4.779	4.624	4.478	4.342	4.214	4.093	3.978	3.869	3.767	3.670	3.579	3.183	2.866	2.226	1.833	1.367	1.106	0.808	0.650
DXC-33	6.097	5.062	4.897	4.742	4.597	4.460	4.332	4.208	4.092	3.983	3.881	3.784	3.362	3.024	2.342	1.924	1.429	1.153	0.837	0.670
DXC-35	6.437	5.340	5.165	5.000	4.846	4.700	4.566	4.433	4.309	4.194	4.085	3.983	3.535	3.176	2.453	2.011	1.487	1.194	0.862	0.686

1.215 Specific Gravity

Discharge Rates in kW per Cell* to 1.67Vpc at 25°C (77°F)**

DataSafe® DXC Battery Type	Standby Time (Minutes)																			
	5	10	11	12	13	14	15	16	17	18	19	20	25	30	45	60	90	120	180	240
DXC-05	0.859	0.712	0.689	0.667	0.646	0.626	0.607	0.590	0.573	0.557	0.542	0.528	0.468	0.419	0.322	0.265	0.203	0.168	0.125	0.103
DXC-07	1.274	1.063	1.029	0.997	0.966	0.937	0.909	0.883	0.859	0.835	0.813	0.791	0.698	0.624	0.480	0.393	0.295	0.240	0.177	0.144
DXC-09	1.625	1.366	1.325	1.286	1.248	1.211	1.176	1.142	1.110	1.080	1.051	1.023	0.900	0.803	0.611	0.497	0.365	0.295	0.216	0.173
DXC-11	2.085	1.730	1.673	1.619	1.569	1.521	1.476	1.433	1.392	1.354	1.318	1.283	1.134	1.015	0.780	0.643	0.495	0.410	0.307	0.252
DXC-13	2.469	2.053	1.986	1.924	1.864	1.809	1.756	1.706	1.659	1.614	1.571	1.531	1.357	1.218	0.940	0.770	0.577	0.470	0.346	0.281
DXC-15	2.848	2.363	2.285	2.211	2.142	2.077	2.015	1.956	1.901	1.848	1.799	1.752	1.551	1.390	1.065	0.870	0.650	0.528	0.387	0.313
DXC-17	3.239	2.684	2.595	2.511	2.431	2.356	2.285	2.218	2.154	2.094	2.037	1.983	1.752	1.567	1.195	0.971	0.719	0.579	0.420	0.336
DXC-19	3.643	3.012	2.912	2.816	2.725	2.642	2.564	2.488	2.417	2.350	2.287	2.229	1.977	1.777	1.375	1.130	0.843	0.684	0.500	0.402
DXC-21	4.134	3.432	3.320	3.212	3.111	3.017	2.930	2.847	2.768	2.693	2.621	2.554	2.264	2.033	1.565	1.279	0.943	0.758	0.548	0.436
DXC-23	4.513	3.702	3.575	3.456	3.342	3.237	3.139	3.045	2.957	2.874	2.795	2.722	2.408	2.157	1.661	1.355	1.008	0.816	0.595	0.478
DXC-25	4.889	4.008	3.870	3.741	3.617	3.503	3.395	3.294	3.198	3.108	3.022	2.943	2.600	2.327	1.788	1.455	1.078	0.869	0.631	0.505
DXC-27	5.367	4.408	4.258	4.118	3.985	3.861	3.745	3.635	3.531	3.434	3.340	3.254	2.886	2.590	2.005	1.644	1.234	1.006	0.742	0.602
DXC-29	5.746	4.716	4.556	4.405	4.262	4.129	4.004	3.885	3.773	3.669	3.568	3.476	3.079	2.761	2.133	1.745	1.305	1.061	0.779	0.630
DXC-31	6.111	5.013	4.842	4.681	4.527	4.385	4.251	4.125	4.005	3.894	3.786	3.688	3.262	2.923	2.251	1.837	1.367	1.106	0.808	0.650
DXC-33	6.477	5.310	5.128	4.957	4.793	4.642	4.499	4.365	4.238	4.119	4.005	3.900	3.446	3.085	2.370	1.929	1.429	1.153	0.837	0.670
DXC-35	6.836	5.602	5.408	5.227	5.053	4.892	4.741	4.599	4.465	4.339	4.218	4.106	3.624	3.241	2.483	2.016	1.487	1.194	0.862	0.686

*kW values listed represent 100% of the initial capacity.

**At 77°F (25°C) includes intercell connector drop.

All data subject to change without notice.

1.215 Specific Gravity

Discharge Rates in kW per Cell* to 1.63Vpc at 25°C (77°F)**

DataSafe® DXC Battery Type	Standby Time (Minutes)																			
	5	10	11	12	13	14	15	16	17	18	19	20	25	30	45	60	90	120	180	240
DXC-05	0.905	0.744	0.717	0.692	0.668	0.646	0.626	0.606	0.588	0.570	0.554	0.539	0.474	0.422	0.322	0.265	0.203	0.168	0.125	0.103
DXC-07	1.345	1.111	1.072	1.036	1.001	0.969	0.939	0.910	0.883	0.857	0.833	0.809	0.710	0.631	0.480	0.393	0.295	0.240	0.177	0.144
DXC-09	1.713	1.421	1.374	1.329	1.287	1.247	1.210	1.173	1.138	1.105	1.073	1.043	0.913	0.809	0.611	0.497	0.365	0.295	0.216	0.173
DXC-11	2.197	1.807	1.742	1.682	1.624	1.571	1.521	1.474	1.429	1.387	1.347	1.310	1.150	1.024	0.780	0.643	0.495	0.410	0.307	0.252
DXC-13	2.613	2.151	2.074	2.004	1.936	1.873	1.814	1.760	1.707	1.658	1.611	1.566	1.379	1.233	0.940	0.770	0.577	0.470	0.346	0.281
DXC-15	3.003	2.468	2.380	2.298	2.219	2.146	2.077	2.012	1.952	1.894	1.840	1.788	1.572	1.402	1.065	0.870	0.650	0.528	0.387	0.313
DXC-17	3.416	2.804	2.703	2.608	2.519	2.435	2.356	2.282	2.212	2.146	2.084	2.025	1.777	1.581	1.195	0.971	0.719	0.579	0.420	0.336
DXC-19	3.874	3.159	3.044	2.934	2.831	2.736	2.648	2.566	2.488	2.416	2.347	2.282	2.013	1.801	1.381	1.130	0.843	0.684	0.500	0.402
DXC-21	4.411	3.613	3.485	3.366	3.253	3.148	3.050	2.956	2.868	2.785	2.707	2.632	2.318	2.070	1.576	1.279	0.943	0.758	0.548	0.436
DXC-23	4.797	3.888	3.743	3.609	3.482	3.363	3.253	3.150	3.053	2.962	2.876	2.794	2.455	2.189	1.663	1.355	1.008	0.816	0.595	0.478
DXC-25	5.198	4.210	4.052	3.906	3.769	3.639	3.520	3.408	3.302	3.203	3.109	3.020	2.651	2.363	1.790	1.455	1.078	0.869	0.631	0.505
DXC-27	5.701	4.631	4.459	4.301	4.151	4.011	3.882	3.760	3.646	3.538	3.436	3.339	2.940	2.627	2.007	1.644	1.234	1.006	0.742	0.602
DXC-29	6.105	4.955	4.771	4.601	4.439	4.289	4.150	4.020	3.897	3.781	3.671	3.567	3.138	2.802	2.136	1.745	1.305	1.061	0.779	0.630
DXC-31	6.496	5.267	5.070	4.888	4.716	4.556	4.407	4.268	4.136	4.013	3.896	3.785	3.326	2.967	2.254	1.837	1.367	1.106	0.808	0.650
DXC-33	6.888	5.580	5.370	5.176	4.994	4.823	4.664	4.516	4.376	4.245	4.120	4.003	3.514	3.132	2.373	1.929	1.429	1.153	0.837	0.670
DXC-35	7.272	5.886	5.663	5.458	5.266	5.084	4.916	4.758	4.610	4.471	4.339	4.215	3.696	3.291	2.487	2.016	1.487	1.194	0.862	0.686

1.215 Specific Gravity

Discharge Rates in kW per Cell* to 1.60Vpc at 25°C (77°F)**

DataSafe® DXC Battery Type	Standby Time (Minutes)																			
	5	10	11	12	13	14	15	16	17	18	19	20	25	30	45	60	90	120	180	240
DXC-05	0.937	0.763	0.734	0.706	0.681	0.657	0.635	0.614	0.595	0.577	0.560	0.543	0.475	0.422	0.322	0.265	0.203	0.168	0.125	0.103
DXC-07	1.391	1.141	1.099	1.059	1.022	0.987	0.954	0.923	0.895	0.868	0.842	0.818	0.713	0.631	0.480	0.393	0.295	0.240	0.177	0.144
DXC-09	1.773	1.453	1.401	1.354	1.309	1.266	1.226	1.188	1.151	1.117	1.083	1.052	0.915	0.809	0.611	0.497	0.365	0.295	0.216	0.173
DXC-11	2.274	1.854	1.783	1.717	1.656	1.598	1.544	1.493	1.447	1.403	1.361	1.322	1.154	1.024	0.780	0.643	0.495	0.410	0.307	0.252
DXC-13	2.708	2.210	2.127	2.049	1.977	1.909	1.845	1.786	1.731	1.679	1.630	1.583	1.387	1.233	0.940	0.770	0.577	0.470	0.346	0.281
DXC-15	3.108	2.533	2.436	2.347	2.263	2.184	2.109	2.040	1.976	1.916	1.859	1.805	1.578	1.402	1.065	0.870	0.650	0.528	0.387	0.313
DXC-17	3.534	2.877	2.766	2.664	2.568	2.478	2.393	2.314	2.240	2.171	2.106	2.044	1.783	1.581	1.195	0.971	0.719	0.579	0.420	0.336
DXC-19	4.024	3.241	3.114	2.996	2.887	2.785	2.690	2.603	2.522	2.446	2.374	2.307	2.026	1.808	1.381	1.130	0.843	0.684	0.500	0.402
DXC-21	4.592	3.725	3.586	3.456	3.334	3.221	3.114	3.014	2.920	2.832	2.749	2.671	2.342	2.085	1.576	1.279	0.943	0.758	0.548	0.436
DXC-23	4.988	4.001	3.842	3.696	3.560	3.433	3.314	3.203	3.101	3.004	2.914	2.828	2.473	2.194	1.663	1.355	1.008	0.816	0.595	0.478
DXC-25	5.404	4.331	4.160	4.000	3.852	3.715	3.586	3.465	3.354	3.249	3.151	3.058	2.671	2.368	1.790	1.455	1.078	0.869	0.631	0.505
DXC-27	5.930	4.765	4.578	4.405	4.245	4.095	3.953	3.822	3.702	3.588	3.481	3.380	2.962	2.633	2.007	1.644	1.234	1.006	0.742	0.602
DXC-29	6.350	5.098	4.897	4.711	4.539	4.379	4.227	4.086	3.957	3.835	3.720	3.611	3.161	2.808	2.136	1.745	1.305	1.061	0.779	0.630
DXC-31	6.755	5.418	5.204	5.006	4.822	4.650	4.489	4.339	4.201	4.070	3.947	3.832	3.351	2.973	2.254	1.837	1.367	1.106	0.808	0.650
DXC-33	7.161	5.739	5.512	5.301	5.105	4.923	4.752	4.592	4.445	4.306	4.176	4.052	3.541	3.139	2.373	1.929	1.429	1.153	0.837	0.670
DXC-35	7.559	6.053	5.812	5.589	5.382	5.189	5.009	4.839	4.684	4.536	4.398	4.267	3.725	3.299	2.487	2.016	1.487	1.194	0.862	0.686

*kW values listed represent 100% of the initial capacity. **At 77°F (25°C) includes intercell connector drop. All data subject to change without notice.



www.enersys.com

EnerSys
2366 Bernville Road
Reading, PA 19605
USA
Tel: +1-610-208-1991
+1-800-538-3627
Fax: +1-610-372-8613

EnerSys EMEA
Europe - Middle East -Africa
Löwenstrasse 32
8001 Zürich - Switzerland
Tel: +41 44 215 74 10

EnerSys Asia Oceania
152 Beach Road
Gateway East Building #11-03
Singapore 189721
Tel: +65 6508 1780

Represented by:

Printed in U.S.A.
© 2012 EnerSys. All rights reserved.
Trademarks and logos are the property
of EnerSys and its affiliates, except Slide-Lock™
and ISO™, which are not the property of EnerSys.