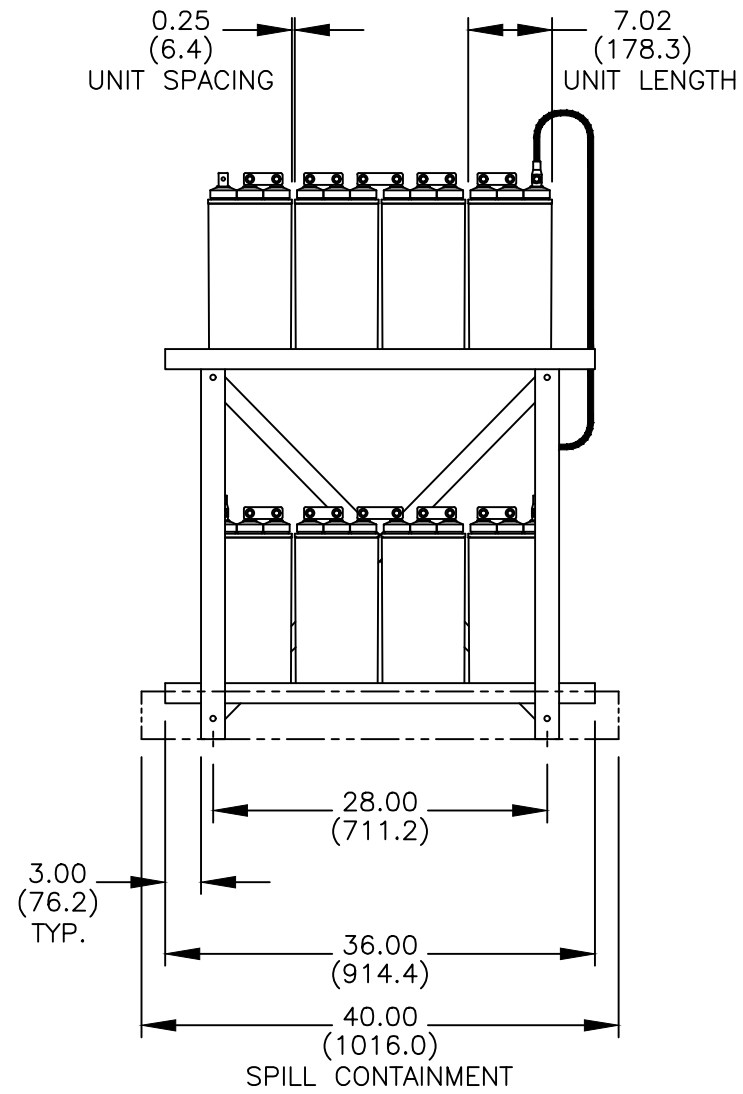


4

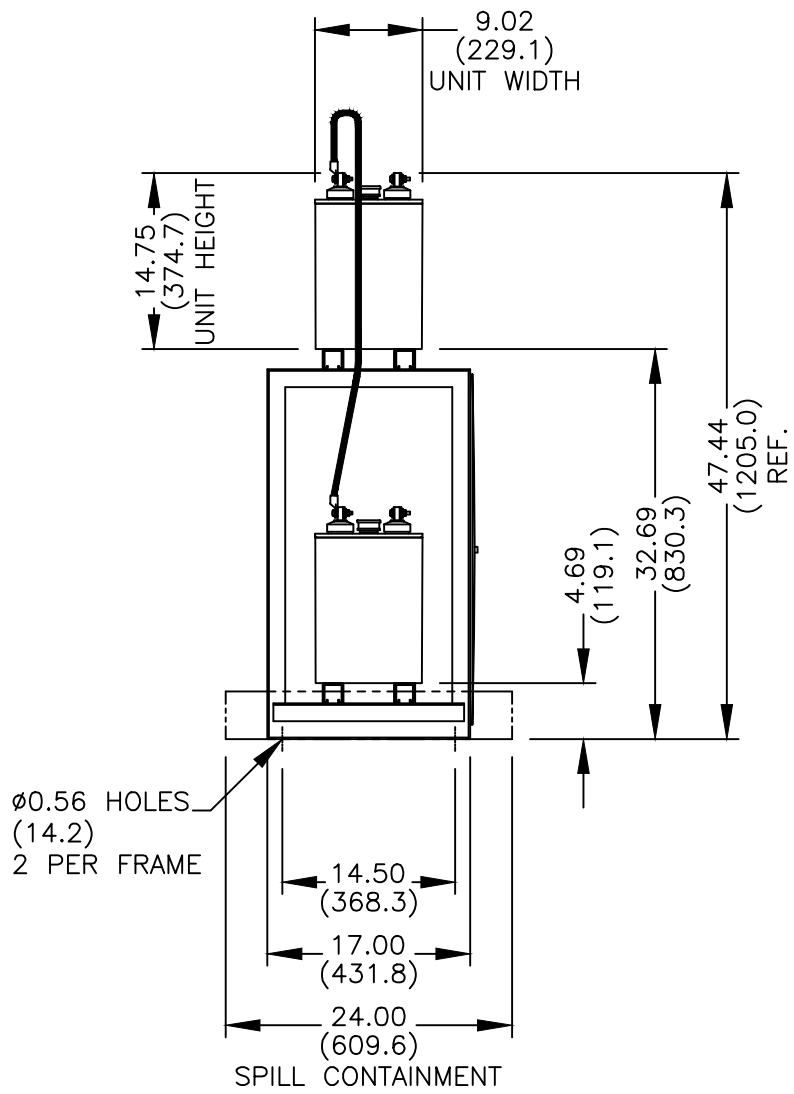
3

2 S02411051020T100-A2RY

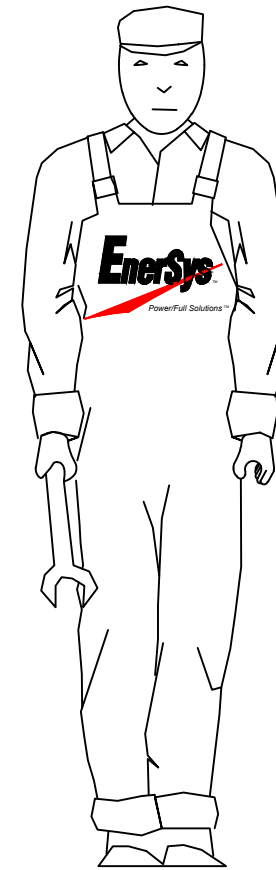
1



SIDE VIEW



END VIEW



NOTE: CABLE SIZE AND QUANTITY DETERMINED PER BATTERY REQUIREMENTS

1	ALL	SALES	10/10/2018	RELEASE FOR REVIEW	RAH	PCR	PCR
REV	ZONE	AUTH.	DATE	DESCRIPTION	BY	CHKD	APPD

TITLE: 24 CELL (8 UNIT) 3CA/3CC-3M/5M BATTERY STRING ON (1) ZONE 0, 2 TIER RACK

INCHES
(MILLIMETERS)

THIS DRAWING AND THE INFORMATION CONTAINED THEREON IS SUBMITTED CONFIDENTIALLY AND IS THE PROPERTY OF EnerSys. USE, REPRODUCTION OR DISCLOSURE OF THE CONTENT OF THIS DRAWING OR ANY PORTION THEREOF FOR ANY PURPOSE MUST BE APPROVED IN WRITING BY EnerSys.

DO NOT SCALE DRAWING

CUSTOMER:

UC002T036A/AP RACK:
68 lbs.
3CA/3CC-3M BATTERY:
57 lbs. EA
3CA/3CC-5M BATTERY:
74 lbs. EA

SCALE: 1/16"=1" B/M N/A

EnerSys
PowerFull Solutions™
RESERVE POWER
READING, PA. 19605

AUTH. SALES	REF. N/A	SUPERSEDES N/A
DRAWN BY RAH	DATE 10/10/2018	APPROVED PCR
SIZE B	DRAWING NUMBER S02411051020T100-A2RY	REV. 1
ISSUE DATE 10/10/2018	SHEET 1 OF 1	

4

3

2

1