

REVISION HISTORY						
ZONE	REV	DESCRIPTION	ECN#	REV'D	CHK'D	DATE

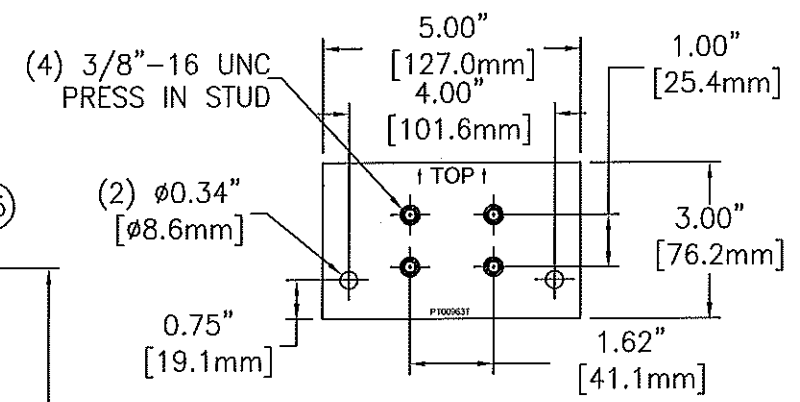
120/125 VOLT SYSTEM (60) AT-23P CELLS

APPROX. SYSTEM WEIGHT: 12,730 LBS [5,774.2 kg]
FLOOR CONTACT AREA: 148.5 SQ. IN. [95,806 mm²]

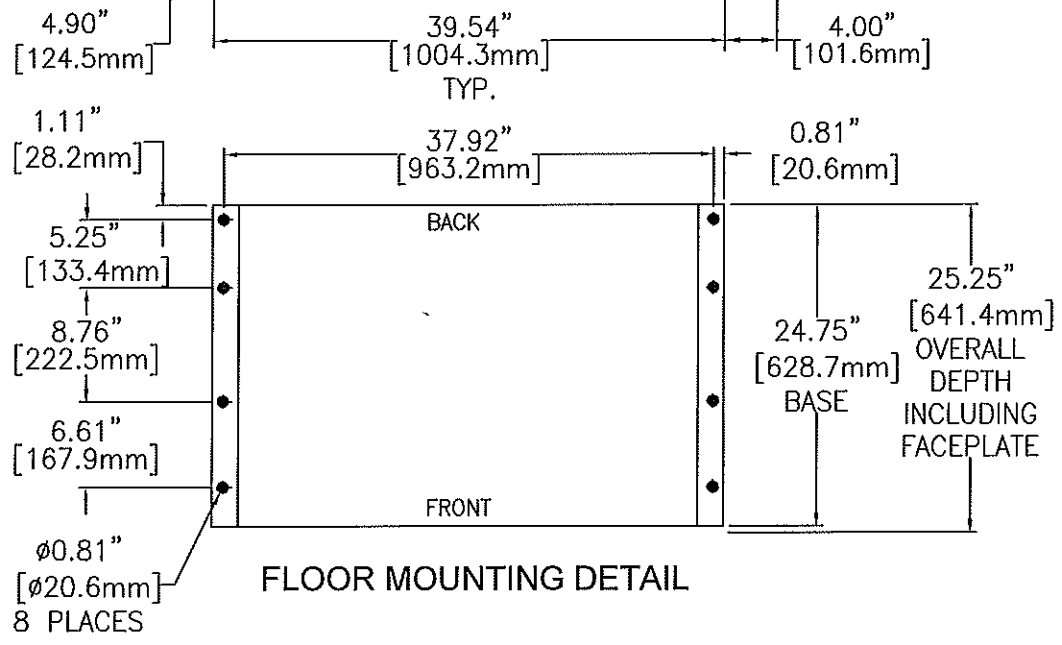
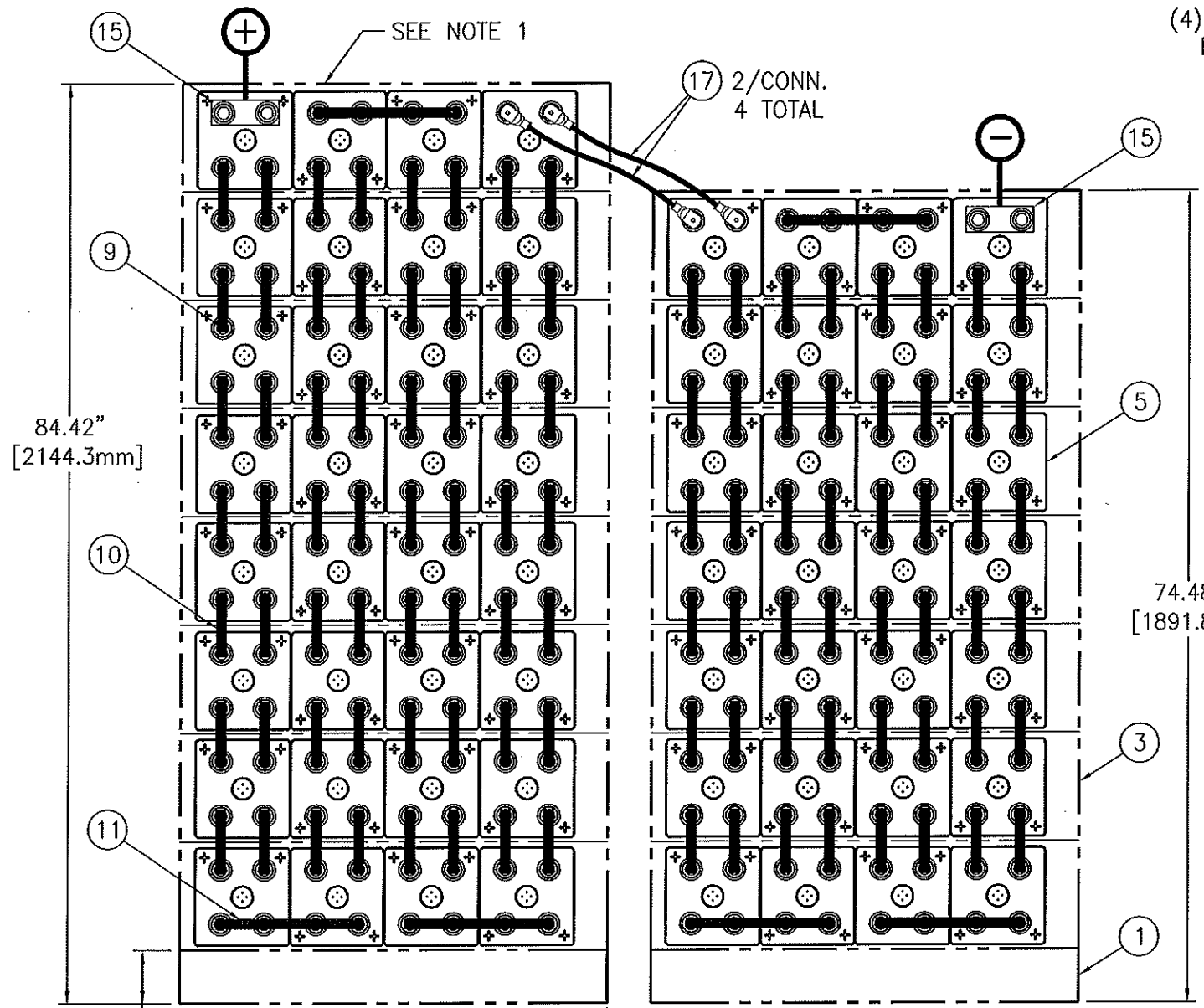


SYSTEM NO. E2348060CE01

20	1	RE04455-60	ACCESSORY KIT (J29537)
19			
18			
17	4	RA02250-30	4/0 CABLE 30" LONG
16			
15	2	PT00963T	TERMINAL PLATE (M15923)
14			
13			
12			
11	6	PK04288T	CONNECTOR 2.00 x 13.92 x 0.25
10	104	PK04097T	CONNECTOR 1.50 x 5.96 x 0.12
9	10	HDWR-R11	HARDWARE KIT, CONNECTOR
9.1	240	PB00327	BOLT, HEX 5/16-18 x 1.25 S.S.
9.2	240	PH01700	WASHER, FLAT S.S.
8	15	PH04006-39	FACEPLATE (K11056)
7	17	HDWR-R13	HARDWARE KIT, FACEPLATE (J29535)
5	60	CW18351	CELL (N03375)
3	15	RD04496-39F	MODULE ASSEMBLY KIT (M14111)
1	2	RD04407-39A	BASE ASSEMBLY KIT (M14028)
ITEM	QTY	PART NO.	DESCRIPTION



TERMINAL PLATE DETAIL
PART NO. PT00963T



FLOOR MOUNTING DETAIL

- NOTES:
1. LOCATE POLARITY OF BATTERIES FOR PROPER ORIENTATION DURING INSTALLATION.
 2. FLOOR MOUNTING (ANCHOR) BOLTS ARE NOT FURNISHED.
 3. INSTALLATION ANCHOR BOLT SIZE AND TYPE ARE TO BE DETERMINED BY USER IN ACCORDANCE WITH BUILDING CODES APPLICABLE TO THE ARRANGEMENT DESCRIBED ON THIS DRAWING.
 4. REFERENCE INSTALLATION MANUAL RS02044 FOR: CONNECTOR TORQUE VALUES, MODULE TO MODULE CONNECTIONS & FACEPLATE MOUNTING DETAILS.
 5. CONNECTORS AND CABLES ARE SIZED TO THE 1 MIN RATE TO 1.75 VPC AT 1456.7 AMPS. CONNECTORS RESULT IN <30mV DROP AND CABLES RESULT IN <100mV DROP.

ALL SHEETS ARE THE SAME REVISION STATUS

ED TECHNOLOGIES, INC.
1400 UNION MEETING, BLUE BELL, PA 19422-0888
www.edtechnologies.com

DATE: 10/20/14
DRAWN BY: M. REESE
CHECKED BY: M. Hedges
APPROVED BY: M. Hedges
DATE: 10/23/14

TITLE: CONNECTION DIAGRAM
120V/125V 4X8 AT-23P

SIZE: D
SCALE: NTS

PROJECT: E2348060CE01

SHEET 1 OF 1