

NOTES: THIS DRAWING AND THE INFORMATION DISCLOSED ON IT ARE CONFIDENTIAL AND PROPRIETARY TO CSD TECHNOLOGIES, INC. AND MAY NOT BE REPRODUCED, COPIED, OR DISCLOSED BY OR TO ANY PERSON OR ENTITY OUTSIDE OF THE COMPANY IN ANY WAY WITHOUT THE WRITTEN PERMISSION OF A DULY AUTHORIZED EMPLOYEE OF THE COMPANY. Copyright © 2004.

ECN#13078

REVISION HISTORY						
ZONE	REV	DESCRIPTION	ED#	REV'D	CHK'D	DATE

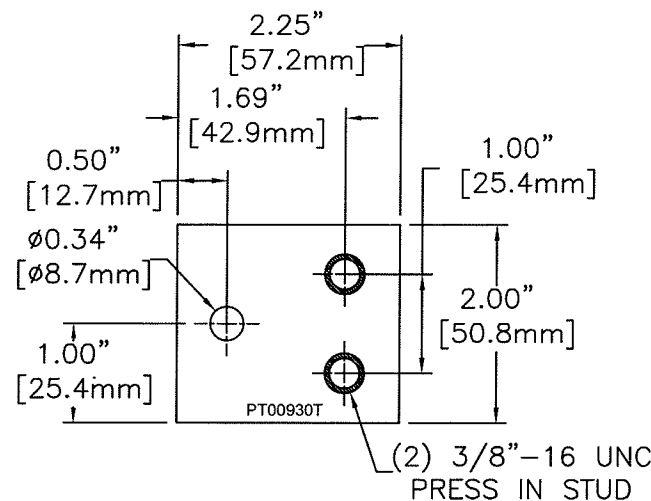
## 48 VOLT SYSTEM (24) AT-07P CELLS

APPROX. SYSTEM WEIGHT: 1,800 LBS [816.5 kg]  
FLOOR CONTACT AREA: 74.25 SQ. IN. [47,903 mm<sup>2</sup>]



SYSTEM NO. E0746024CZ01

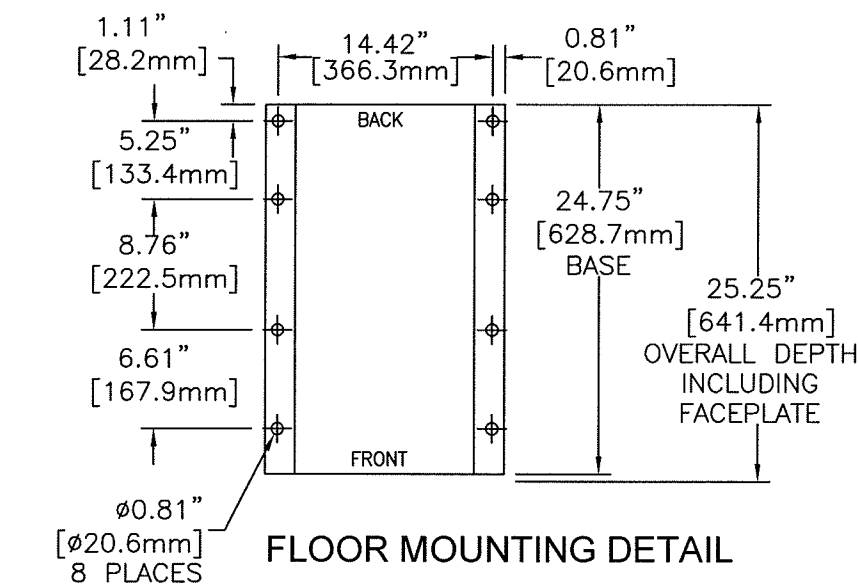
20	1	RE04454	ACCESSORY KIT (J29536)
19			
18			
17			
16			
15	2	PT00930T	TERMINAL PLATE (M15923)
14			
13			
12			
11	3	PK04257T	CONNECTOR 1.00 x 4.11 x 0.12
10	20	PK04225T	CONNECTOR 1.00 x 5.94 x 0.12
9	2	HDWR-R11	HARDWARE KIT, CONNECTOR
9.1	48	PB00327	BOLT, HEX 5/16-18 x 1.25 S.S.
9.2	48	PH01700	WASHER, FLAT S.S.
8	6	PH04006-16	FACEPLATE (K11056)
7	7	HDWR-R13	HARDWARE KIT, FACEPLATE (J29535)
5	24	CW18223	CELL (N03375)
3	6	RD04496-16A	MODULE ASSEMBLY KIT (M14111)
1	1	RD04407-16A	BASE ASSEMBLY KIT (M14028)
ITEM	QTY	PART NO.	DESCRIPTION



TERMINAL PLATE DETAIL  
PART NO. PT00930T

NOTES:

- LOCATE POLARITY OF BATTERIES FOR PROPER ORIENTATION DURING INSTALLATION.
- FLOOR MOUNTING (ANCHOR) BOLTS ARE NOT FURNISHED.
- INSTALLATION ANCHOR BOLT SIZE & TYPE ARE TO BE DETERMINED BY USER IN ACCORDANCE WITH BUILDING CODES APPLICABLE TO THE ARRANGEMENT DESCRIBED ON THIS DRAWING.
- REFERENCE INSTALLATION MANUAL RS02044 FOR: CONNECTOR TORQUE VALUES, MODULE TO MODULE CONNECTIONS & FACEPLATE MOUNTING DETAILS.
- CONNECTORS ARE SIZED TO LESS THAN 30mV DROP AT 122.7 AMPS (2 HR. RATE TO 1.75 VPC).



FLOOR MOUNTING DETAIL

UNLESS OTHERWISE SPECIFIED DIMENSIONS ARE IN INCHES & TOLERANCES ARE:				DRAWN		DATE		ALL SHEETS ARE THE SAME REVISION STATUS	
FINISH	XXX	FINISH	XXX	D. STOCK	10/10/11	CSD TECHNOLOGIES, INC.		1400 UNION MEETING, BLUE BELL, PA 19422-0588	
THIRD ANGLE PROJECTION		APPROVED		10/10/11	10/10/11	CONNECTION DIAGRAM		48V 4X6 AT-07P NON-SEISMIC	
MATERIAL		APPROVED		10/12/11		SIZE	CAGE CODE	DRAWING NUMBER	REVISION
						D		E0746024CZ01	0
						FILE: E0746024CZ01	SCALE NTS	SHEET 1	OF 1