

NOTICE: THIS DRAWING AND THE INFORMATION DISCLOSED ON IT ARE CONFIDENTIAL AND PROPRIETARY TO CAD TECHNOLOGIES, INC. AND MAY NOT BE REPRODUCED, COPIED, REPRODUCED, USED OR DISCLOSED BY OR TO ANY PERSON OR ENTITY OUTSIDE OF THE COMPANY IN ANY MANNER WITHOUT THE WRITTEN PERMISSION OF A DULY AUTHORIZED EMPLOYEE OF THE COMPANY. Copyright © 2004

ECN#12038

REVISION HISTORY						
ZONE	REV	DESCRIPTION	ECN#	REV'D	CHK'D	DATE
	1	UPDATED BOM, ADDED WEIGHTS AND FLOOR CONTACT AREA	12302	YH	RD	11/20/08

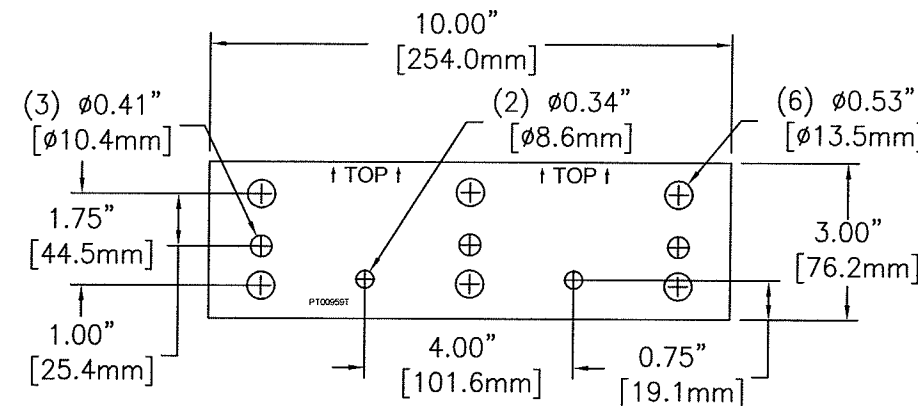
48 VOLT SYSTEM (24) AT-39P CELLS

APPROX. SYSTEM WEIGHT: 8065 LBS. [3658.2 kg]
FLOOR CONTACT AREA: 111.37 SQ. IN. [71,851.5 mm²]

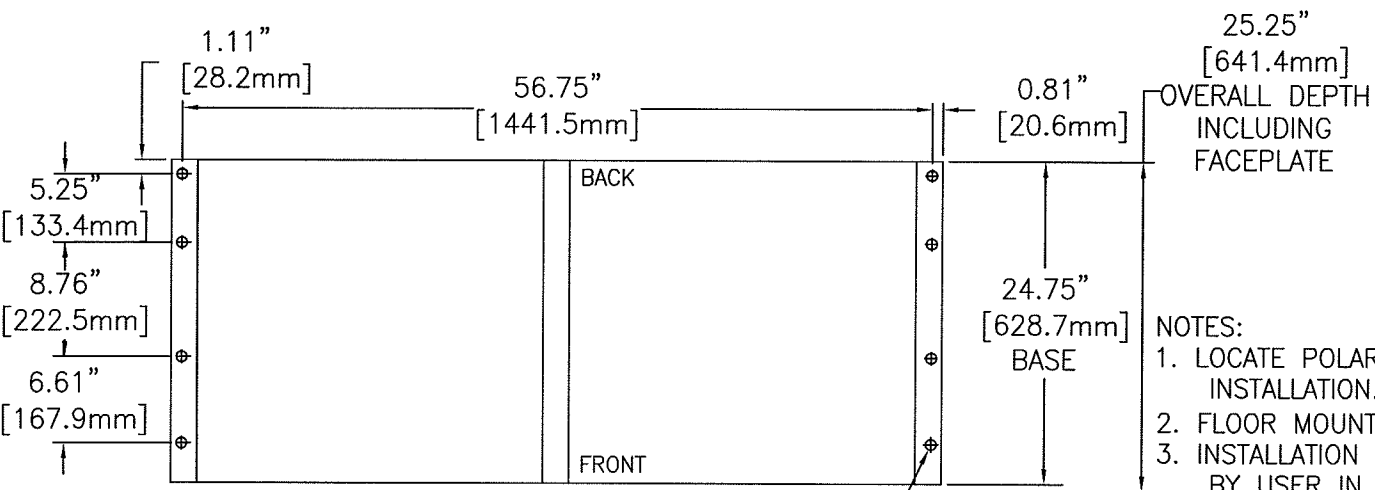
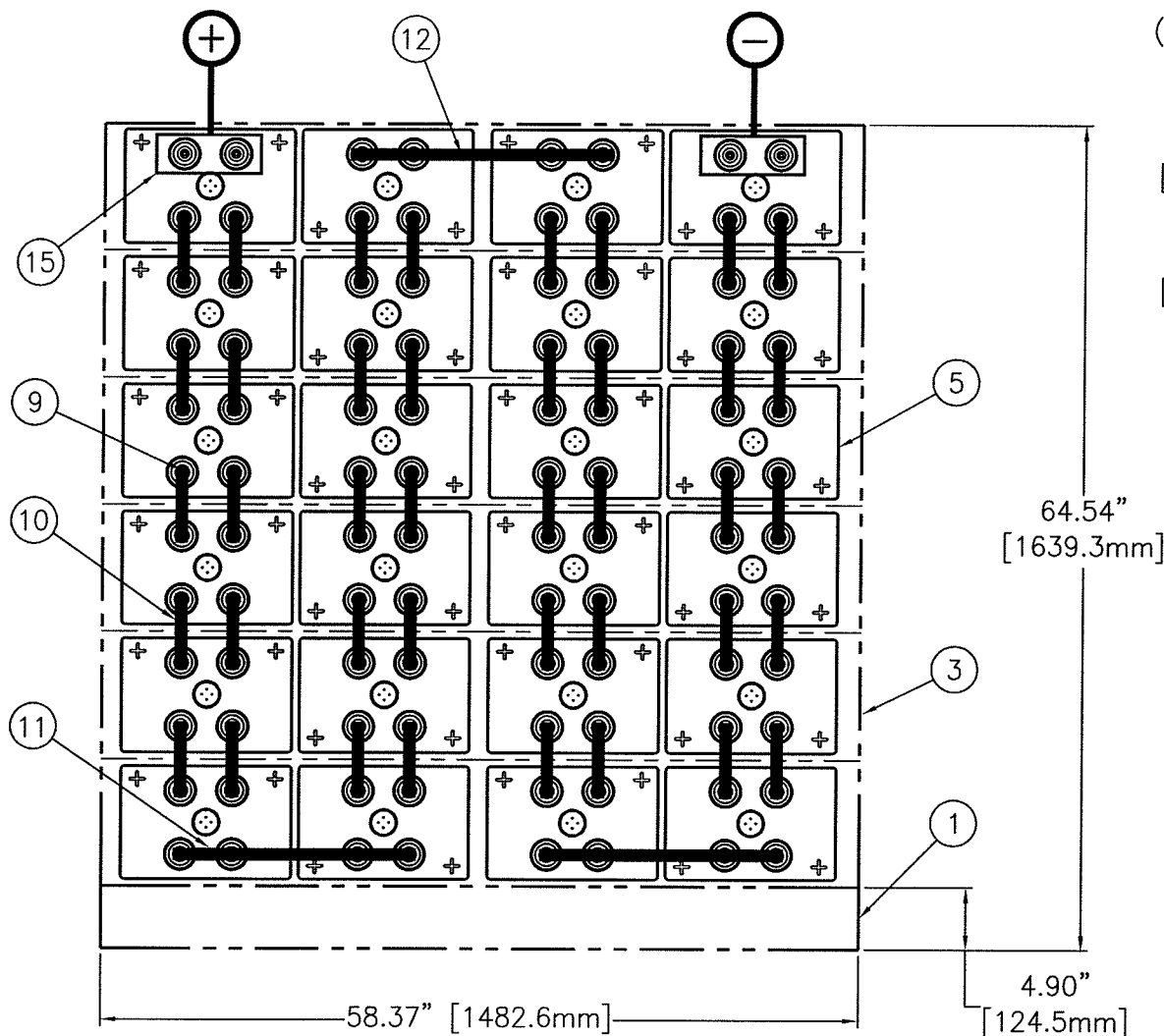
m-s-endur

SYSTEM NO. E3946024CE01

20	1	RE04454	ACCESSORY KIT (J29536)
19			
18			
17			
16			
15	2	PT00959T	TERMINAL PLATE (M15923)
14			
13			
12	1	PK04337T	CONNECTOR 1.00 x 18.65 x 0.38
11	2	PK04336T	CONNECTOR 1.00 x 18.47 x 0.38
10	40	PK04325T	CONNECTOR 1.00 x 5.96 x 0.19
9	4	HDWR-R11	HARDWARE KIT, CONNECTOR
9.1	96	PB00327	BOLT, HEX 5/16-18 x 1.25 S.S.
9.2	96	PH01700	WASHER, FLAT S.S.
8	6	PH04006-58	FACEPLATE (K11056)
7	7	HDWR-R13	HARDWARE KIT, FACEPLATE (J29535)
5	24	CW18153	CELL (N03375)
3	6	RD04496-58H	MODULE ASSEMBLY KIT (M14111)
1	1	RD04407-58A	BASE ASSEMBLY KIT (M14028)
ITEM	QTY	PART NO.	DESCRIPTION



TERMINAL PLATE DETAIL
PART NO. PT00959T



FLOOR MOUNTING DETAIL

Ø0.81" [Ø20.6mm]
8 PLACES

NOTES:

1. LOCATE POLARITY OF BATTERIES FOR PROPER ORIENTATION DURING INSTALLATION.
2. FLOOR MOUNTING (ANCHOR) BOLTS ARE NOT FURNISHED.
3. INSTALLATION ANCHOR BOLT SIZE AND TYPE ARE TO BE DETERMINED BY USER IN ACCORDANCE WITH BUILDING CODES APPLICABLE TO THE ARRANGEMENT DESCRIBED ON THIS DRAWING.
4. REFERENCE INSTALLATION MANUAL RS02044 FOR: CONNECTOR TORQUE VALUES, MODULE TO MODULE CONNECTIONS & FACEPLATE MOUNTING DETAILS.
5. CONNECTORS ARE SIZED TO LESS THAN 30mV DROP AT 777.2 AMPS (2 HOUR RATE TO 1.75 VPC).

UNLESS OTHERWISE SPECIFIED DIMENSIONS ARE IN INCHES & TOLERANCES ARE:	DRAWN	DATE
FRAMES: ±0.005	A. STOLTZFUS	3/13/08
OTHER: ±0.005	CHECKED	
	C.H. HOLLISTON	3/28/08
	APPROVED	
	P. RALSTON	3/26/08
	APPROVED	

ALL SHEETS ARE THE SAME REVISION STATUS			
CAD TECHNOLOGIES, INC.			
1400 UNION MEETING, BLUE BELL, PA 19422-0588			
www.cadtech.com			
TITLE		CONNECTION DIAGRAM	
		48V 4X6 AT-39P	
SIZE	DATE CODE	DRAWING NUMBER	REVISION
D		E3946024CE01	1
PER:	SPEC:	FILE: E3946024CE01	SCALE NTS
			SHEET 1 OF 1