

NOTICE: THIS DRAWING AND THE INFORMATION DISCLOSED ON IT ARE CONFIDENTIAL AND PROPRIETARY TO CAD TECHNOLOGIES, INC. AND MAY NOT BE REPRODUCED, COPIED, OR DISCLOSED IN ANY MANNER TO ANY PERSON OR ENTITY OUTSIDE OF THE COMPANY IN ANY MANNER WITHOUT THE WRITTEN PERMISSION OF A DULY AUTHORIZED EMPLOYEE OF THE COMPANY. Copyright © 2004

ECN#12038

REVISION HISTORY						
ZONE	REV	DESCRIPTION	ECN#	REV'D	CHK'D	DATE
	1	UPDATED BOM, ADDED WEIGHTS AND FLOOR CONTACT AREA	12302	YH	RD	12/4/08
	2	CORRECTED NOTE 4	14016	YH	M&N	9/18/14

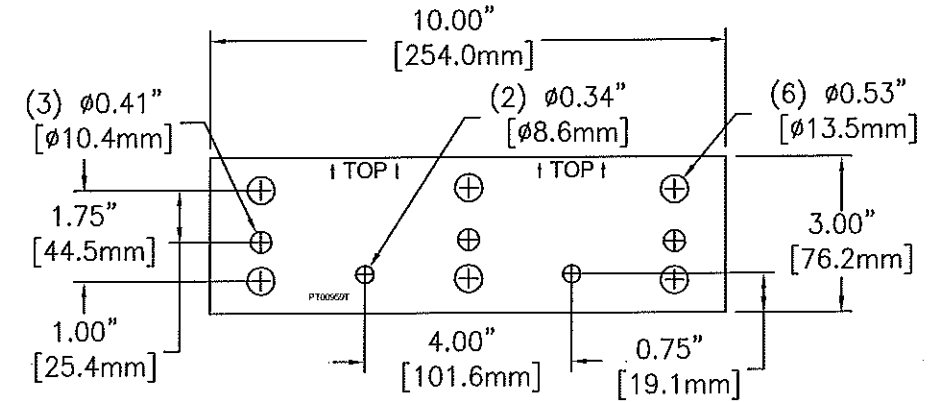
24 VOLT SYSTEM (12) AT-39P CELLS

APPROX. SYSTEM WEIGHT: 4,075 LBS. [1,848.4 kg]
FLOOR CONTACT AREA: 111.37 SQ. IN. [71,851.5 mm²]

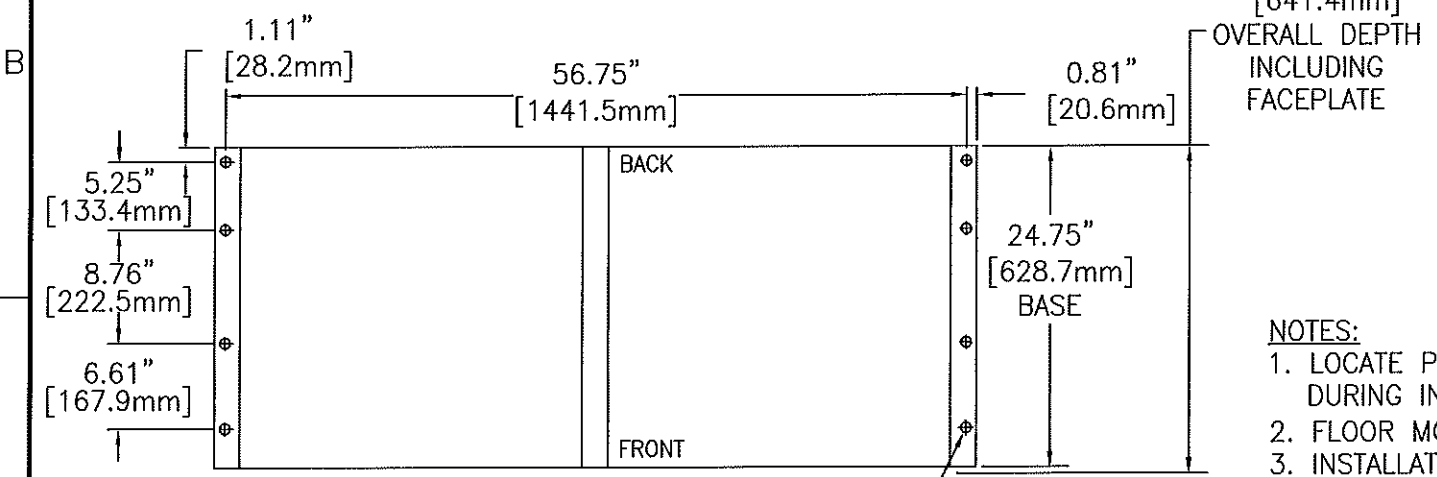
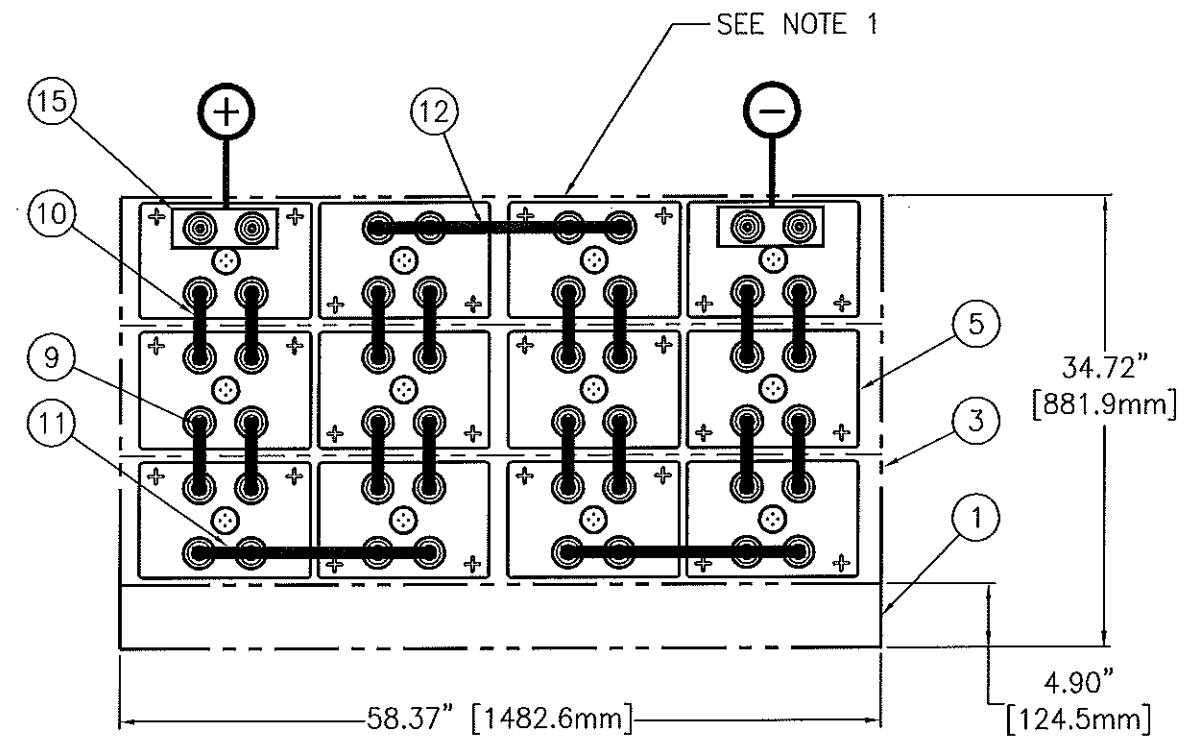


SYSTEM NO. E3943012CE01

20	1	RE04454	ACCESSORY KIT (J29536)
19			
18			
17			
16			
15	2	PT00959T	TERMINAL PLATE (M15923)
14			
13			
12	1	PK04337T	CONNECTOR 1.00 x 18.65 x 0.38
11	2	PK04336T	CONNECTOR 1.00 x 18.47 x 0.38
10	16	PK04325T	CONNECTOR 1.00 x 5.96 x 0.19
9	2	HDWR-R11	HARDWARE KIT, CONNECTOR
9.1	48	PB00327	BOLT, HEX 5/16-18 x 1.25 S.S.
9.2	48	PH01700	WASHER, FLAT S.S.
8	3	PH04006-58	FACEPLATE (K11056)
7	4	HDWR-R13	HARDWARE KIT, FACEPLATE (J29535)
5	12	CW18153	CELL (N03375)
3	3	RD04496-58H	MODULE ASSEMBLY KIT (M14111)
1	1	RD04407-58A	BASE ASSEMBLY KIT (M14028)
ITEM	QTY	PART NO.	DESCRIPTION



TERMINAL PLATE DETAIL
PART NO. PT00959T



FLOOR MOUNTING DETAIL

25.25" [641.4mm]
OVERALL DEPTH INCLUDING FACEPLATE

NOTES:

- LOCATE POLARITY OF BATTERIES FOR PROPER ORIENTATION DURING INSTALLATION.
- FLOOR MOUNTING (ANCHOR) BOLTS ARE NOT FURNISHED.
- INSTALLATION ANCHOR BOLT SIZE & TYPE ARE TO BE DETERMINED BY USER IN ACCORDANCE WITH BUILDING CODES APPLICABLE TO THE ARRANGEMENT DESCRIBED ON THIS DRAWING.
- REFERENCE INSTALLATION MANUAL RS02044 FOR: CONNECTOR TORQUE VALUES, MODULE TO MODULE CONNECTIONS & FACEPLATE MOUNTING DETAILS.
- CONNECTORS ARE SIZED TO LESS THAN 30mV DROP AT 777.2 AMPS (2 HOUR RATE TO 1.75 VPC).

ø0.81" [ø20.6mm]
8 PLACES

UNLESS OTHERWISE SPECIFIED DIMENSIONS ARE IN INCHES & TOLERANCES ARE:	DRAWN A. STOLTZEUS	DATE 3/13/08
DETAILS X .125 Y .125 Z .125	CHECKED C.H. HOUSTON	3/28/08
TWO ANGLE PROJECTION	APPROVED P. RALSTON	3/28/08
SEE BOM ABOVE		
PER: SPEC:	FILE: E3943012CE01	

ALL SHEETS ARE THE SAME REVISION STATUS

CAD TECHNOLOGIES, INC.
1400 UNION MEETING, BLUE BELL, PA 19422-0588
www.cadtech.com

CONNECTION DIAGRAM
24V 4X3 AT-39P

SIZE D	CAGE CODE	DRAWING NUMBER E3943012CE01	REVISION 2
SCALE NTS		SHEET 1 OF 1	

12/2008