

NOTES: THIS DRAWING AND THE INFORMATION CONTAINED ON IT ARE CONFIDENTIAL AND PROPRIETARY TO GTE TECHNOLOGIES, INC. AND ARE TO BE KEPT AS SUCH. ANY REPRODUCTION, DISSEMINATION, OR USE OF THIS DRAWING OR THE INFORMATION CONTAINED THEREON WITHOUT THE WRITTEN PERMISSION OF A GTE AUTHORIZED EMPLOYEE IS PROHIBITED. © 2000

REVISION HISTORY						
ZONE	REV	DESCRIPTION	ENGR	REV'D	CHK'D	APPROVED
1	1	REVISED ITEMS 7, 9, 11, 13, 14, 15, 16, 17, 18, 19, 20, 21, 22, 23, 24, 25, 26, 27, 28, 29, 30, 31, 32, 33, 34, 35, 36, 37, 38, 39, 40, 41, 42, 43, 44, 45, 46, 47, 48, 49, 50, 51, 52, 53, 54, 55, 56, 57, 58, 59, 60, 61, 62, 63, 64, 65, 66, 67, 68, 69, 70, 71, 72, 73, 74, 75, 76, 77, 78, 79, 80, 81, 82, 83, 84, 85, 86, 87, 88, 89, 90, 91, 92, 93, 94, 95, 96, 97, 98, 99, 100	12238	CH	10/1/00	[Signature]

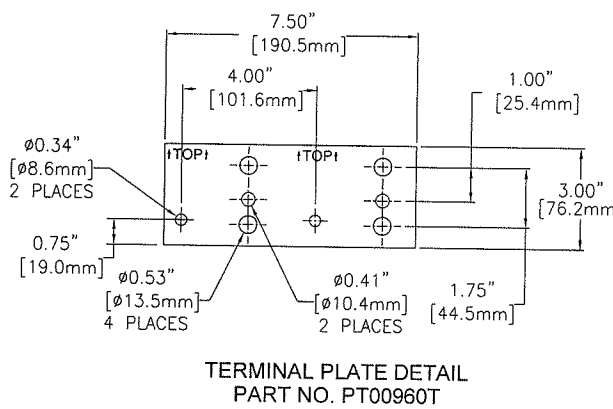
48 VOLT SYSTEM (24) AT-39P CELLS

APPROX SYSTEM WEIGHT: 7,880 LBS. [3574.3 kg]
FLOOR CONTACT AREA: 74.25 SQ. IN [47903 mm²]



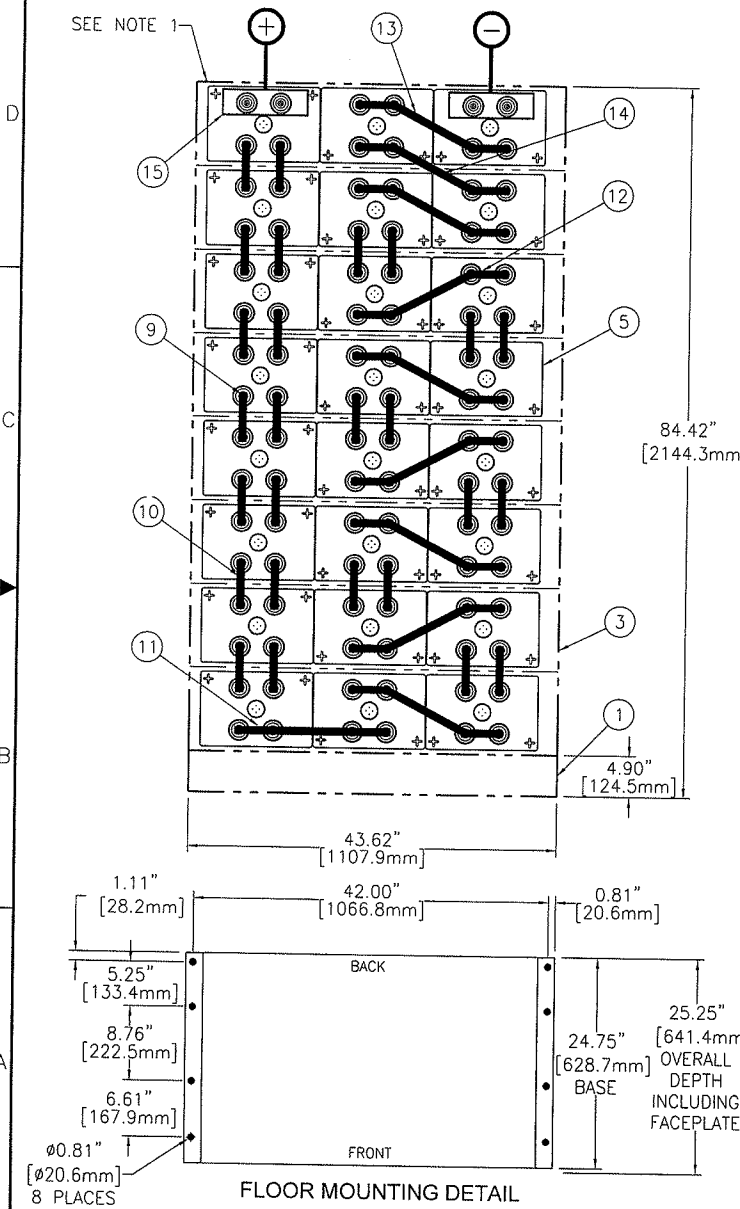
SYSTEM NO. E3938024CE01

ITEM	QTY	PART NO.	DESCRIPTION
20	1	RE04454	ACCESSORY KIT (J29536)
19			
18			
17			
16			
15	2	PT00960T	TERMINAL PLATE (M15923)
14	1	PK04331T	CONNECTOR 1.00 x 11.55 x 0.38
13	8	PK04332T	CONNECTOR 1.00 x 11.60 x 0.38
12	18	PK04330T	CONNECTOR 1.00 x 5.00 x 0.25
11	1	PK04336T	CONNECTOR 1.00 x 18.47 x 0.38
10	26	PK04325T	CONNECTOR 1.00 x 5.96 x 0.19
9	4	HDWR-R11	HARDWARE KIT, CONNECTOR
9.1	96	PB00327	BOLT, HEX 5/16-18 x 1.25 S.S.
9.2	96	PH01700	WASHER, FLAT S.S.
8	8	PH04006-43	FACEPLATE (K11056)
7	9	HDWR-R13	HARDWARE KIT, FACEPLATE (J29535)
5	24	CW18153	CELL (N03375)
3	8	RD04496-43H	MODULE ASSEMBLY KIT (M14111)
1	1	RD04407-43A	BASE ASSEMBLY KIT (M14028)



TERMINAL PLATE DETAIL
PART NO. PT00960T

- NOTES:
1. LOCATE POLARITY OF BATTERIES FOR PROPER ORIENTATION DURING INSTALLATION.
 2. FLOOR MOUNTING (ANCHOR) BOLTS ARE NOT FURNISHED.
 3. INSTALLATION ANCHOR BOLT SIZE & TYPE ARE TO BE DETERMINED BY USER IN ACCORDANCE WITH BUILDING CODES APPLICABLE TO THE ARRANGEMENT DESCRIBED ON THIS DRAWING.
 4. REFERENCE INSTALLATION MANUAL RS01991 FOR: CONNECTOR TORQUE VALUES, MODULE TO MODULE CONNECTIONS & FACEPLATE MOUNTING DETAILS.
 5. CONNECTORS ARE SIZED TO LESS THAN 30mv DROP AT 777.2 AMPS (2 HOUR RATE TO 1.75 VPC).



FLOOR MOUNTING DETAIL

ALL SHEETS ARE THE SAME REVISION STATUS

GTE TECHNOLOGIES, INC.
1400 UNION MEETING, BULLIE BELL, PA 15622-0580
www.gte.com

CONNECTION DIAGRAM
48V 3XB AT-39P

FILE: E3938024CE01
SCALE: NTS
SHEET 1 OF 1