

NOTICE: THIS DRAWING AND THE INFORMATION DISCLOSED ON IT ARE CONFIDENTIAL AND PROPRIETARY TO CAD TECHNOLOGIES, INC. AND MAY NOT BE REPRODUCED, COPIED OR DISCLOSED BY OR TO ANY PERSON OR PARTY OUTSIDE OF THE COMPANY IN ANY WAY WITHOUT THE WRITTEN PERMISSION OF A DULY AUTHORIZED EMPLOYEE OF THE COMPANY. Copyright © 2004.

ECH#12038

REVISION HISTORY						
ZONE	REV	DESCRIPTION	ECH#	REV'D	CHK'D	DATE
	1	UPDATED BOM & ADDED WEIGHTS AND FLOOR CONTACT AREA.	12241	RD	GRK	10/7/08
	2	REVISED TERM PLATE, ITEM 15 PT00960T WAS ITEM 16 PT00959T, UPDATED B.O.M.	13091	DCS	YH	10/31/11

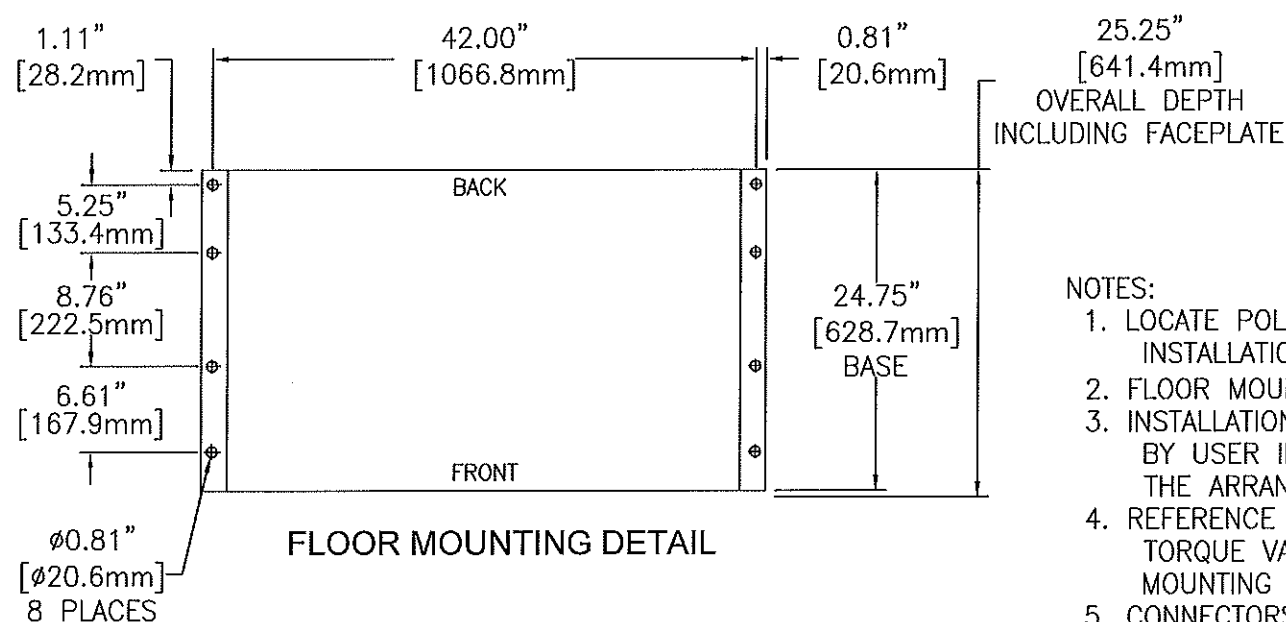
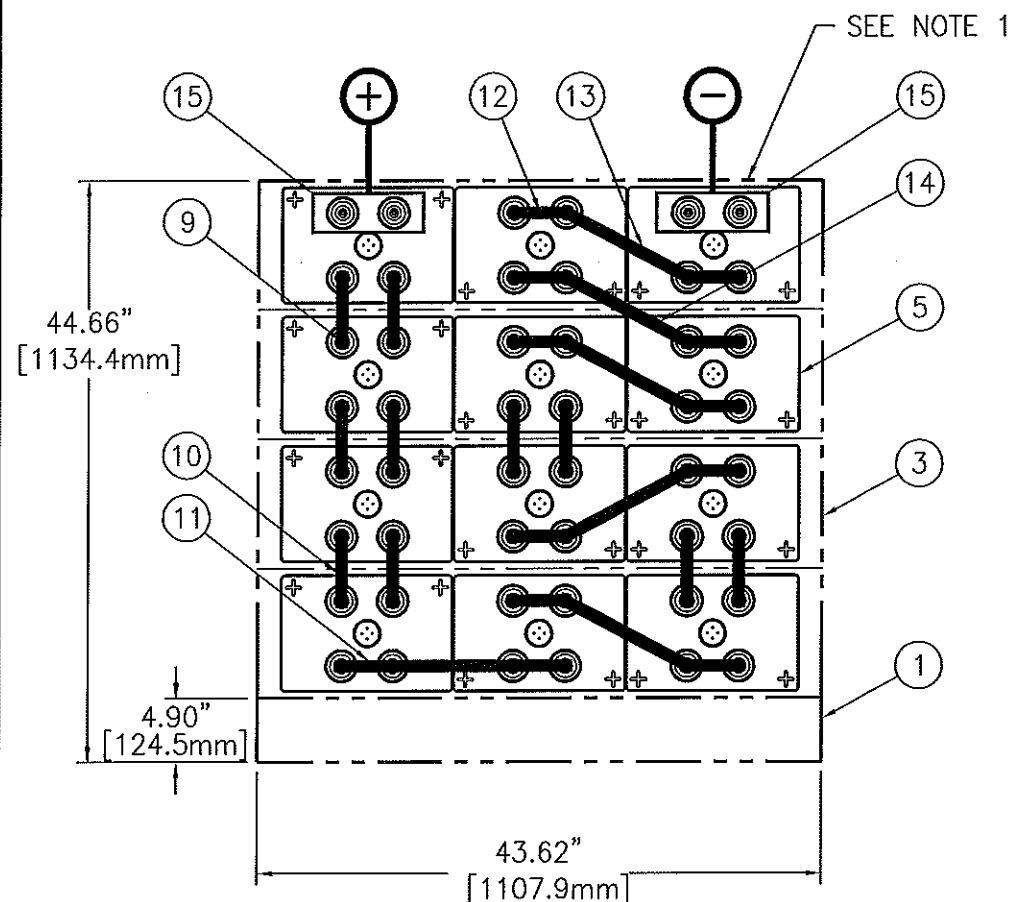
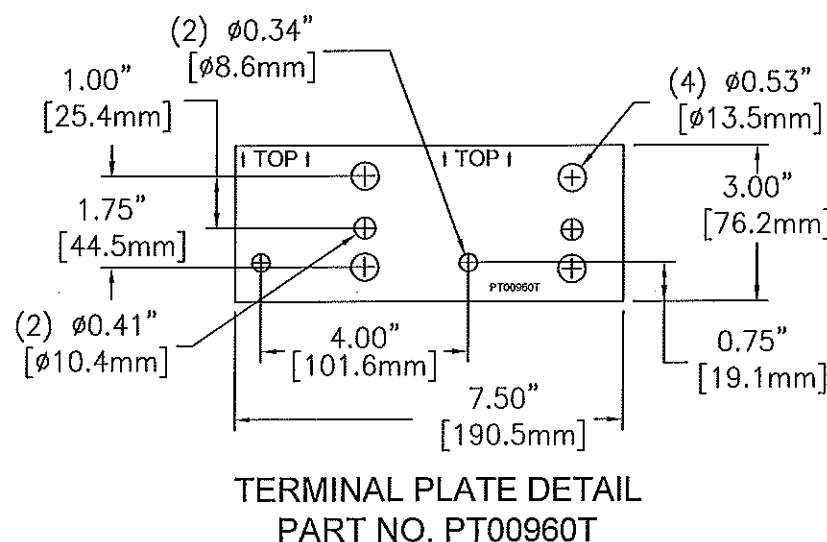
24 VOLT SYSTEM (12) AT-39P CELLS

APPROX. SYSTEM WEIGHT: 3,980 LBS [1,805.2 kg]
FLOOR CONTACT AREA: 74.25 SQ. IN. [47,903 mm²]



SYSTEM NO. E3934012CE01

20	1	RE04454	ACCESSORY KIT (J29536)
19			
18			
15	2	PT00960T	TERMINAL PLATE (M15923)
14	1	PK04331T	CONNECTOR 1.00 x 11.55 x 0.38
13	4	PK04332T	CONNECTOR 1.00 x 11.60 x 0.38
12	10	PK04330T	CONNECTOR 1.00 x 5.00 x 0.25
11	1	PK04336T	CONNECTOR 1.00 x 18.47 x 0.38
10	10	PK04325T	CONNECTOR 1.00 x 5.96 x 0.19
9	2	HDWR-R11	HARDWARE KIT, CONNECTOR
9.1	48	PB00327	BOLT, HEX 5/16-18 x 1.25 S.S.
9.2	48	PH01700	WASHER, FLAT S.S.
8	4	PH04006-43	FACEPLATE (K11056)
7	5	HDWR-R13	HARDWARE KIT, FACEPLATE (J29535)
5	12	CW18153	CELL (N03375)
3	4	RD04496-43H	MODULE ASSEMBLY KIT (M14111)
1	1	RD04407-43A	BASE ASSEMBLY KIT (M14028)
ITEM	QTY	PART NO.	DESCRIPTION



- NOTES:
- LOCATE POLARITY OF BATTERIES FOR PROPER ORIENTATION DURING INSTALLATION.
 - FLOOR MOUNTING (ANCHOR) BOLTS ARE NOT FURNISHED.
 - INSTALLATION ANCHOR BOLT SIZE & TYPE ARE TO BE DETERMINED BY USER IN ACCORDANCE WITH BUILDING CODES APPLICABLE TO THE ARRANGEMENT DESCRIBED ON THIS DRAWING.
 - REFERENCE INSTALLATION MANUAL RS02044 FOR: CONNECTOR TORQUE VALUES, MODULE TO MODULE CONNECTIONS & FACEPLATE MOUNTING DETAILS.
 - CONNECTORS ARE SIZED TO LESS THAN 30mV DROP AT 777.2 AMPS (2 HOUR RATE TO 1.75 VPC).

ALL SHEETS ARE THE SAME REVISION STATUS

CAD TECHNOLOGIES, INC.
1400 UNION MEETING, BLUE BELL, PA 19422-0588
www.cadtechno.com

CONNECTION DIAGRAM
24V 3X4 AT-39P

DATE: 3/13/08
DRAWN: A. STOLTZEUS
CHECKED: C.H. HOUSTON
APPROVED: P. RALSTON

DATE: 3/26/08
DATE: 3/28/08

SCALE: NTS
SHEET 1 OF 1

FILE: E3934012CE01