

NOTICE: THIS DRAWING AND THE INFORMATION DISCLOSED ON IT ARE CONFIDENTIAL AND PROPRIETARY TO CAD TECHNOLOGIES, INC. AND MAY NOT BE REPRODUCED, REPRODUCED, USED OR DISCLOSED BY OR TO ANY PERSON OR PARTY OUTSIDE OF THE COMPANY IN ANY WAY WITHOUT THE WRITTEN PERMISSION OF A DULY AUTHORIZED EMPLOYEE OF THE COMPANY. Copyright © 2014

ECH13995

REVISION HISTORY						
ZONE	REV	DESCRIPTION	ECN#	REV'D	CHK'D	DATE

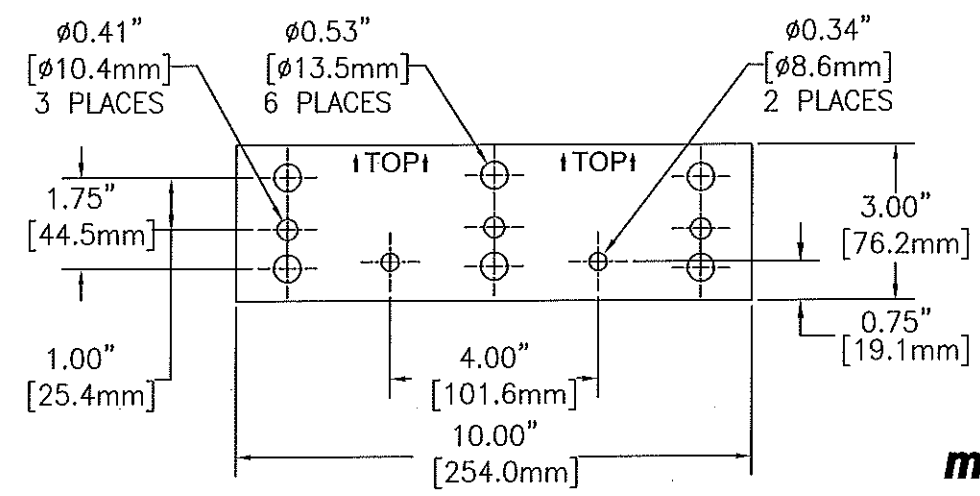
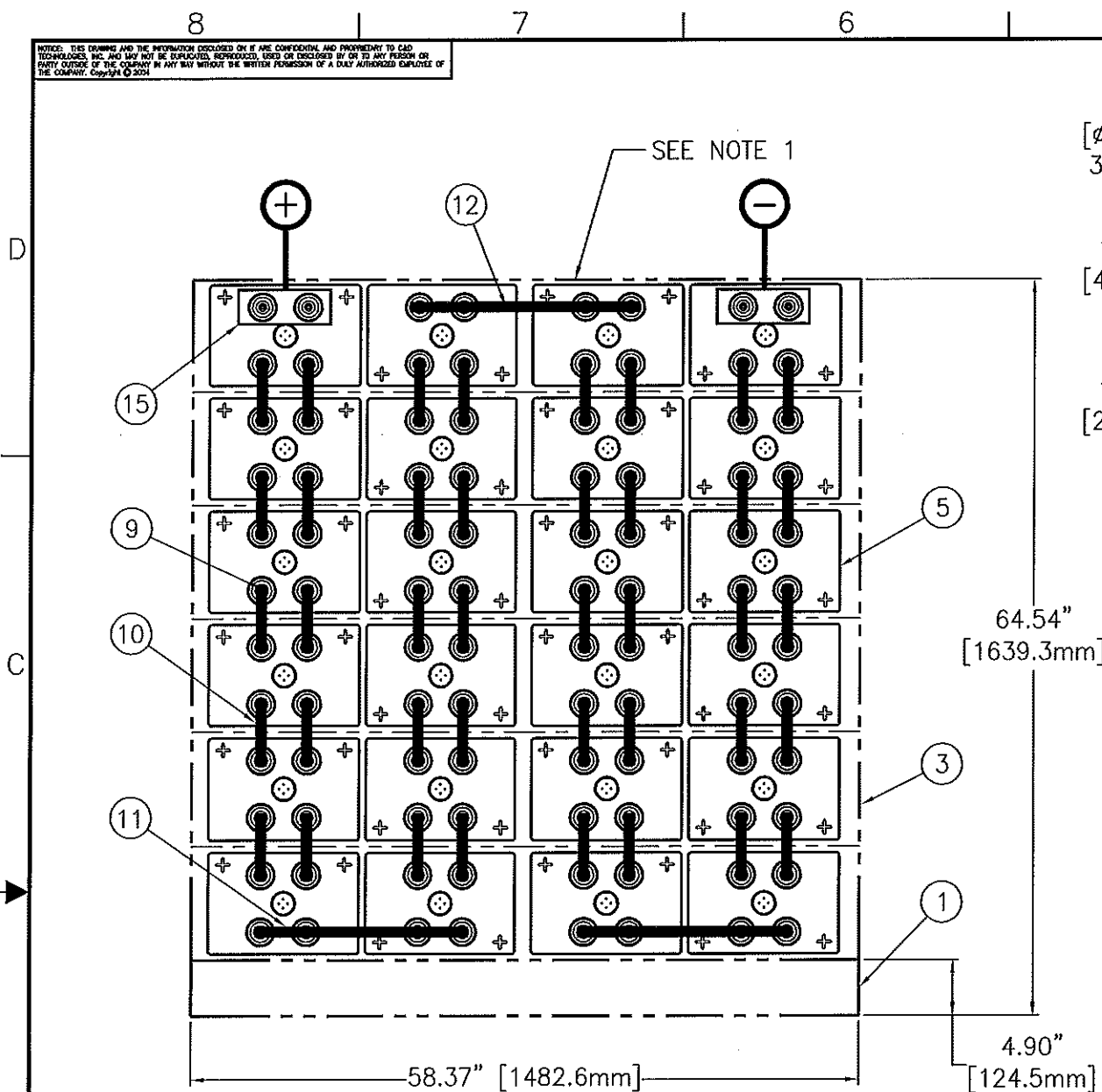
### 48 VOLT SYSTEM (24) AT-35P CELLS

APPROX. SYSTEM WEIGHT: 7,705 LBS [3,494.9 kg]  
FLOOR CONTACT AREA: 111.37 SQ. IN. [71,851 mm<sup>2</sup>]

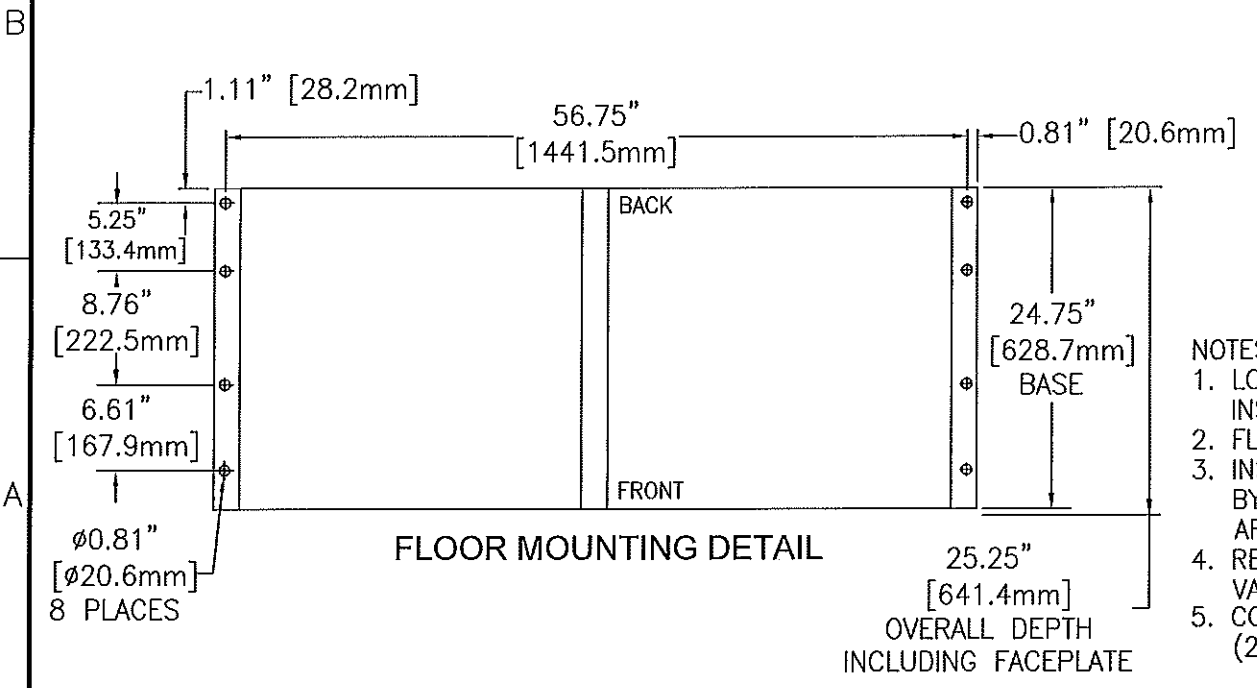


SYSTEM NO. E3546024CE01

ITEM	QTY	PART NO.	DESCRIPTION
20	1	RE04454	ACCESSORY KIT (J29536)
19			
18			
17			
16			
15	2	PT00959T	TERMINAL PLATE (M15923)
14			
13			
12	1	PK04337T	CONNECTOR 1.00 x 18.65 x 0.38
11	2	PK04336T	CONNECTOR 1.00 x 18.47 x 0.38
10	40	PK04325T	CONNECTOR 1.00 x 5.96 x 0.19
9	4	HDWR-R11	HARDWARE KIT, CONNECTOR
9.1	96	PB00327	BOLT, HEX 5/16-18 x 1.25 S.S.
9.2	96	PH01700	WASHER, FLAT S.S.
8	6	PH04006-58	FACEPLATE (K11056)
7	7	HDWR-R13	HARDWARE KIT, FACEPLATE (J29535)
5	24	CW18352	CELL (N03375)
3	6	RD04496-58H	MODULE ASSEMBLY KIT (M14111)
1	1	RD04407-58A	BASE ASSEMBLY KIT (M14028)



TERMINAL PLATE DETAIL  
PART NO. PT00959T



FLOOR MOUNTING DETAIL

NOTES:

1. LOCATE POLARITY OF BATTERIES FOR PROPER ORIENTATION DURING INSTALLATION.
2. FLOOR MOUNTING (ANCHOR) BOLTS ARE NOT FURNISHED.
3. INSTALLATION ANCHOR BOLT SIZE AND TYPE ARE TO BE DETERMINED BY USER IN ACCORDANCE WITH BUILDING CODES APPLICABLE TO THE ARRANGEMENT DESCRIBED ON THIS DRAWING.
4. REFERENCE INSTALLATION MANUAL RS02044 FOR: CONNECTOR TORQUE VALUES, MODULE TO MODULE CONNECTIONS & FACEPLATE MOUNTING DETAILS.
5. CONNECTORS ARE SIZED TO LESS THAN 30mV DROP AT 723.2 AMPS (2 HOUR RATE TO 1.75 VPC).

<small>UNLESS OTHERWISE SPECIFIED DIMENSIONS ARE IN INCHES &amp; TOLERANCES ARE:</small> FINISH: 12" THIRD ANGLE PROJECTION MATERIAL: SEE BOM ABOVE PER: SPEC:	<small>DATE</small> 8/20/14 <small>DRAWN BY</small> M. NEESE <small>CHECKED BY</small> [Signature] <small>DATE</small> 8/20/14 <small>APPROVED BY</small> [Signature] <small>DATE</small> 8/25/14	<small>ALL SHEETS ARE THE SAME REVISION STATUS</small> <b>CAD TECHNOLOGIES, INC.</b> 1400 UNION MEETING, BLUE BELL, PA 19422-0588 www.cad360.com TITLE: CONNECTION DIAGRAM 48V 4X6 AT-35P SIZE: D CASE CODE: E3546024CE01 DRAWING NUMBER: 0 REVISION: 0 SCALE: NTS SHEET 1 OF 1
--	--	---