

NOTICE: THIS DRAWING AND THE INFORMATION DISCLOSED ON IT ARE CONFIDENTIAL AND PROPRIETARY TO CAD TECHNOLOGIES, INC. AND MAY BE REPRODUCED, REVERSE ENGINEERED, USED OR DISCLOSED BY OR TO ANY PERSON OR PARTY OUTSIDE OF THE COMPANY IN ANY MANNER WITHOUT THE WRITTEN PERMISSION OF A DULY AUTHORIZED EMPLOYEE OF THE COMPANY. Copyright © 2001

ECN14003

REVISION HISTORY						
ZONE	REV	DESCRIPTION	CHK'D	REV'D	DATE	APPROVED

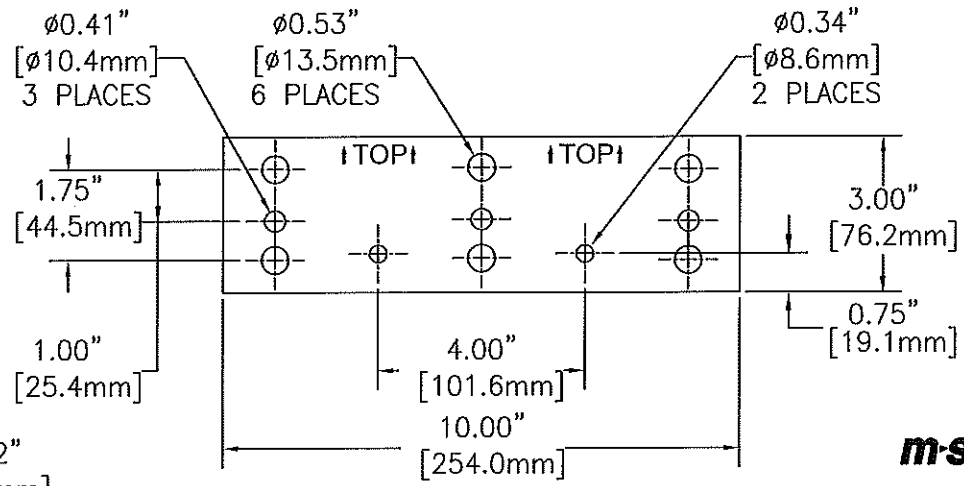
24 VOLT SYSTEM (12) AT-35P CELLS

APPROX. SYSTEM WEIGHT: 3,895 LBS [1,766.7 kg]
FLOOR CONTACT AREA: 111.37 SQ. IN. [71,851 mm²]

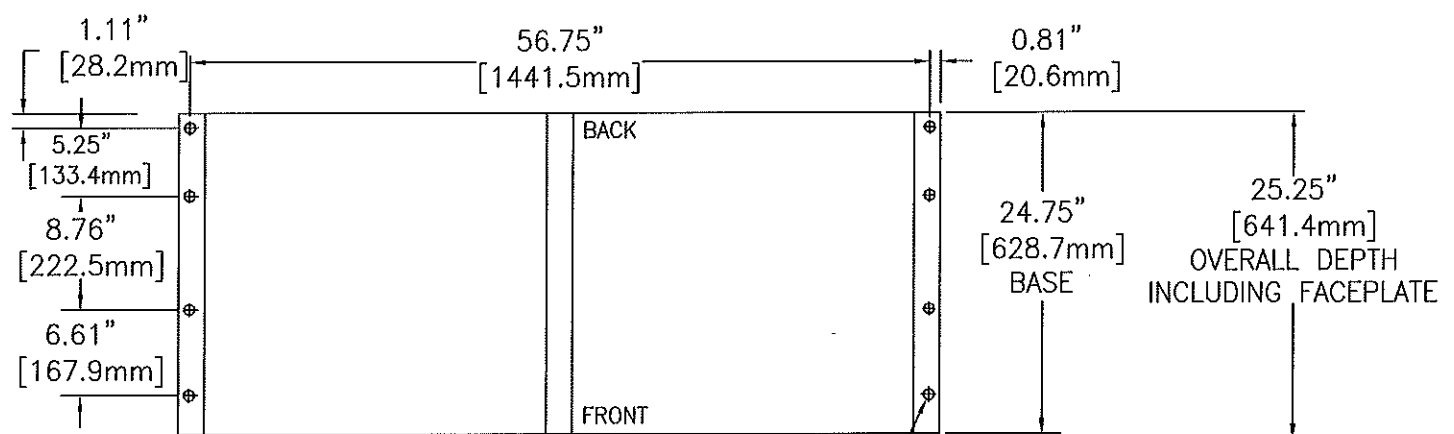
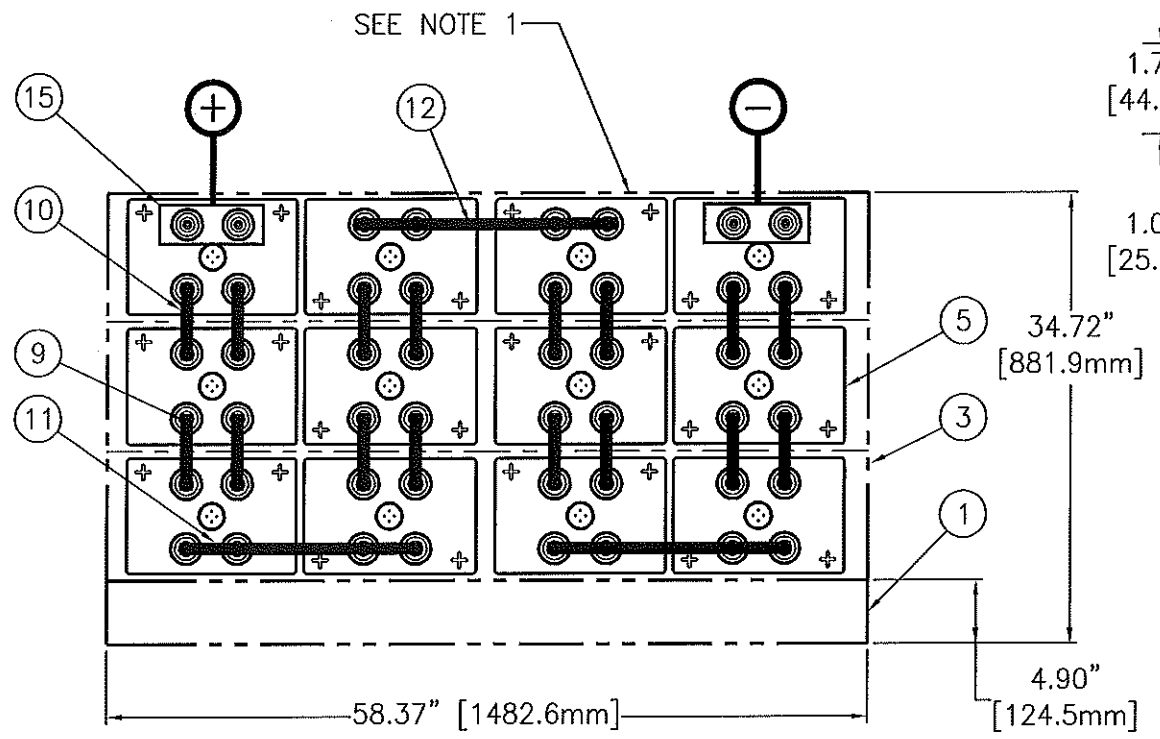


SYSTEM NO. E3543012CE01

20	1	RE04454	ACCESSORY KIT (J29536)
19			
18			
17			
16			
15	2	PT00959T	TERMINAL PLATE (M15923)
14			
13			
12	1	PK04337T	CONNECTOR 1.00 x 18.65 x 0.38
11	2	PK04336T	CONNECTOR 1.00 x 18.47 x 0.38
10	16	PK04325T	CONNECTOR 1.00 x 5.96 x 0.19
9	2	HDWR-R11	HARDWARE KIT, CONNECTOR
9.1	48	PB00327	BOLT, HEX 5/16-18 x 1.25 S.S.
9.2	48	PH01700	WASHER, FLAT S.S.
8	3	PH04006-58	FACEPLATE (K11056)
7	4	HDWR-R13	HARDWARE KIT, FACEPLATE (J29535)
5	12	CW18352	CELL (N03375)
3	3	RDO4496-58H	MODULE ASSEMBLY KIT (M14111)
1	1	RDO4407-58A	BASE ASSEMBLY KIT (M14028)
ITEM	QTY	PART NO.	DESCRIPTION



TERMINAL PLATE DETAIL
PART NO. PT00959T



FLOOR MOUNTING DETAIL

Ø0.81" [Ø20.6mm]
8 PLACES

- NOTES:
1. LOCATE POLARITY OF BATTERIES FOR PROPER ORIENTATION DURING INSTALLATION.
 2. FLOOR MOUNTING (ANCHOR) BOLTS ARE NOT FURNISHED.
 3. INSTALLATION ANCHOR BOLT SIZE & TYPE ARE TO BE DETERMINED BY USER IN ACCORDANCE WITH BUILDING CODES APPLICABLE TO THE ARRANGEMENT DESCRIBED ON THIS DRAWING.
 4. REFERENCE INSTALLATION MANUAL RS02044 FOR: CONNECTOR TORQUE VALUES, MODULE TO MODULE CONNECTIONS & FACEPLATE MOUNTING DETAILS.
 5. CONNECTORS ARE SIZED TO LESS THAN 30mV DROP AT 723.2 AMPS (2 HOUR RATE TO 1.75 VPC).

ALL SHEETS ARE THE SAME REVISION STATUS

CD TECHNOLOGIES, INC.
1400 UNION MEETING, BLUE BELL, PA 19422-0588
www.cdtrvo.com

DATE: 9/3/14
DRAWN BY: M. NEESE
CHECKED BY: [Signature]
DATE: 9/17/14
APPROVED BY: [Signature]
DATE: 9/18/14

THIRD ANGLE PROJECTION

SEE BOM ABOVE

SCALE: NTS

FILE: E3543012CE01

SHEET 1 OF 1

CONNECTION DIAGRAM
24V 4X3 AT-35P

SIZE: D
CASE CODE: E3543012CE01
DRAWING NUMBER: 0