

NOTICE: THIS DRAWING AND THE INFORMATION DISCLOSED ON IT ARE CONFIDENTIAL AND PROPRIETARY TO CAD TECHNOLOGIES, INC. AND MAY NOT BE REPRODUCED, COPIED, USED OR DISCLOSED BY OR TO ANY PERSON OR PARTY OUTSIDE OF THE COMPANY IN ANY MANNER WITHOUT THE WRITTEN PERMISSION OF A DULY AUTHORIZED EMPLOYEE OF THE COMPANY. Copyright © 2014

ECH14000

REVISION HISTORY						
ZONE	REV	DESCRIPTION	ECN#	REV'D	CHK'D	DATE

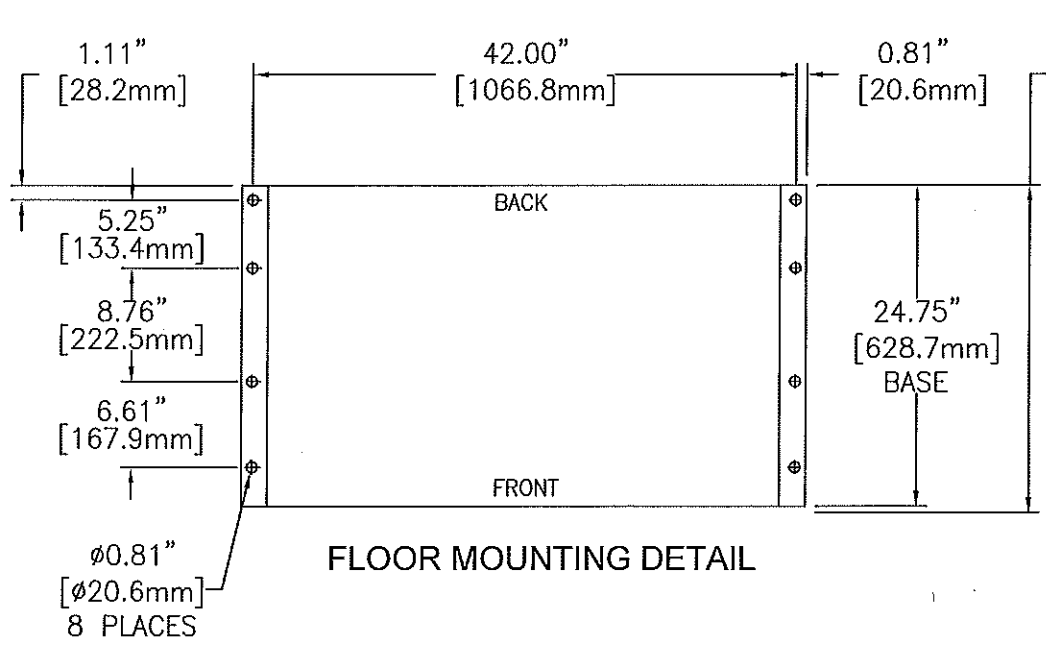
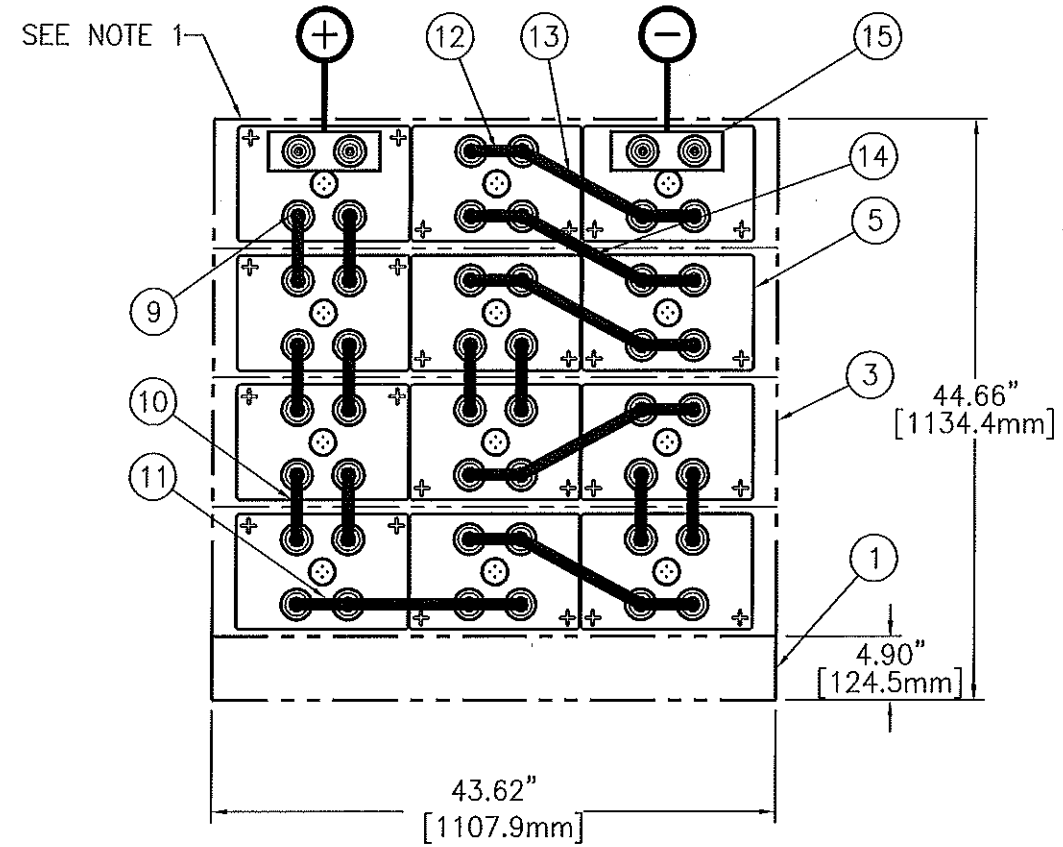
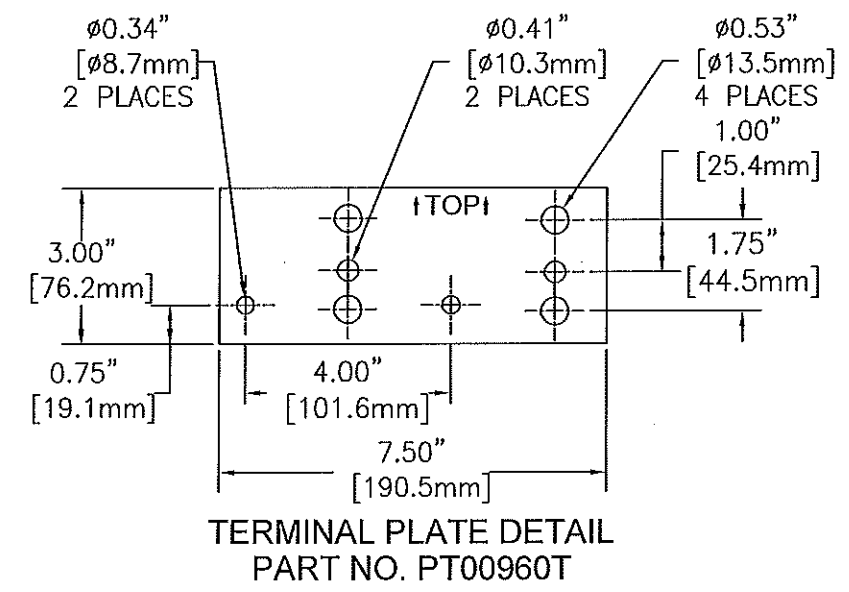
24 VOLT SYSTEM (12) AT-35P CELLS

APPROX. SYSTEM WEIGHT: 3,800 LBS [1,723.7 kg]
FLOOR CONTACT AREA: 74.25 SQ. IN. [47,903 mm²]



SYSTEM NO. E3534012CE01

20	1	RE04454	ACCESSORY KIT (J29536)
19			
18			
17			
16			
15	2	PT00960T	TERMINAL PLATE (M15923)
14	1	PK04331T	CONNECTOR 1.00 x 11.55 x 0.38
13	4	PK04332T	CONNECTOR 1.00 x 11.60 x 0.38
12	10	PK04330T	CONNECTOR 1.00 x 5.00 x 0.25
11	1	PK04336T	CONNECTOR 1.00 x 18.47 x 0.38
10	10	PK04325T	CONNECTOR 1.00 x 5.96 x 0.19
9	2	HDWR-R11	HARDWARE KIT, CONNECTOR
9.1	48	PB00327	BOLT, HEX 5/16-18 x 1.25 S.S.
9.2	48	PH01700	WASHER, FLAT S.S.
8	4	PH04006-43	FACEPLATE (K11056)
7	5	HDWR-R13	HARDWARE KIT, FACEPLATE (J29535)
5	12	CW18352	CELL (N03375)
3	4	RD04496-43H	MODULE ASSEMBLY KIT (M14111)
1	1	RD04407-43A	BASE ASSEMBLY KIT (M14028)
ITEM	QTY	PART NO.	DESCRIPTION



25.25" [641.4mm]
OVERALL DEPTH INCLUDING FACEPLATE

- NOTES:
1. LOCATE POLARITY OF BATTERIES FOR PROPER ORIENTATION DURING INSTALLATION.
 2. FLOOR MOUNTING (ANCHOR) BOLTS ARE NOT FURNISHED.
 3. INSTALLATION ANCHOR BOLT SIZE & TYPE ARE TO BE DETERMINED BY USER IN ACCORDANCE WITH BUILDING CODES APPLICABLE TO THE ARRANGEMENT DESCRIBED ON THIS DRAWING.
 4. REFERENCE INSTALLATION MANUAL RS02044 FOR: CONNECTOR TORQUE VALUES, MODULE TO MODULE CONNECTIONS & FACEPLATE MOUNTING DETAILS.
 5. CONNECTORS ARE SIZED TO LESS THAN 30mV DROP AT 723.2 AMPS (2 HOUR RATE TO 1.75 VPC).

<small>UNLESS OTHERWISE SPECIFIED DIMENSIONS ARE IN INCHES & TOLERANCES ON DIMENSIONS ARE:</small> FINISH: X IN. XXXX TOLERANCE: ±0.005 THRU ANGLE PROJECTION MATERIAL: SEE BOM ABOVE PER: SPEC:	<small>DATE</small> 8/28/14 <small>DRWEN</small> M. NEESE <small>CHECKED</small> J. ROEHLER <small>APPROVED</small> J. ROEHLER <small>APPROVED</small> J. ROEHLER	<small>ALL SHEETS ARE THE SAME REVISION STATUS</small> CAD TECHNOLOGIES, INC. 1400 UNION MEETING, BLUE BELL, PA 19422-0588 www.cadtech.com CONNECTION DIAGRAM 24V 3X4 AT-35P SIZE: D CASE CODE: DRAWING NUMBER: E3534012CE01 REVISION: 0 SCALE: NTS SHEET 1 OF 1
---	---	---