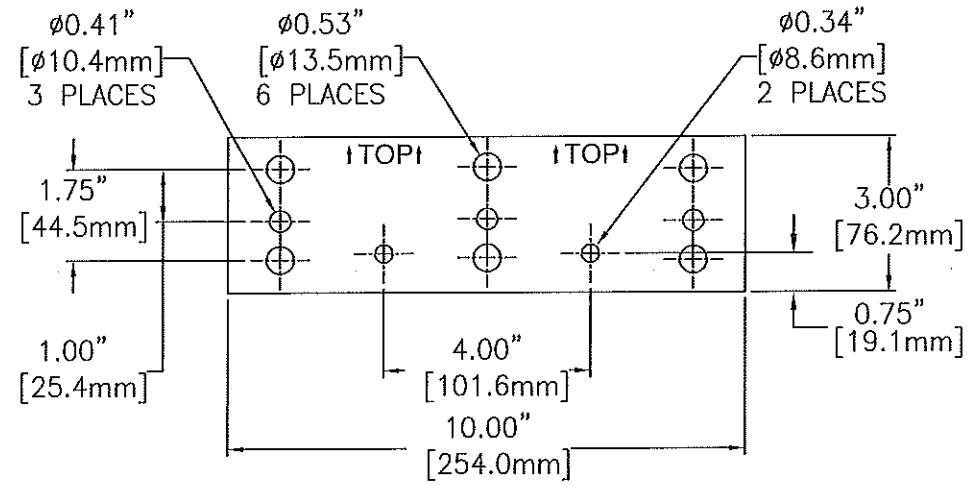
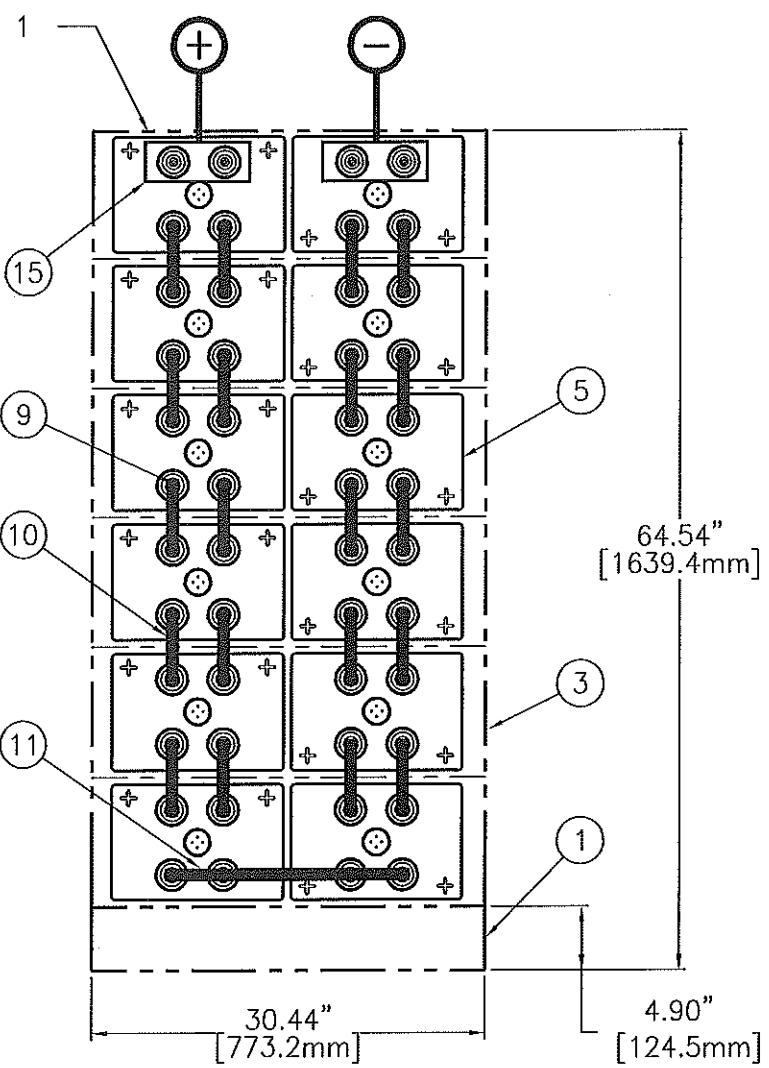


NOTICE: THIS DRAWING AND THE INFORMATION DISCLOSED ON IT ARE CONFIDENTIAL AND PROPRIETARY TO GAD TECHNOLOGIES, INC. AND MAY NOT BE REPRODUCED, COPIED, OR DISCLOSED BY OR TO ANY PERSON OR PARTY OUTSIDE OF THE COMPANY IN ANY MANNER WITHOUT THE WRITTEN PERMISSION OF A DULY AUTHORIZED EMPLOYEE OF THE COMPANY. Copyright © 2004

ECN14003

REVISION HISTORY						
ZONE	REV	DESCRIPTION	ECN#	REV'D	CHK'D	DATE

SEE NOTE 1



TERMINAL PLATE DETAIL
PART NO. PT00959T

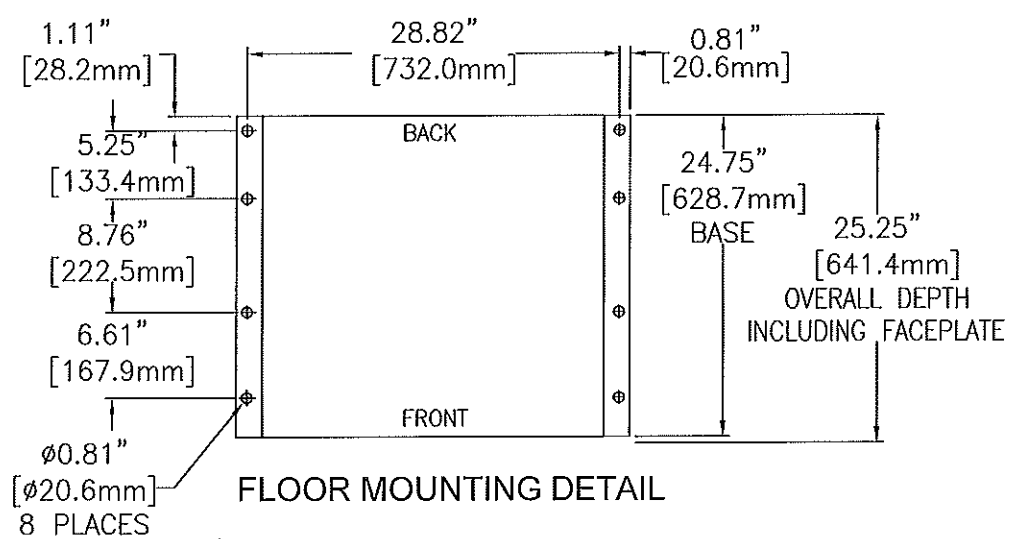
**24 VOLT SYSTEM
(12) AT-35P CELLS**

APPROX. SYSTEM WEIGHT: 3,845 LBS [1,744.1 kg]
FLOOR CONTACT AREA: 74.25 SQ. IN. [47,903 mm²]



SYSTEM NO. E3526012CE01

20	1	RE04454	ACCESSORY KIT (J29536)
19			
18			
17			
16			
15	2	PT00959T	TERMINAL PLATE (M15923)
14			
13			
12			
11	1	PK04336T	CONNECTOR 1.00 x 18.47 x 0.38
10	20	PK04325T	CONNECTOR 1.00 x 5.96 x 0.19
9	2	HDWR-R11	HARDWARE KIT, CONNECTOR
9.1	48	PB00327	BOLT, HEX 5/16-18 x 1.25 S.S.
9.2	48	PH01700	WASHER, FLAT S.S.
8	6	PH04006-30	FACEPLATE (K11056)
7	7	HDWR-R13	HARDWARE KIT, FACEPLATE (J29535)
5	12	CW18352	CELL (N03375)
3	6	RD04496-30H	MODULE ASSEMBLY KIT (M14111)
1	1	RD04407-30A	BASE ASSEMBLY KIT (M14028)
ITEM	QTY	PART NO.	DESCRIPTION



FLOOR MOUNTING DETAIL

- NOTES:
1. LOCATE POLARITY OF BATTERIES FOR PROPER ORIENTATION DURING INSTALLATION.
 2. FLOOR MOUNTING (ANCHOR) BOLTS ARE NOT FURNISHED.
 3. INSTALLATION ANCHOR BOLT SIZE AND TYPE ARE TO BE DETERMINED BY USER IN ACCORDANCE WITH BUILDING CODES APPLICABLE TO THE ARRANGEMENT DESCRIBED ON THIS DRAWING.
 4. REFERENCE INSTALLATION MANUAL RS02044 FOR: CONNECTOR TORQUE VALUES, MODULE TO MODULE CONNECTIONS & FACEPLATE MOUNTING DETAILS.
 5. CONNECTORS ARE SIZED TO LESS THAN 30mV DROP AT 723.2 AMPS (2 HOUR RATE TO 1.75 VPC).

<small>UNLESS OTHERWISE SPECIFIED DIMENSIONS ARE IN INCHES & TOLERANCES ON DIMENSIONS ARE AS SHOWN</small> X .125 THIS ANGLE PROJECTION MATERIAL SEE BOM ABOVE PER: SPEC:	DRAWN: M. NEESE DATE: 9/3/14 CHECKED: [Signature] DATE: 9/17/14 APPROVED: [Signature] DATE: 9/18/14	ALL SHEETS ARE THE SAME REVISION STATUS GAD TECHNOLOGIES, INC. 1400 UNION MEETING, BLUE BELL, PA 19422-0588 www.gadtech.com TITLE: CONNECTION DIAGRAM 24V 2X6 AT-35P SIZE: D DATE CODE: DRAWING NUMBER: E3526012CE01 REVISION: 0 SCALE: NTS SHEET 1 OF 1 12/2000
---	--	---