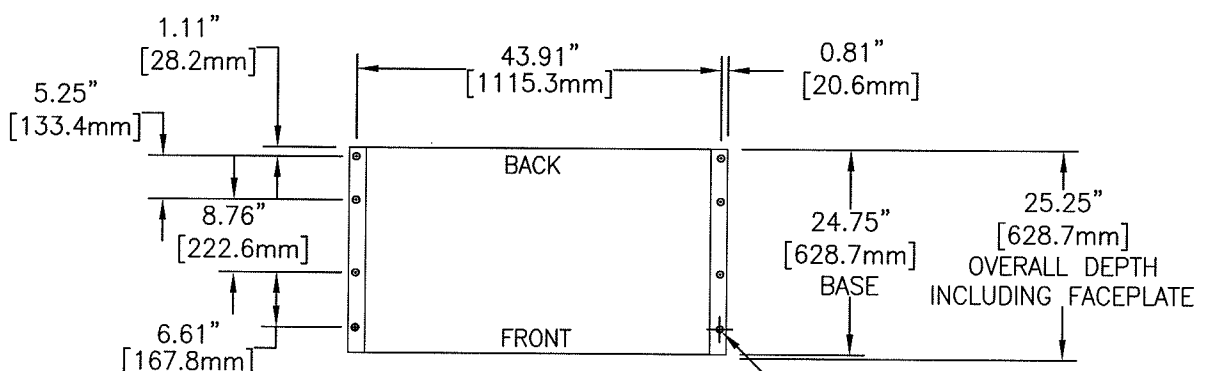
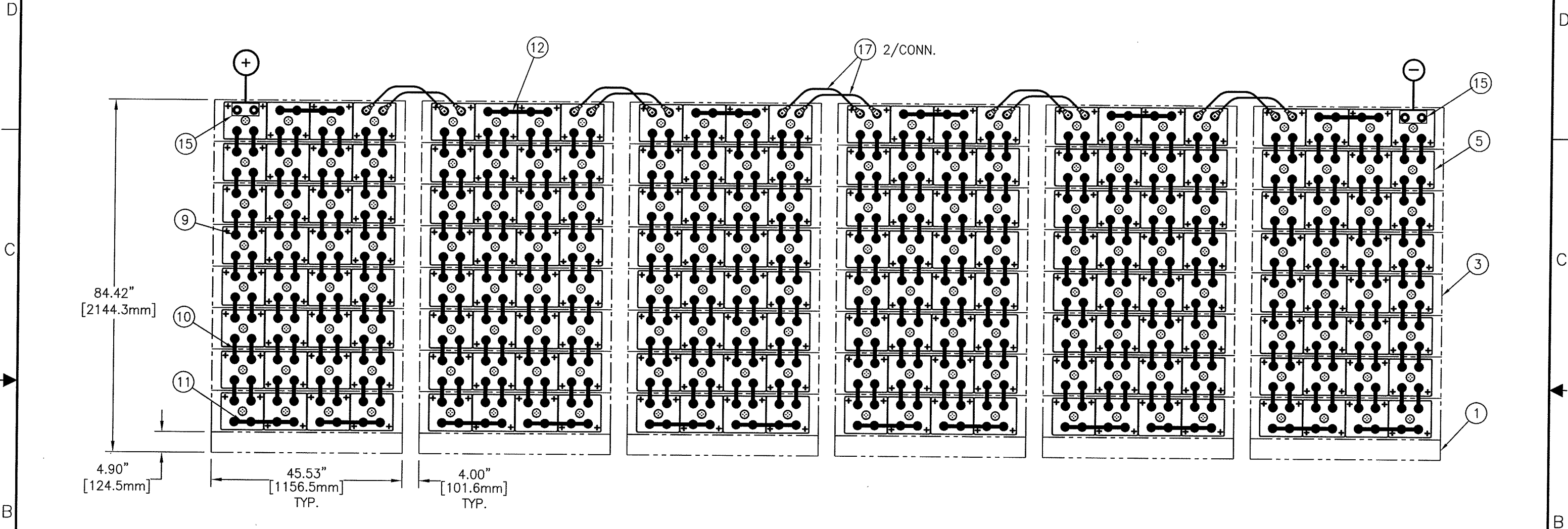


NOTICE: THIS PRINT AND THE INFORMATION SHOWN THEREON IS THE PROPERTY OF CMO TECHNOLOGIES, INC. AND IS BEING FURNISHED AS A CONFIDENTIAL DISCLOSURE. IT MAY NOT BE REPRODUCED OR TRANSMITTED IN ANY FORM OR BY ANY MEANS, ELECTRONIC OR MECHANICAL, INCLUDING PHOTOCOPYING, RECORDING, OR BY ANY INFORMATION STORAGE AND RETRIEVAL SYSTEM, WITHOUT THE WRITTEN APPROVAL OF CMO TECHNOLOGIES, INC.

ECN#12344

REVISION HISTORY						
ZONE	REV	DESCRIPTION	ECN#	REV'D	CHK'D	DATE



FLOOR MOUNTING DETAIL
 $\phi 0.81"$
 [20.6mm]
 8 PLACES

- NOTES:
1. LOCATE POLARITY OF BATTERIES FOR PROPER ORIENTATION DURING INSTALLATION.
 2. FLOOR MOUNTING (ANCHOR) BOLTS ARE NOT FURNISHED.
 3. INSTALLATION ANCHOR BOLT SIZE AND TYPE ARE TO BE DETERMINED BY USER IN ACCORDANCE WITH BUILDING CODES APPLICABLE TO THE ARRANGEMENT DESCRIBED ON THIS DRAWING.
 4. REFERENCE INSTALLATION MANUAL RS02044 FOR: CONNECTOR TORQUE VALUES, MODULE TO MODULE CONNECTIONS & FACEPLATE MOUNTING DETAILS.
 5. CONNECTORS AND CABLES ARE SIZED TO THE 15 MIN RATE TO 1.67 FINAL VPC AT 1789.1 AMPS. CONNECTORS RESULT IN <30mV DROP AND CABLES RESULT IN <100mV DROP.

UNLESS OTHERWISE SPECIFIED DIMENSIONS ARE IN INCHES & TOLERANCES ARE:		DRAWN C.H. HOUSTON	DATE 12/29/08	<p>1400 UNION MEETING, BLUE BELL, PA 19422-0588 www.cmo.com</p>
FINISHES	ANGLES	CHECKED 1/13/09	APPROVED 1/13/09	
THIRD ANGLE PROJECTION		MATERIAL		<p>TITLE CONNECTION DIAGRAM 384V 4X8 AT-29P</p> <p>SIZE D CASE CODE E2948192CE01</p> <p>SCALE N.T.S.</p>
FILE: E2948192CE01A		SHEET 1 OF 2		<p>12/2000</p>

NOTICE: THIS PRINT AND THE INFORMATION SHOWN THEREON IS THE PROPERTY OF CAD TECHNOLOGIES, INC. AND IS BEING FURNISHED AS A CONFIDENTIAL DISCOVERY. IT MAY NOT BE DELIVERED TO OTHERS NOR REPRODUCED FOR THE GENERAL CIRCULATION WITHOUT THE WRITTEN APPROVAL OF CAD TECHNOLOGIES, INC.

ECN#12344

REVISION HISTORY						
ZONE	REV	DESCRIPTION	ECN#	REV'D	CHK'D	DATE

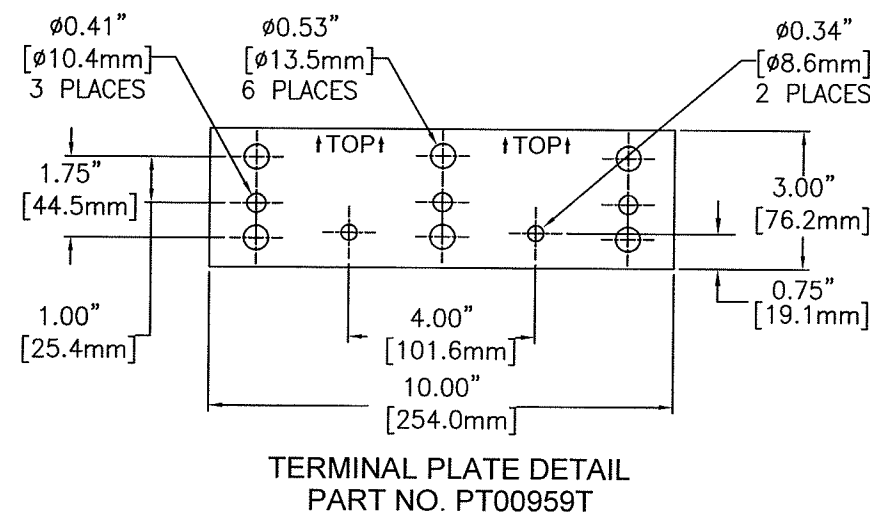
384 VOLT SYSTEM (192) AT-29P CELLS

APPROX. SYSTEM WEIGHT: 49,430 LBS [22421.1 kg]
FLOOR CONTACT AREA: 445.5 SQ. IN. [287,418 mm²]



SYSTEM NO. E2948192CE01

20	1	RE04455-240	ACCESSORY KIT (J29537)
19			
18			
17	20	RA02250-21	4/0 CABLE 21" LONG
16			
15	2	PT00959T	TERMINAL PLATE (M15923)
14			
13			
12	6	PK04291T	CONNECTOR 2.00 x 15.45 x 0.25
11	12	PK04290T	CONNECTOR 2.00 x 15.25 x 0.25
10	336	PK04097T	CONNECTOR 1.50 x 5.96 x 0.12
9	31	HDWR-R11	HARDWARE KIT, CONNECTOR
9.1	768	PB00327	BOLT, HEX 5/16-18 x 1.25 S.S
9.2	768	PH01700	WASHER, FLAT S.S.
8	48	PH04006-45	FACEPLATE (K11056)
7	54	HDWR-R13	HARDWARE KIT, FACEPLATE (J29535)
5	192	CW18152	CELL (N03375)
3	48	RD04496P-45G	MODULE ASSEMBLY KIT (M14111)
1	6	RD04407-45A	BASE ASSEMBLY KIT (M14028)
ITEM	QTY	PART NO.	DESCRIPTION



UNLESS OTHERWISE SPECIFIED DIMENSIONS ARE IN INCHES & TOLERANCES ARE:		DRAWN C.H. HOUSTON	DATE 12/29/08	<p>1400 UNION MEETING, BLUE BELL, PA 19422-0588 www.cadtech.com</p>
X	XX	XXX	ANGLES	
THIRD ANGLE PROJECTION		CHECKED 1/12/09	APPROVED 1/13/09	TITLE CONNECTION DIAGRAM 384V 4X8 AT-29P
SEE BOM ABOVE				SIZE D
FILE: E2948192CE01B		SCALE N.T.S.		DRAWING NUMBER E2948192CE01
		SHEET 2 OF 2		REVISION 0