

NOTICE: THIS DRAWING AND THE INFORMATION DISCLOSED ON IT ARE CONFIDENTIAL AND PROPRIETARY TO CSD TECHNOLOGIES, INC. AND MAY NOT BE REPRODUCED, COPIED OR DISCLOSED BY OR TO ANY PERSON OR PARTY OUTSIDE OF THE COMPANY IN ANY WAY WITHOUT THE WRITTEN PERMISSION OF A DULY AUTHORIZED EMPLOYEE OF THE COMPANY. Copyright © 2004

ECN #12850

REVISION HISTORY							
ZONE	REV	DESCRIPTION	ECH#	REV'D	CHK'D	DATE	APPROVED

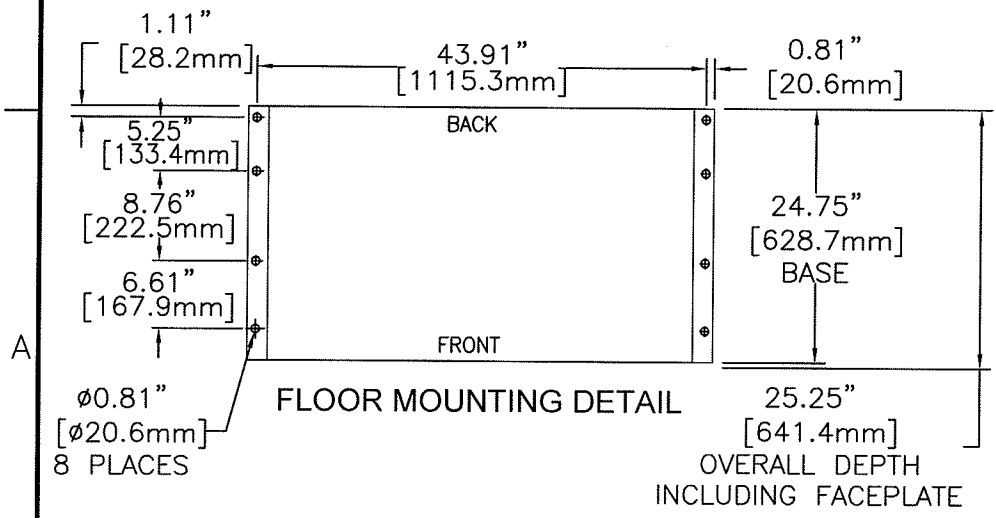
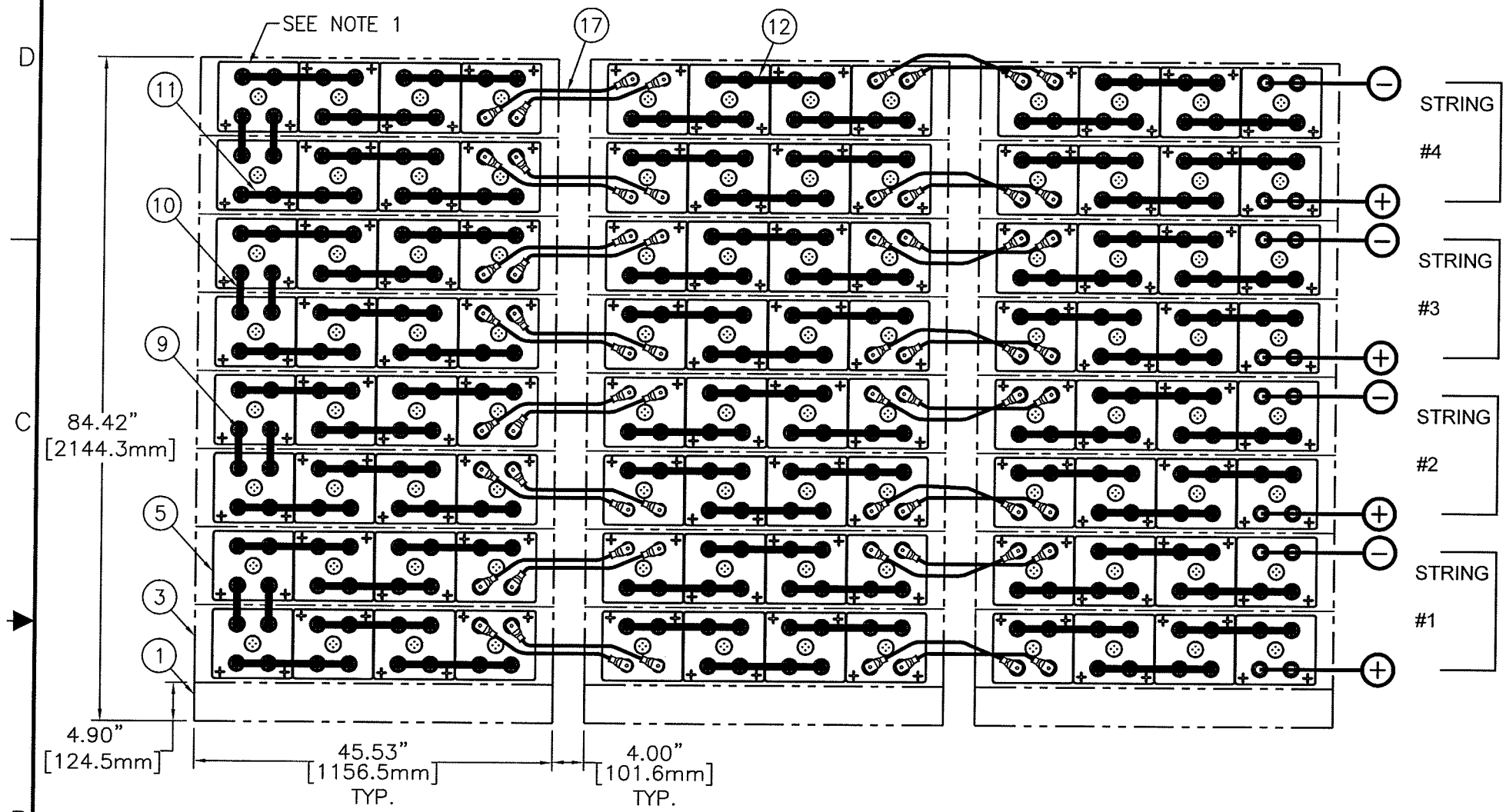
48 VOLT SYSTEM (4) STRINGS OF (24) AT-29P CELLS

APPROX. SYSTEM WEIGHT: 24,715 LBS [11,210.5 kg]
FLOOR CONTACT AREA: 222.75 SQ. IN. [143,709 mm²]



SYSTEM NO. E2948096SE01

20	4	RE04454	ACCESSORY KIT (J29536)
19			
18			
17	32	RA02250-21	4/0 CABLE 21" LONG
16			
15			
14			
13			
12	24	PK04335T	CONNECTOR 1.00 x 15.45 x 0.25
11	48	PK04334T	CONNECTOR 1.00 x 15.25 x 0.25
10	8	PK04325T	CONNECTOR 1.00 x 5.96 x 0.19
9	16	HDWR-R11	HARDWARE KIT, CONNECTOR
9.1	384	PB00327	BOLT, HEX 5/16-18 x 1.25 S.S
9.2	384	PH01700	WASHER, FLAT S.S.
8	24	PH04006-45	FACEPLATE (K11056)
7	27	HDWR-R13	HARDWARE KIT, FACEPLATE (J29535)
5	96	CW18152	CELL (N03375)
3	24	RD04496-45G	MODULE ASSEMBLY KIT (M14111)
1	3	RD04407-45A	BASE ASSEMBLY KIT (M14028)
ITEM	QTY	PART NO.	DESCRIPTION



- NOTES:
- LOCATE POLARITY OF BATTERIES FOR PROPER ORIENTATION DURING INSTALLATION.
 - FLOOR MOUNTING (ANCHOR) BOLTS ARE NOT FURNISHED.
 - INSTALLATION ANCHOR BOLT SIZE AND TYPE ARE TO BE DETERMINED BY USER IN ACCORDANCE WITH BUILDING CODES APPLICABLE TO THE ARRANGEMENT DESCRIBED ON THIS DRAWING.
 - REFERENCE INSTALLATION MANUAL RS02044 FOR: CONNECTOR TORQUE VALUES, MODULE TO MODULE CONNECTIONS & FACEPLATE MOUNTING DETAILS.
 - CONNECTORS AND CABLES ARE SIZED TO THE 2 HR RATE TO 1.75 FINAL VPC AT 572.7 AMPS. CONNECTORS RESULT IN <30mV DROP AND CABLES RESULT IN <100mV DROP.
 - TERMINAL PLATES OR OPTIONAL TERMINAL ASSEMBLIES MUST BE ORDERED SEPARATELY.

UNLESS OTHERWISE SPECIFIED DIMENSIONS ARE IN INCHES. TOLERANCES ARE:		DATE	ALL SHEETS ARE THE SAME REVISION STATUS	
FRONT VIEW	DRW. D. SPOCK	1/6/11	CSD TECHNOLOGIES, INC.	
THIRD ANGLE PROJECTION	APPROVED	1/11/11	1400 UNION MEETING, BLUE BELL, PA 19422-0588	
APPROVED	APPROVED	1/24/11	www.csdtechno.com	
TITLE		CONNECTION DIAGRAM (4) 48V 4X8 AT-29P		
SIZE		DRWING NUMBER	REVISION	
D		E2948096SE01	0	
FILE: E2948096SE01		SCALE NTS	SHEET 1 OF 1	